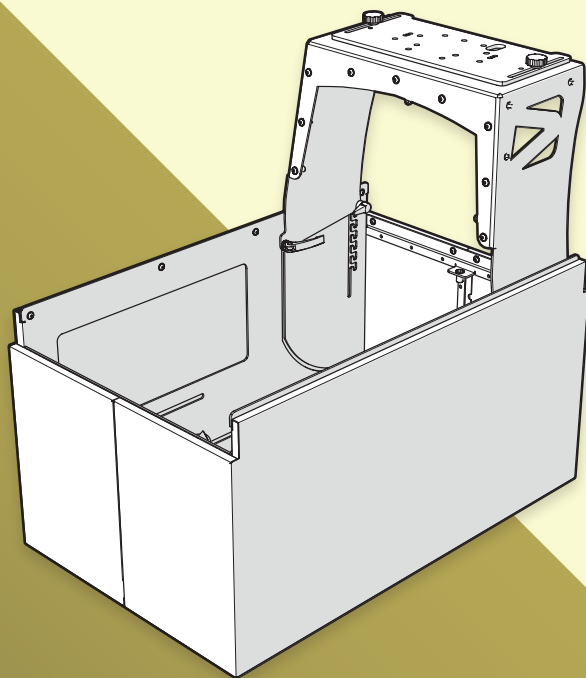


CoffeeRacer 'Play'

USER MANUAL



*Coffeera*cer
Everybody wins

Table of contents

1	Introduction	3	5	Use	19
1.1	Symbols in this manual	3	5.1	Before use	19
1.2	Contact details	3	5.1.1	Folding up the bridge	19
			5.1.2	Setting the pedals	20
2	Description	4	5.1.3	Hook on the desk chair mount (optional)	20
2.1	Design and function	4	5.2	Using the CoffeeRacer	22
2.2	Main parts	4	5.3	After use	22
2.3	Specifications	4	5.3.1	Unhook the chair mount (optional)	22
2.4	Warranty	5	5.3.2	Storing the pedals	23
			5.3.3	Folding down the bridge	24
3	Safety	6	5.3.4	Putting away the CoffeeRacer	24
4	Installation	6	6	Troubleshooting	25
4.1	Delivery	7			
4.2	Assembly	7	7	Disposal	25
4.2.1	Installing the gusset	8			
4.2.2	Installing the pedals	9	8	Appendix I – Warranty	26
4.2.3	Installing the steering wheel	11			
4.2.4	Installing the side panels	12	9	Appendix II – Compatibility	27
4.2.5	Installing the castors	14			
4.2.6	Installing the adapter box	14			
4.2.7	Feeding the cables	15			
4.2.8	Installing the desk chair mount (optional)	16			
4.2.9	Finalising the installation	18			

1 Introduction

This manual contains instructions and safety information for the installation and use of the CoffeeRacer 'Play' and its accessories. Store this manual with the CoffeeRacer.

1.1 SYMBOLS IN THIS MANUAL

This manual contains safety instructions. Ignoring these instructions may lead to injury or damage to the appliance. Each safety instruction is indicated with a signal word.

⚠ CAUTION

This symbol indicates a hazardous situation which, if not avoided, could result in minor or moderate injury.

NOTICE

This symbol indicates a situation which, if not avoided, could result in damage to the product.

Other symbols in this manual do not refer to safety.

i This symbol indicates information that might be useful to some users.

1.2 CONTACT DETAILS

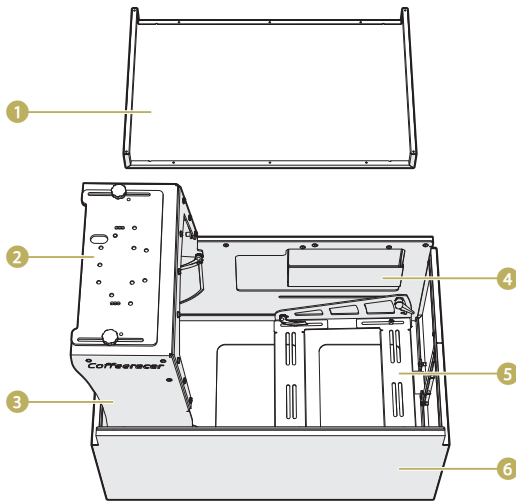
Manufacturer	CoffeeRacer
E-mail	info@CoffeeRacer.com
Website	CoffeeRacer.com

2 Description

2.1 DESIGN AND FUNCTION

The CoffeeRacer 'Play' is a high end racing solution for those who make the most of their space. The CoffeeRacer is designed to hold entry level to semi-professional racing wheels and pedals. The CoffeeRacer can fold away inside the box to stay out of sight. The racing wheel and pedals can stay connected to the computer. The wheels underneath the CoffeeRacer allow for manoeuvrability.

2.2 MAIN PARTS



- | | |
|-------------------|---------------------|
| 1 Lid | 4 Adapter box |
| 2 Wheelbase plate | 5 Pedal plates |
| 3 Bridge | 6 Frame with panels |

2.3 SPECIFICATIONS

Storage appearance	File cabinet, side table
Envisioned use	PC racing, office / playroom
Seat	Desk chair, Couch & lounge chair
Direct Drive wheelbases	Yes, up to Simucube sport 2 (17NM)

Load cell brakes capability	Locked wheels: low force Rubber feet: Medium force Desk chair mount: High force
Handbrake / shifter	Optional mount
Cable management	Out the bottom, stays connected when stored
Mobility	Rolls across the floor, Lockable wheels
Size (D x W x H)	76 x 48 x 42 cm
Height wheelbase	Rubber feet: 61 till 73 cm Wheels: From 66 till 78 cm
Wheelbase depth adjustability	12 cm
Pedal plate depth	13 till 40 cm
Pedal plate inclination	0 to 20 degrees
Weight	45 kg, steel
Frame	3 mm steel
Bridge & pedal plate	3 mm steel
Wheelbase plate	6 mm steel
Bottom plate	None, bare frame. Horizontal use only
Cover	1,25 mm Steel
Fixings/clamps	Clamping levers
Exterior colour	Black Metallic / White metallic Textured powder coating
Interior colour	Black metallic Textured powder coating
Feet	M10 Lockable Wheels
Shipment	Box 27 kg + box 21 kg
Assembly	Home, bolted

2.4 WARRANTY

The terms and conditions that apply to the CoffeeRacer can be found in Appendix I.

3 Safety

⚠ CAUTION

Risk of injury.

- Metal parts might be sharp.
 - Unpack, assemble, and move with two or more persons (weighs over 40 kg w/out steering wheel).
 - Watch your fingers and fingers of others when adjusting the position of the pedals or folding down the bridge.
 - Watch your fingers when hooking on the desk chair mount.
 - Ensure all fasteners are properly secured before operating the CoffeeRacer.
 - CoffeeRacer is not a toy and should not be operated by children without adult supervision.
-

NOTICE

Wrong handling could damage the CoffeeRacer.

- Do not use sharp objects during unboxing to avoid damaging the powder coating.
 - Make sure the screws go in straight. Do not apply force until the screw is completely in to avoid rethreading.
-

4 Installation

Estimated time for installation: 1 hour

⚠ CAUTION

Risky of injury.

- Unpack, assemble, and move with two or more persons (weighs over 40 kg w/out steering wheel).
-

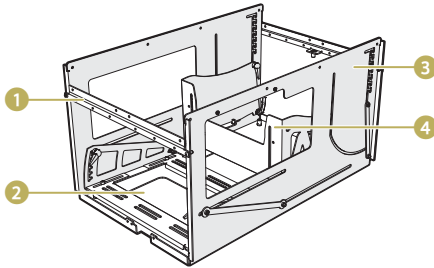
NOTICE

Wrong handling could damage the CoffeeRacer.

- Do not use sharp objects during unboxing to avoid damaging the powder coating.
 - Protect the CoffeeRacer and the environment by assembling on a matt/rug.
 - Make sure the screws go in straight. Do not apply force until the screw is completely in to avoid rethreading.
-

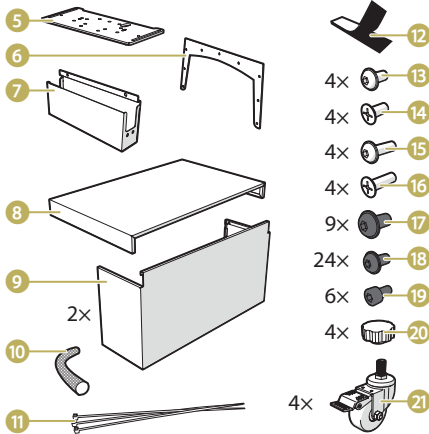
4.1 DELIVERY

The delivery consists of 2 boxes with CoffeeRacer parts. Please check if your delivery is complete.



Box 1:

- 1 Support struts
- 2 Pedal plates
- 3 Frame
- 4 Bridge



Box 2:

- 5 Wheelbase plate
- 6 Gusset
- 7 Adapter box
- 8 Lid
- 9 Side panels
- 10 Cable sock
- 11 Cable ties
- 12 Velcro strip
- 13 Short flange bolts
- 14 Short countersunk bolts
- 15 Long flange bolts
- 16 Long countersunk bolts
- 17 Black flange bolts M6
- 18 Black flange bolts M5
- 19 Black small head bolts
- 20 Thumbscrews
- 21 Castor wheels

4.2 ASSEMBLY

NOTICE

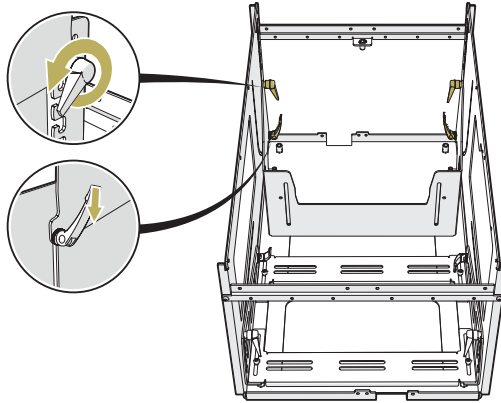
Wrong handling could damage the CoffeeRacer. Protect the CoffeeRacer and the environment by assembling on a matt/rug.

Required tools:

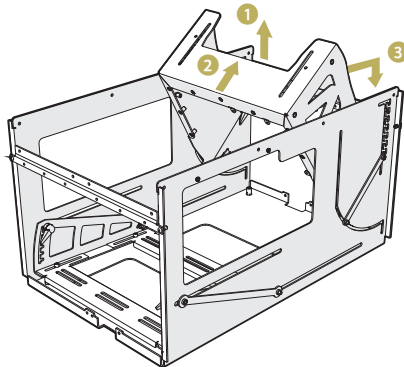
- Ball end hex key 3 mm (included)
- Ball end hex key 4 mm (included)
- Spanner 17 mm (not included)

4.2.1 Installing the gusset

First, fold up the bridge from the frame.

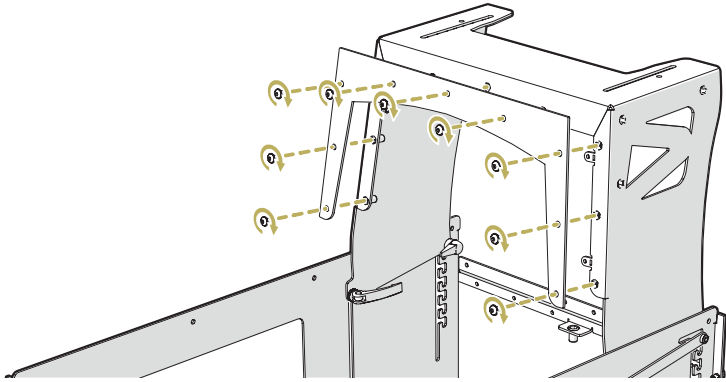


1. Release the four quick releases on the bridge.



2. Pull up the bridge until it cannot go any further.
3. Tilt the bridge upright.
4. Pull up the bridge completely and hook the bridge in racing mode by tilting it rearwards and lowering it.
5. Fasten the bridge with the four quick releases.

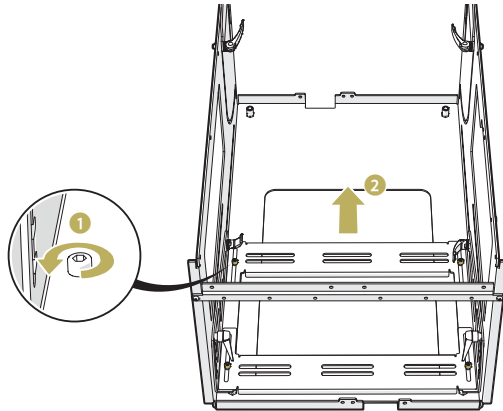
Then mount the gusset on the bridge.



1. Place the gusset in front of the bridge.
- i** You might need some force on the sides of the bridge to align all the holes.
2. Attach the gusset to the bridge with 9 M6 flange bolts.

4.2.2 Installing the pedals

First remove the pedal plate from the frame:

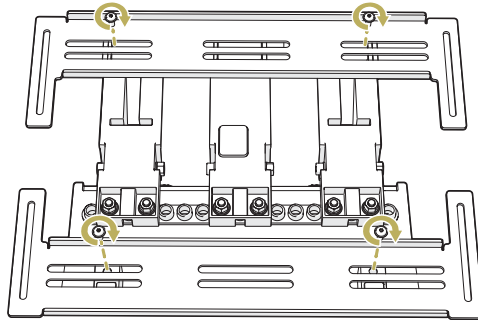


1. Remove the four hex bolts on the pedal plate. Keep the hex bolts nearby.
2. Slide the pedal plate out of the frame.

Then mount the pedal set to the pedal plate:

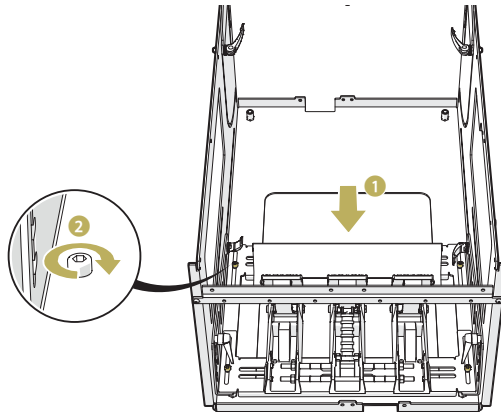
- i** Holes are pre-drilled for most common pedal sets (see Appendix II for a list of tested pedal sets). For some pedal sets, one or both of the pedal plates might need to be flipped.

1. Flip the pedal set upside down.



2. Place the pedal plates upside down on top of the pedal set.
3. Insert the silver flange bolts in the pedal set through the pedal plate.

Finally, mount the pedal plates with the pedal set in the frame:



1. Slide the pedal set into the frame.
2. Mount the pedal plates with the four hex bolts.

4.2.3 Installing the steering wheel

NOTICE

Avoid damage to the wheelbase. Attach the wheelbase to the wheelbase plate with the correct size screws.

Steering wheels with bottom connectors allow cables to feed through the wheelbase plate. Steering wheels with back connectors require routing the cables around the bridge.

i *The steering wheel depicted is an example. Yours may differ.*

Holes are pre-drilled for most common wheels, see Appendix II for a list of tested wheels.

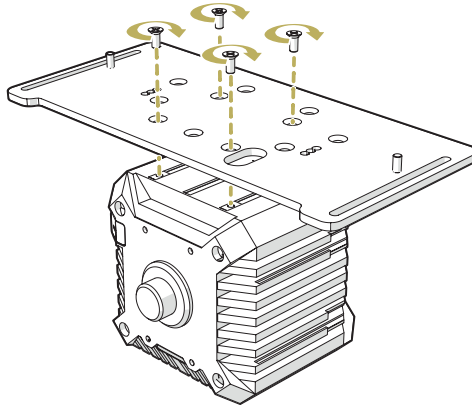
For some wheelbases and pedal sets, additional holes might be required.

First mount the wheelbase to the wheelbase plate.

If your wheel is fitted with bottom connectors, first follow these three steps:

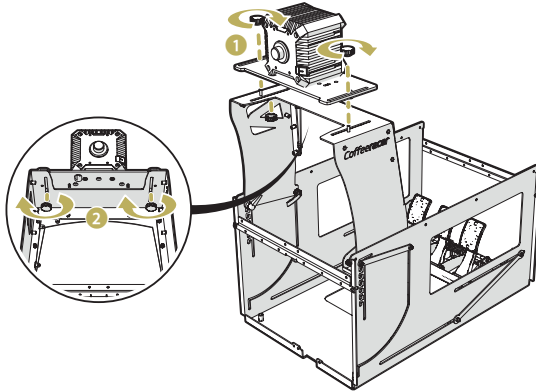
1. Run the cables through the cable sock.
2. Connect all the cables to the wheelbase.
3. Pull the cables through the cable hole in the wheelbase plate. Don not forget to feed the pedal set cable as well and connect it to the wheelbase.

If your wheel is fitted with bottom connectors, continue. If your wheel is fitted with back connectors, start here:



1. Flip the wheelbase upside down.
2. Insert four silver countersunk bolts in the wheelbase through the wheelbase plate.

Finally, mount the wheelbase plate to the bridge:



1. Place the wheelbase plate on the bridge.
2. Insert the two top thumbscrews on the bridge.
3. Insert the two bottom thumbscrews under the bridge.

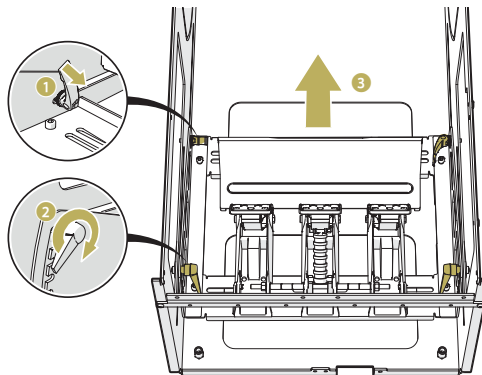
4.2.4 Installing the side panels

NOTICE

The side panels have a tight fit.

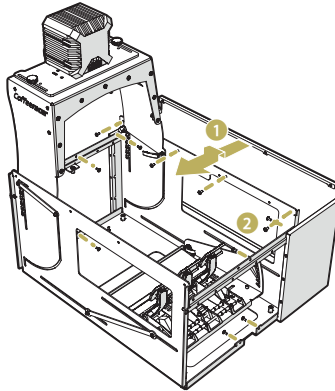
- Do not use force. This could damage the side panels.
- Do not tighten the bolts until they are all in place. Tightening early could warp the side panels.

First, slide the pedal set rearwards to make space.

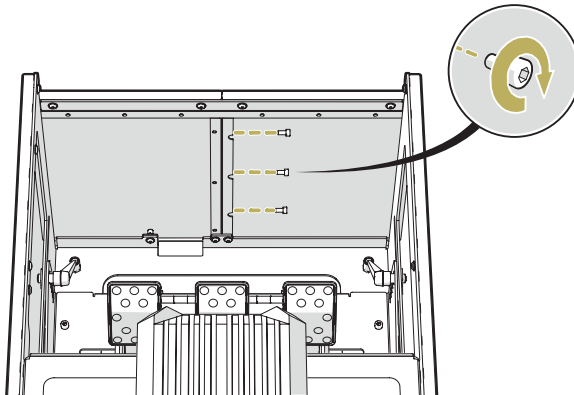


1. Release the four quick releases on the pedal plate.
2. Slide the pedal set rearwards.

Now install the side panels on the frame.



1. Slide the first side panel on the edge of the frame. Lift upwards at the end to hook the panel to the edge of the frame.
2. Secure the first side panel to the frame with 11 black flange bolts. Do not yet fully tighten.
i If you cannot align all the holes, skip these for now and insert them after step 6.
3. Hang the second side panel on the edge of the frame.
4. Secure the second side panel to the frame with 11 black flange bolts. Do not yet fully tighten.



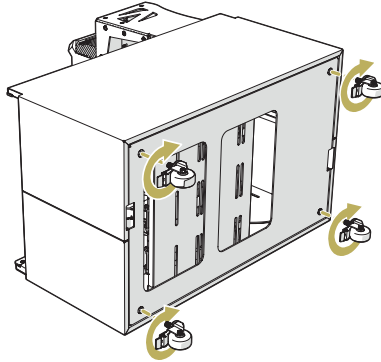
5. Secure the side panels to each other by inserting the black small head bolts in the allocated slots. Fully tighten the bolts with the ball end of the hex key.
6. Repeat step 5 for the opposite side.
7. Fully tighten all the black flange bolts between the side plates and the frame.

4.2.5 Installing the castors

NOTICE

Wrong handling could damage the CoffeeRacer. Protect the CoffeeRacer and the environment by assembling on a matt/rug.

1. Flip the CoffeeRacer on its side.



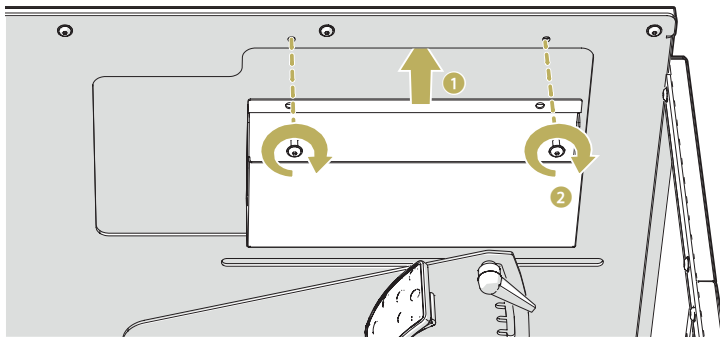
2. Mount the castor wheels to the underside of the frame, using a 17 mm spanner.

NOTICE

Do not overtighten when mounting the castor wheels.

4.2.6 Installing the adapter box

If the adapter is large, put the adapter in the box. Use the Velcro strap to fix the adapter into place. Then install the adapter box on the frame.



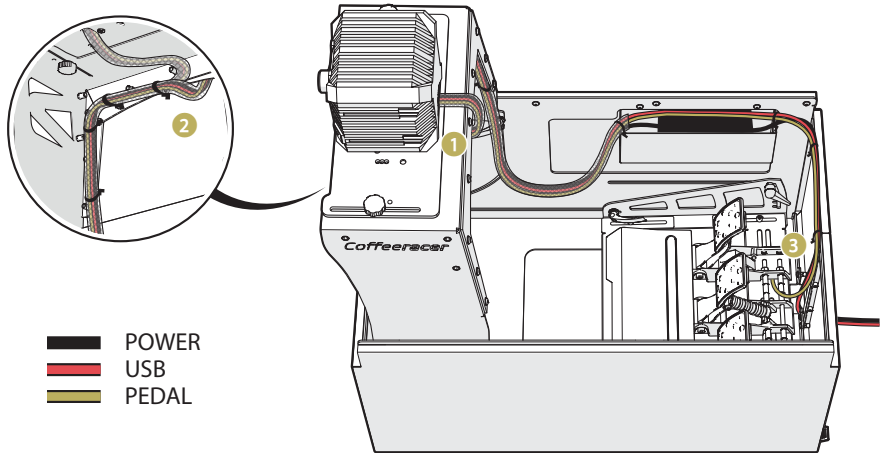
1. Slide the adapter box between the frame and the side panel.
2. Mount the adapter box to the frame with 2 flange bolts.

4.2.7 Feeding the cables

NOTICE

Avoid damage to your racing wheel cables. Leave enough slack on the wires between the adapter box and the bridge so the bridge can move freely.

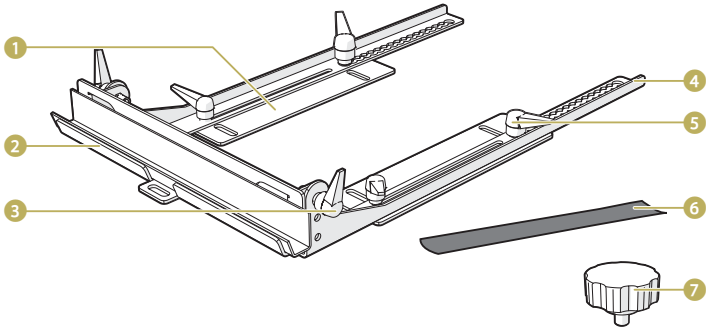
Feed the cables from the wheel towards the output:



1. Lay out the cables of the pedal set and wheelbase.
 - a. Feed the pedal set cable through the adapter box towards the wheelbase.
 - b. Feed the USB cable from the wheelbase through the adapter box to the cable output.
 - c. Feed the power cable from the wheelbase to the adapter in the adapter box.
 - d. Feed the power cable from the adapter to the cable output.
2. Put the cable sock around the USB cable, pedal set cable and power cable coming out of the wheelbase. If your wheel is fitted with bottom connectors, you already installed the cable sock.
3. Feed the cables from the wheel down behind the bridge. If your wheel is fitted with bottom connectors, the cables feed from the bottom of the bridge already.
4. Make sure the adjustment on the wheelbase and pedals are set in the furthest position.
 - a. Make sure the bridge is set in the highest position.
 - b. Make sure the pedal plate is set fully to the front.
 - c. Make sure the wheelbase pale is set fully to the back (towards the driver).
5. Secure the cable sock with cables to the hooks under the bridge with the cable ties.
6. Feed the power cable and USB cable through the cable output towards the power outlet and your gaming device.

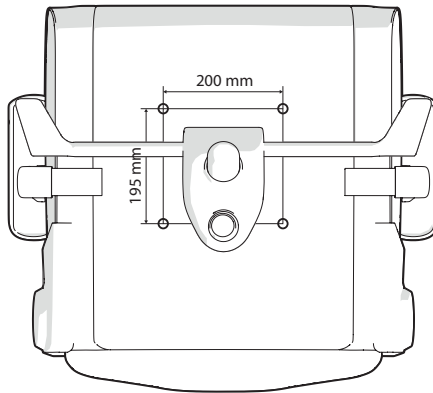
4.2.8 Installing the desk chair mount (optional)

This requires the optional desk chair mount.

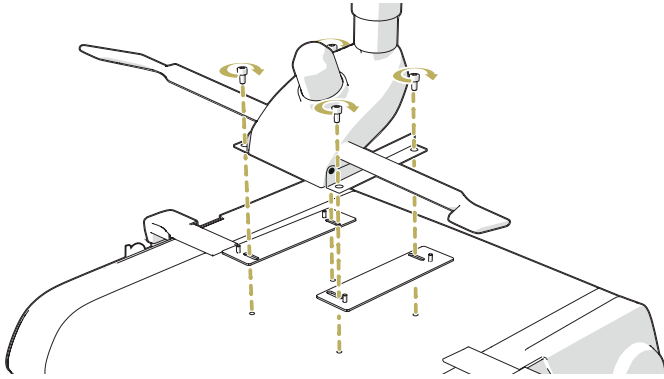


- 1 Mounting plates
- 2 Grabbing bracket
- 3 Male quick release handle
- 4 Arms
- 5 Female quick release handle
- 6 Felt strip

Make sure your desk chair has a flat bottom and the following hole pattern:

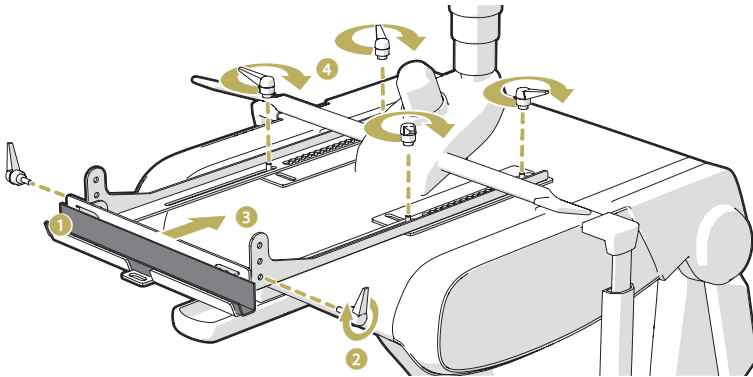


First, secure the mounting plates to the underside of your desk chair.



1. Remove the screws from the underside of your chair.
2. Place the mounting plates between the seat of your chair and the chassis.
3. Reattach the screws through the desk chair mount. Do not fully tighten yet.

Then prepare the arms and grabbing bracket and secure them to the mounting plates.



1. Stick the felt strip inside the grabbing bracket. Cut off any excess material.
2. Secure the arms to the grabbing bracket with the male quick release handles.
3. Slide the arms with the grabbing bracket onto the mounting plates on the underside of the chair.
4. Secure the arms to the mounting plates with the four female quick release handles.
5. Ensure the arms are completely parallel by moving the mounting plate into the right position.
6. Tighten the screws you attached in step 3.

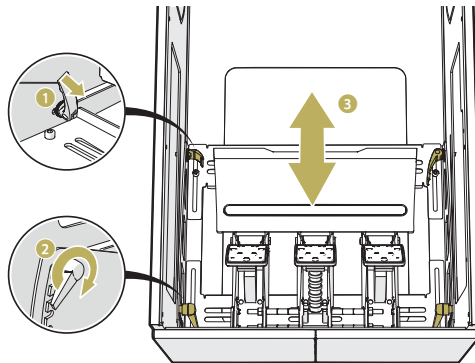
4.2.9 Finalising the installation

Check if the CoffeeRacer is rigid by wiggling the frame. Adjust the fasteners if there is play in the CoffeeRacer.

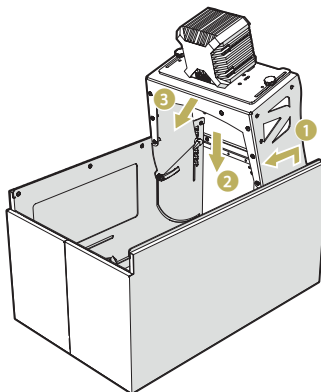
CAUTION

Risk of injury. Watch your fingers when adjusting the position of the pedals or folding down the bridge.

Slide the pedal set to the folded position. The position depends on your type of racing wheel (see Appendix II).



1. Release the four quick releases on the pedal plates.
2. Slide the pedal set forwards to the folded position.
- i** Some pedal sets require moving rearwards to the folded position. See Appendix II for a list of tested wheels.



1. Release the four quick releases on the bridge.
- i** You may need to adjust the wheelbase plate to fit inside the CoffeeRacer. Adjust the plate by unscrewing the four knobs, sliding the plate, and tightening the knobs again.
2. Pull up the bridge and push it towards the front of the CoffeeRacer.
3. Lower the bridge.
4. Tilt the bridge downwards and lower it until it cannot go further.
5. Fasten the four quick releases on the bridge.

Finally, place the lid on top to close the CoffeeRacer.

- i** You may need to remove the steering wheel from the wheelbase to fit inside the CoffeeRacer.

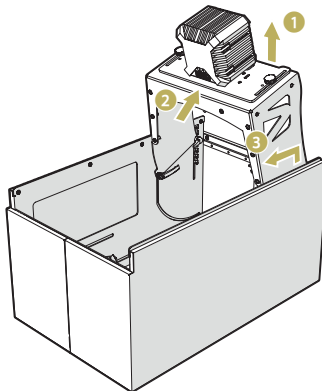
5 Use

5.1 BEFORE USE

Remove the lid from the CoffeeRacer.

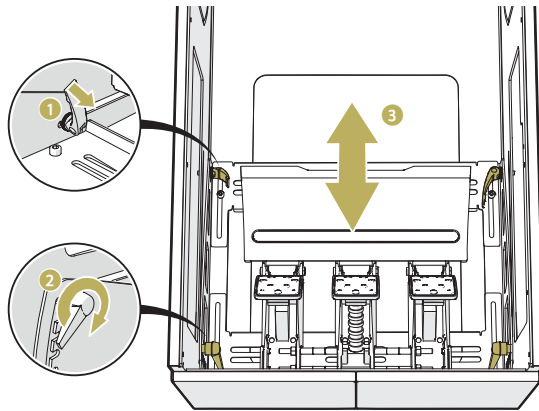
5.1.1 Folding up the bridge

1. Release the four quick releases on the bridge.



2. Pull up the bridge until it cannot go any further.
3. Tilt the bridge upright.
4. Pull up the bridge completely and hook the bridge in boarding mode by tilting it forward.

5.1.2 Setting the pedals



1. Release the four quick releases on the pedal plates.
2. Slide the pedal set to the desired position.
- i** You could mark your desired position with a piece of tape or a sticker.
3. Change the angle of the pedal plates to the desired position.
4. Fasten the four quick releases on the pedal plates.

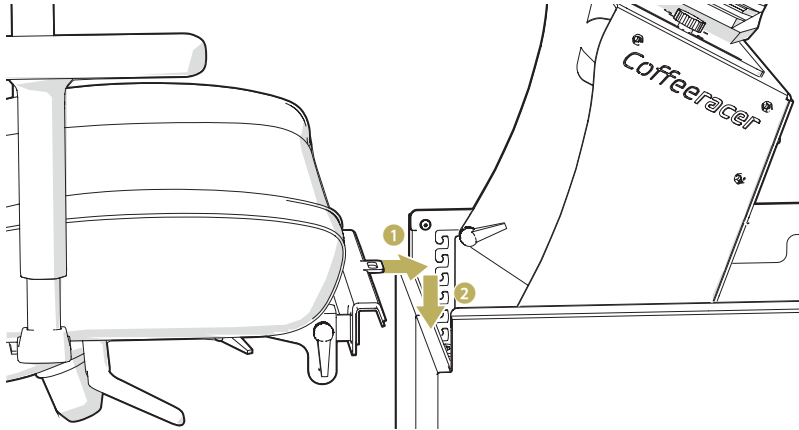
5.1.3 Hook on the desk chair mount (optional)

This requires the optional desk chair mount.

CAUTION

Risky of injury. Watch your fingers when hooking on the desk chair mount.

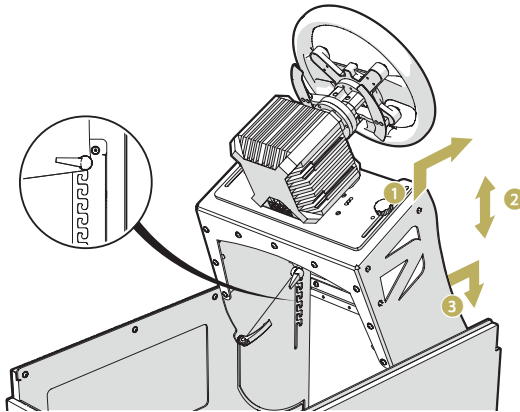
1. Release the four quick releases on the underside of the desk chair mount.
2. Slide out the desk chair mount from under the chair.
3. Tighten the four quick releases on the underside of the desk chair mount.



4. Set the tilt of the desk chair to the desired position.
5. Make sure the height of the desk chair is set so the desk chair mount is above the edge of the CoffeeRacer.
6. Ride the desk chair until the front of the desk chair mount is above the edge of the CoffeeRacer and the back of the grabbing bracket sits against the CoffeeRacer.
7. Lower the desk chair until the desk chair mount is hooked on the edge of the CoffeeRacer.

5.2 USING THE COFFEERACER

To set the bridge from boarding mode to racing mode:



1. Whilst seated, pull the bridge with the wheel towards your shoulders to release it from the boarding mode.
2. Lower the bridge to the desired position. Support the bridge to prevent it from falling.
3. Pull the bridge towards you and lower it at the desired height to hook it in racing mode.
4. Fasten the four quick releases on the bridge.

Then adjust the wheelbase plate to the desired position.

1. Unscrew the four knobs on the wheelbase plate.
2. Slide the plate to the desired position.
3. Tighten the four knobs again.

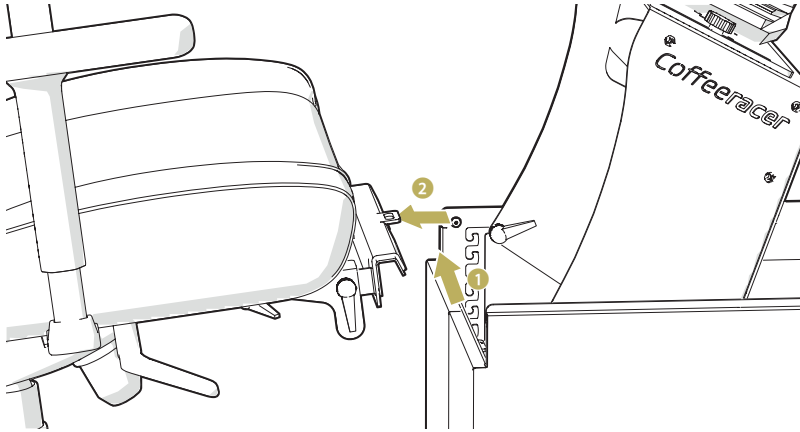
5.3 AFTER USE

CAUTION

Risk of injury. Watch your fingers when adjusting the position of the pedals or folding down the bridge.

5.3.1 Unhook the chair mount (optional)

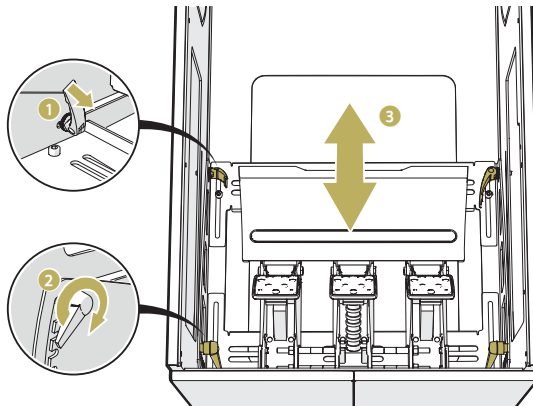
1. Release the four quick releases on the bridge.
2. Move the Coffeeracer to the boarding mode.



3. Unlock the tilt function of your desk chair.
4. Move your weight from the chair by pulling yourself towards the CoffeeRacer.
5. Tilt the chair backwards so the mount unhooks from the CoffeeRacer.
6. Ride the chair backwards to exit the CoffeeRacer.

5.3.2 Storing the pedals

Slide the pedals to the folded position. The position depends on your type of racing wheel (see Appendix II).

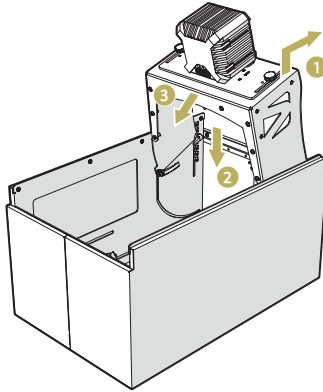


1. Release the four quick releases on the pedal plates.
2. Slide the pedal set forwards to the folded position.
- i** Some pedal sets require moving rearwards to the folded position. See Appendix II for a list of tested wheels.

5.3.3 Folding down the bridge

NOTICE

Avoid damage to your racing wheel. Make sure the pedals and the wheelbase do not collide. Be extra careful with rear cables.



1. Release the four quick releases on the bridge.
i You may need to adjust the wheelbase plate to fit inside the CoffeeRacer and prevent stress on the cables.
2. Pull up the bridge and push it towards the front of the CoffeeRacer.
3. Lower the bridge.
4. Tilt the bridge downwards and lower it until it cannot go further.
5. Fasten two quick releases on the bridge.

5.3.4 Putting away the CoffeeRacer

Put the lid on the CoffeeRacer and store it in the desired location.

- i** You may need to remove the steering wheel from the wheelbase to fit inside the CoffeeRacer.

6 Troubleshooting

Problem	Possible cause	Possible solution
My wheel does not fit on the plates.	There are no pre-drilled holes in the plates for your specific wheel.	Check the compatibility of your wheel with the CoffeeRacer.
		Use the clamp of your wheel to clamp it to the wheelbase plate.
		Drill additional holes in the plate to fit your wheel.
The CoffeeRacer does not close properly.	The pedals are not in the right position.	Adjust the position of your pedals either fully to the front of the CoffeeRacer or to the rear (see Appendix II).
	The steering wheel is blocking the lid.	Remove the steering wheel from the wheelbase and store it separately in the CoffeeRacer.
	The cables are stuck when closing the CoffeeRacer.	Check the position of the cables. Check whether the cables are long enough for the adjustments.

7 Disposal



Separate and dispose the components of the CoffeeRacer into the applicable waste streams based on their materials, in accordance with local regulations.

8 Appendix I – Warranty

Thank you for your interest in the products and services of CoffeeRacer. This Limited Warranty applies to physical goods, and only for physical goods, purchased from CoffeeRacer B.V. (the “Physical Goods”). Did you buy the product from one of our resellers, warranty is handled through their respective channels

What does this limited warranty cover?

This Limited Warranty covers any defects in material or workmanship under normal use during the Warranty Period. During the Warranty Period, CoffeeRacer will repair or replace, at no charge, products or parts of a product that proves defective because of improper material or workmanship, under normal use and maintenance. What will we do to correct problems? CoffeeRacer will either replace or repair the Product at no charge.

How long does the coverage last?

The Warranty Period for Physical Goods purchased from CoffeeRacer is 1 year from the date of purchase. A replacement Physical Good or part assumes the remaining warranty of the original Physical Good or 1 year from the date of replacement or repair, whichever is longer.

What does this limited warranty not cover?

This Limited Warranty does not cover any problem that is caused by: • conditions, malfunctions or damage not resulting from defects in material or workmanship

What do you have to do?

To obtain warranty service, you must first contact us at info@CoffeeRacer.com to determine the problem and the most appropriate solution for you.

9 Appendix II – Compatibility

The steering wheels and pedal sets listed below have been tested to work with the CoffeeRacer.

Put the pedal plate in the rear position (towards the driver) to accommodate folding the wheel:

- Fanatec CSL Elite + CSL Elite pedal set
- Fanatec CSL DD
- Thrustmaster T300
- Logitech Pro

Put the wheel in the front position (away from the driver) to accommodate folding the wheel:

- Logitech G932
- Logitech G25
- Logitech G27
- Logitech G29
- Logitech G320
- Thrustmaster T248



CoffeeRacer B.V.

Zuideinde 509 | 1035 PJ Amsterdam | The Netherlands

info@CoffeeRacer.com | www.CoffeeRacer.com