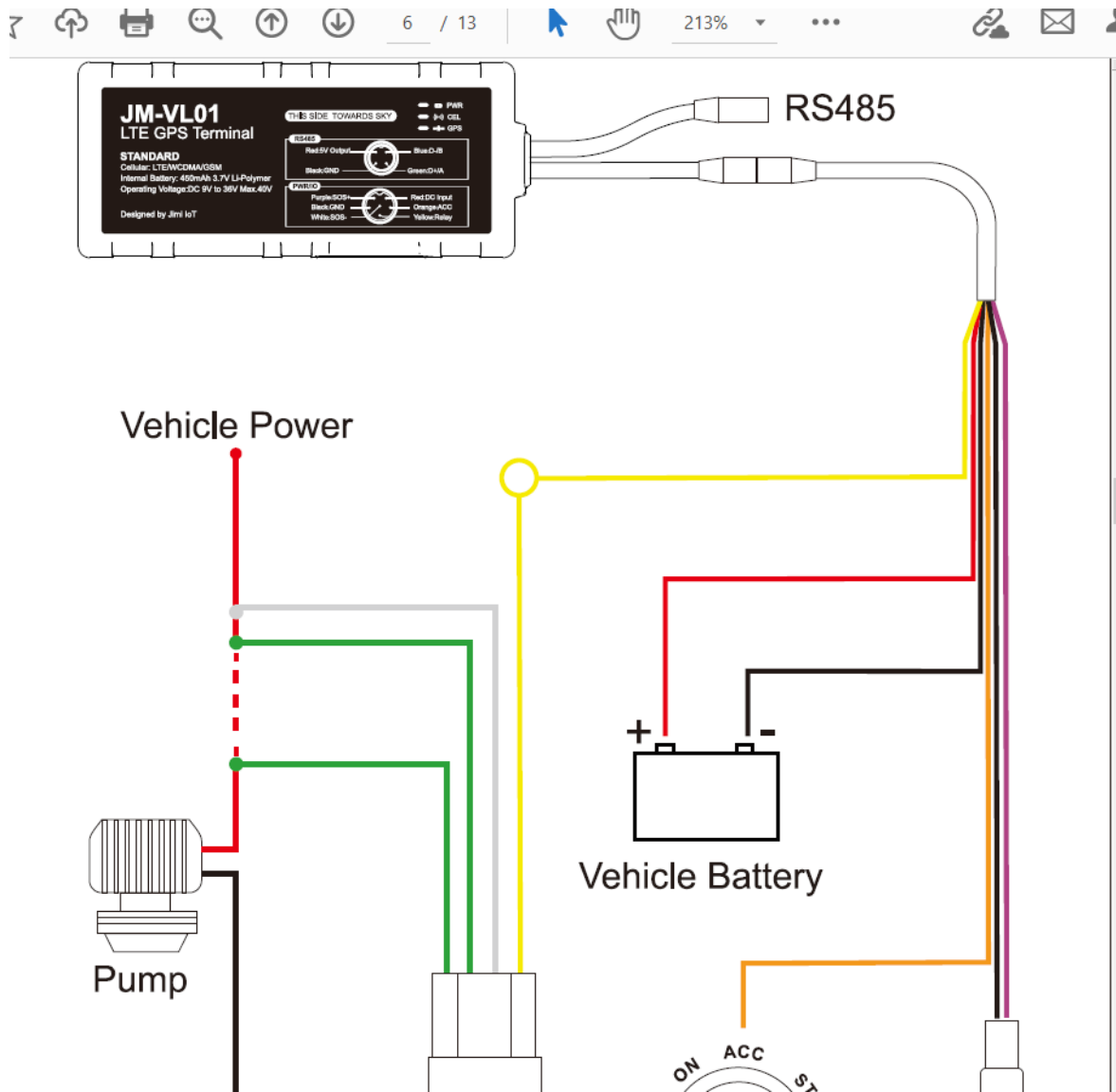


# HARDWIRE Post Configuration Setup Guide

Once you receive the tracker , all you will need to do is :

- 1 - Active the sim card under your name using the Telstra website or by simply walking in one of the telstra outlets
- 2- Make sure the sim card is a MOBILE Sim Card Plan and NOT a DATA Sim plan as it does not work on Tracker
- 3- You can then select a prepaid or a postpaid plan for the sim card depending on what is suitable from the value proposition.
- 4- The sim card must allow calling and texting and should have minimum of 2-3GB Data every month
- 5- Insert the Sim card in the tracker . make sure the sim card silver chip side is facing towards sky when you insert it
- 6- Get the connection done using the following diagram, we recommend the 4G Hardwired GPS is installed by an authorized, professional mechanic.



# HARDWIRE Post Configuration Setup Guide

- 7- Download the **TracksolidPro** App and register your email ID on it
- 8- using the Plus sign at the top right corner add the Tracker in the APP by scanning the QR-Code or the IMEI number of the tracker
- 9- The tracker show appear as ONLINE and enlist in the list of trackers on you app
- 10- Setup Complete

-----Optional Setting - If engine cutoff is not required - for ACC cable Connection -----

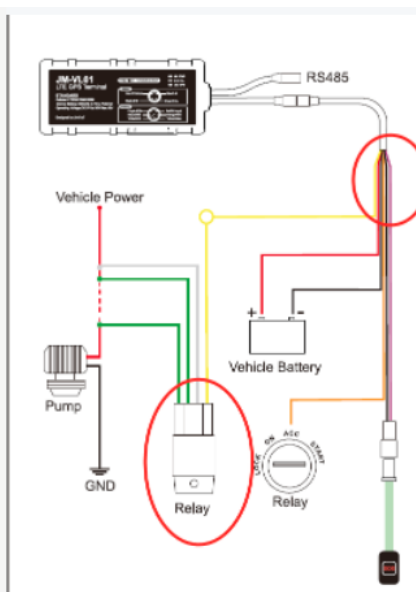
-check if the ACC cable has been installed correctly or not  
2. if customers need the GPS data to keep uploaded, could set with below commands:

```
Apn,telstra.internet#  
GPSDUP,ON#  
SENDS,0#  
TIMER,10,10#
```

To make the GPS to upload the data when ACC is off .

Relay is included in the package :

The purpose of an automotive relay is to **automate the power to switch electrical circuits on and off at particular times.**



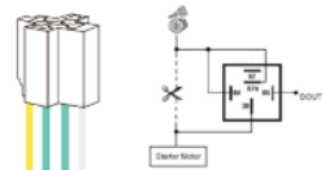
## Ignition wire

ACC line (orange) connects to vehicle's ACC, detecting ignition. Be sure to check if it's a real ignition wire i.e.power does not disappear after starting the engine.

## Relay wiring

Relay's white line (85) connects to the positive side of battery (12V) while the yellow line (86) connects to the device relay control (yellow line on the power cord).

Find the fuel pump in the vehicle and cut off its positive power line. The positive side of fuel pump connects to the green line (87a) while the side closing to starter motor connects to green line (30), as the below chart. Switch of the two green lines have the same effect.



12V relay is standard. The device is suitable for vehicles with 12V supply. If the vehicle power supply is 24V, use 24V relay.