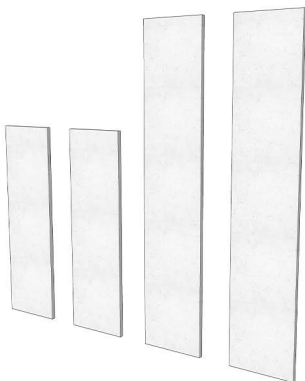


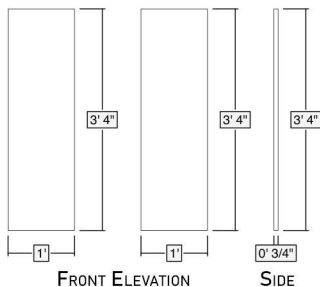
Filler Panels

Filler Panels bridge the gap between the firebox or insert opening and the fireplace surround. You can also use other materials such as marble, granite, or tile to fill the area.

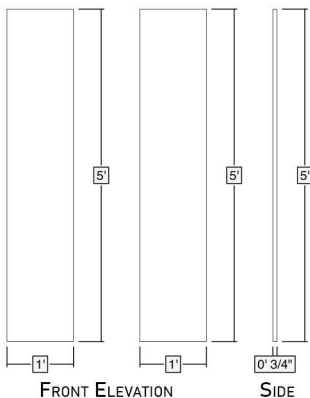
Filler Panels are the same material and color as the fireplace surround of your order. You can install the panels at the top, sides, and/or bottom of the firebox or insert opening.



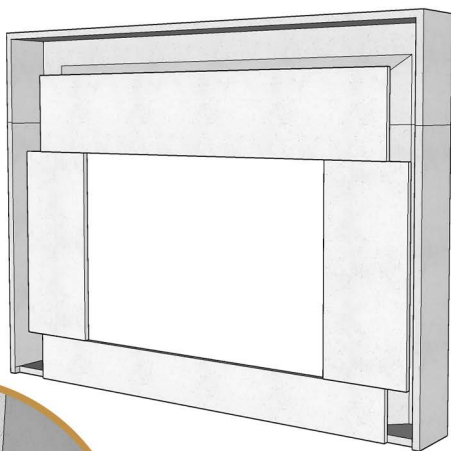
SIDE FILLER PANELS



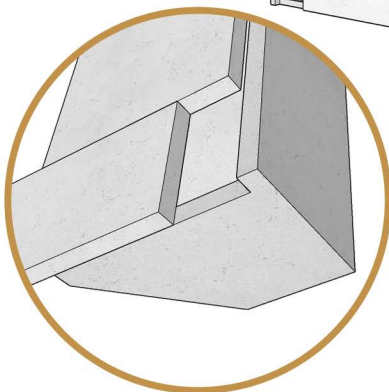
TOP & BOTTOM FILLER PANELS



Filler Panels



EXAMPLE ON MONACO SURROUND



42" x 28" INSERT

