

WARRANTY

Koolatron Corporation warrants that this product will be free from defects in materials or workmanship under normal household use for a period of 1 year from the date of retail purchase. During this time, defective products will be repaired or replaced at the discretion of the retailer and/or Koolatron Corporation.

This warranty covers normal household usage and does not cover damage which occurs in shipment or results from accident, misuse or abuse, unauthorized repair or alteration, improper maintenance, commercial use, or use with a voltage converter or aftermarket accessories. A Koolatron Master Service Centre must perform all warranty work.

WARRANTY AND SERVICE PROCEDURE

Keep your original, dated, sales receipt with this manual. If this product proves to be defective within the warranty period, please contact Koolatron Corporation at 1-800-265-8456 (North America) or email service@koolatron.com for assistance.

Register online at www.koolatron.com and add another 6 months of warranty protection.

TOTAL Chef

Microwave Oven



www.koolatron.com

©2023 Koolatron, Inc. All rights reserved.

All specifications are subject to change without notice.

Made in China

H1S373
5/2023 - v1

TCMO-07-SS
User Manual

Please Read These Instructions Carefully Before Use!

IMPORTANT SAFEGUARDS

TO AVOID POSSIBLE EXPOSURE TO EXCESSIVE MICROWAVE ENERGY

1. Do not attempt to operate this oven with the door open since open-door operation can result in harmful exposure to microwave energy. It is important not to defeat or tamper with the safety interlocks.
2. Do not place any object between the oven front face and the door or allow soil or cleaner residue to accumulate on sealing surfaces.
3. Do not operate the oven if it is damaged. It is very important that the oven door close properly and that there is no damage to the
 - a) Door (including any bents),
 - b) Hinges and latches (broken or loosened),
 - c) Door seals and sealing surfaces.
4. The oven should not be adjusted or repaired by anyone except qualified service personnel.

A SPECIAL NOTE ON ARCING

"Arcing" refers to the presence of sparks inside the microwave oven. It can be caused by:

- Metal or foil touching the inside walls of the oven.
- Foil not closely molded to food, where edges have been left sticking up.
- Small metal parts such as twist-ties, poultry pins, or gold-rimmed dishes.
- Recycled paper towels which may contain small amounts of metal.



CAUTION - if you see sparks in your Microwave Oven, immediately turn timer to OFF, cease cooking and correct the problem.

WARNING! When using electrical appliances, basic safety precautions should be followed, including the following. To reduce the risk of burns, electric shock, fire, injury to persons or exposure to excessive microwave energy:

1. Read all instructions before using the appliance.
2. Read and follow the specific "TO AVOID POSSIBLE EXPOSURE TO EXCESSIVE MICROWAVE ENERGY" above.
3. This appliance must be grounded. Connect only to properly grounded outlet. See "GROUNDING INSTRUCTIONS" on page 4.
4. Install or position this appliance only in accordance with the provided installation instructions.
5. Do not operate the oven when empty.
6. Some products such as whole eggs and sealed containers -for example, closed glass jars- are able to explode and should not be heated in this oven.
7. Use this appliance only for its intended use as described in this manual. Do not use corrosive chemicals or vapors in this appliance. This type of oven is specifically designed to heat, cook, or dry food. It is not designed for industrial or laboratory use.
8. As with any appliance, close supervision is necessary when used by children.
9. To reduce the risk of fire in the oven cavity:
 - a) Do not overcook food. Carefully attend appliance when paper, plastic, or other combustible materials are placed inside the oven to facilitate cooking.
 - b) Remove wire twist-ties from paper or plastic bags before placing bag in oven.
 - c) If materials inside the oven should ignite, keep oven door closed, turn oven off, and disconnect the power cord or shut off power at the fuse or circuit breaker panel.
 - d) Do not use the cavity for storage purposes. Do not leave paper products, cooking utensils or food in the cavity when not in use.

IMPORTANT SAFEGUARDS (cont.)

10. Liquids, such as water, coffee, or tea are able to be overheated beyond the boiling point without appearing to be boiling due to surface tension of the liquid. Visible bubbling or boiling when the container is removed from the microwave oven is not always present. **THIS COULD RESULT IN VERY HOT LIQUIDS SUDDENLY BOILING OVER WHEN A SPOON OR OTHER UTENSIL IS INSERTED INTO THE LIQUID.** To reduce the risk of injury to person:

- a) Do not overheat the liquid.
 - b) Stir the liquid both before and halfway through heating it.
 - c) Do not use straight-sided containers with narrow necks.
 - d) After heating, allow the container to stand in the microwave oven for a short time before removing the container.
 - e) Use extreme care when inserting a spoon or other utensil into the container.
11. Do not heat oil or fat for deep-frying. It is difficult to control the temperature of oil in microwave oven.
 12. Foods with heavy skins such as potatoes, whole squash, apples and chestnuts should be pierced with a fork or the tip of a sharp knife before cooking.
 13. Do not cover or block any openings on the appliance.
 14. Do not store or use this appliance outdoors. Do not use this product near water, for example, near a kitchen sink, in a wet basement, near a swimming pool, or similar locations.
 15. Do not operate this appliance if it has a damaged cord or a plug, if it is not working properly or if it has been damaged or dropped.
 16. Do not immerse cord or plug in water. Keep cord away from heated surface. Do not let cord hang over edge of table or counter.
 17. This appliance should be serviced only by qualified service personnel, contact nearest authorized service facility for examination, repair, or adjustment.
 18. When cleaning surfaces of door and oven that comes together on closing the door, use only mild, nonabrasive soaps, or detergents applied with a sponge or soft cloth.
 19. This equipment has been tested and found to comply with Part 18 of the FCC Rules. Operation is subject to the following two conditions: (1) This device may not cause harmful interference, and (2) this device must accept any interference received, including interference that may cause undesired operation (only for USA).



CAUTION - Changes or modifications not expressly approved by the party responsible for compliance could void the user's authority to operate the product.

20. This equipment generates, uses and can radiate radio frequency energy and, if not installed and used in accordance with the instructions, may cause harmful interference to radio communications. However, there is no guarantee that interference will not occur in a particular installation. If this equipment does cause harmful interference to radio or television reception, which can be determined by turning the equipment off and on, the user is encouraged to try to correct the interference by one or more of the following measures:

- Reorient or relocate the receiving antenna.
- Increase the separation between the equipment and receiver.
- Connect the equipment into an outlet on a circuit different from that to which the receiver is connected.
- Consult the dealer or an experienced radio/TV technician for help.

If this product is not maintained in a good state of cleanliness, its surface could degrade. This could affect the lifespan of the product and lead to a dangerous situation.

IMPORTANT SAFEGUARDS (cont.)

GROUNDING INSTRUCTIONS

This appliance must be grounded. In the event of an electrical short circuit, grounding reduces risk of electric shock by providing an escape wire for the electric current. This appliance is equipped with a cord having a grounding wire with a grounding plug. The plug must be plugged into an outlet that is properly installed and grounded.



WARNING! Improper use of the grounding plug can result in a risk of electric shock.

Consult a qualified electrician or serviceman if the grounding instructions are not completely understood, or if doubt exists as to whether the appliance is properly grounded, and if it is necessary to use an extension cord, use only a 3-wire extension cord that has a 3-blade grounding plug and a 3-slot receptacle that will accept the plug on the appliance. The marked rating of the extension cord shall be equal to or greater than the electrical rating of the appliance.

ELECTRICAL REQUIREMENTS

The electrical requirements are a 120 V 60 Hz, AC only, 15 amp. It is recommended that a separate circuit serving only the oven be provided. The oven is equipped with a 3-prong grounding plug. It must be plugged into a wall outlet properly installed and grounded.

POWER CORD

1. A short power supply cord is provided to reduce the risks resulting from becoming entangled in or tripping over a longer cord.
2. If the power supply cord is too short, do not use an extension cord. Have a qualified electrician or serviceman install an outlet near the appliance.
3. If it is absolutely necessary to use longer cord sets or an extension cord, extreme care must be exercised.
 - a) Use only a grounding type 3-wire extension cord that has a 3-blade grounding plug and a 3-slot receptacle that will accept the plug on the appliance.
 - b) The marked electrical rating of the cord set or extension cord must be equal to or greater than the electrical rating of the appliance. The longer cord should be arranged so that it will not drape over the counter top or table top where it can be pulled on by children or tripped over unintentionally.

IMPORTANT SAFEGUARDS (cont.)

COOKING UTENSILS GUIDE

This section lists which utensils can be used in this microwave, which have limited use for short periods, and which should not be used in this microwave.

RECOMMENDED

MICROWAVE BROWNING DISH - Use to brown the exterior of small items such as steaks, chops, or pancakes. Follow the directions provided with your browning dish.

MICROWAVEABLE PLASTIC WRAP - Use to retain steam. Leave a small opening for some steam to escape and avoid placing it directly on the food.

PAPER TOWELS AND NAPKINS - Use for short-term heating and covering; these absorb excess moisture and prevent spattering. Do not use recycled paper towels, which may contain metal and could ignite.

GLASS AND GLASS-CERAMIC BOWLS AND DISHES - Use for heating or cooking.

Paper plates and cups - Use for short-term heating at low temperatures. Do not use recycled paper, which may contain metal and could ignite.

WAX PAPER - Use as a cover to prevent spattering.

THERMOMETERS - Use only those labeled "Microwave Safe" and follow all directions. Check the food in several places. Conventional thermometers may be used on microwave food once the food has been removed from the oven.

LIMITED USE

Aluminum foil — Use narrow strips of foil to prevent overcooking of exposed areas. Using too much foil can damage your oven, so be careful. You should keep distance of 1 inch (2.54 cm) between aluminum foil and cavity.

Ceramic, porcelain, and stoneware— Use these if they are labeled "Microwave Safe". If they are not labeled, test them to make sure they can be used safely.

Plastic — Use only if labeled "Microwave Safe". Other plastics can melt.

NOT RECOMMENDED

Glass jars and bottles — Regular glass is too thin to be used in a microwave. It can shatter and cause damage and injury.

Paper bags — These are a fire hazard, except for popcorn bags that are designed for microwave use.

Styrofoam plates and cups — These can melt and leave an unhealthy residue on food.

Plastic storage and food containers — Containers such as margarine tubs can melt in the microwave.

Metal utensils — These can damage your oven. Remove all metal before cooking.

NOTE - Should you wish to check if a dish is safe for microwaving, place the empty dish in the oven and microwave on HIGH for 30 seconds. A dish which becomes very hot should not be used.

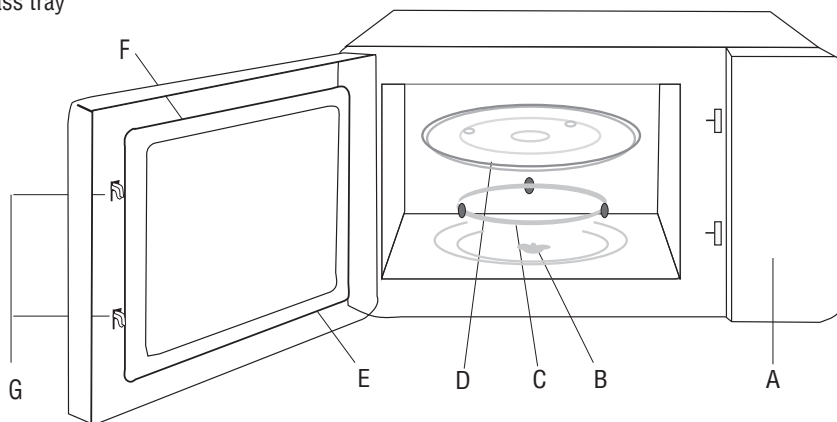
SPECIFICATIONS

- Power Consumption: 120V-60Hz, 1050W
- MWO Power: 700W
- Operation Frequency: 2450MHz
- Oven Cavity Dimensions (H x W x D): 8.1" x 12" x 12"
- Oven Capacity: 0.7 cubic feet
- Net Weight: Approx. 22.7 lbs.

PARTS & FEATURES

- A) Control panel
- B) Turntable shaft
- C) Turntable ring assembly
- D) Glass tray

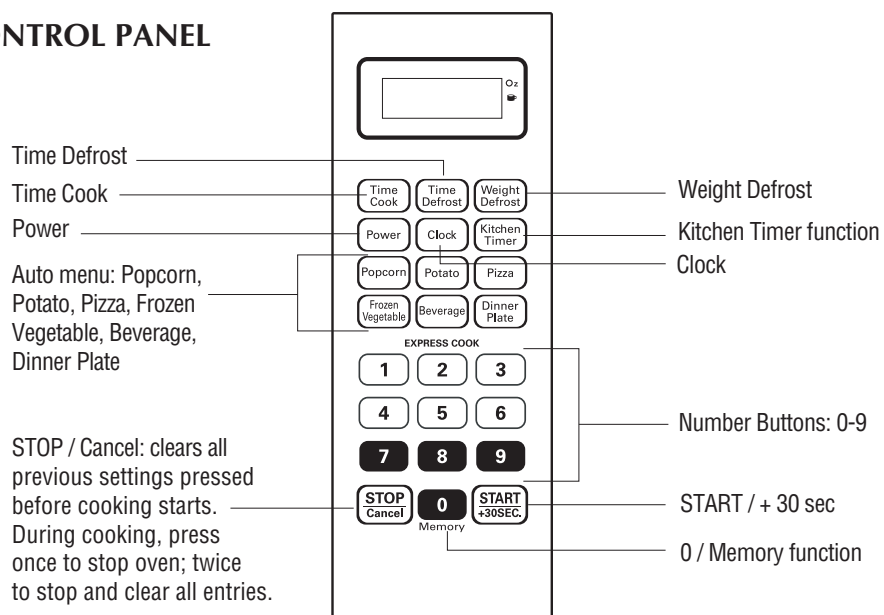
- E) Observation window
- F) Door assembly
- G) Safety interlock system



NOTE - Do not remove the mica plate covering the wave guide in the oven cavity.

- A. Never place the glass tray upside down. The glass tray should never be restricted.
- B. Both glass tray and turntable ring assembly must always be used during cooking.
- C. All food and containers of food are always placed on the glass tray for cooking.
- D. If glass tray or turntable ring assembly cracks or breaks, contact your nearest authorized service center.

CONTROL PANEL



INSTALLATION

1. Make sure that all the packing materials are removed from the inside of the door.
2. Check the oven for any damage, such as misaligned or bent door, damaged door seals and sealing surfaces, broken or loose door hinges and latches, and dents inside the cavity or on the door. If there is any damage, do not operate the oven. Contact qualified service personnel.
3. This microwave oven must be placed on a flat, stable surface capable of supporting the weight of the oven plus the heaviest food likely to be cooked in the oven.
4. Do not place the oven where heat, moisture, or high humidity are generated, or near combustible materials.
5. To function correctly, the oven must have sufficient airflow on all sides. Allow 12" of space above the oven, 3" at back, and 3" at sides. Do not cover or block any openings on the appliance. Do not remove feet on which oven stands.
6. Do not operate the oven without glass tray, roller support, and shaft in their proper positions.
7. Make sure that the power supply cord is undamaged and does not run under the oven or over any hot or sharp surface.
8. The socket must be readily accessible so that the cord can be quickly reached and easily unplugged in an emergency.

NOTE: Do not remove the mica plate covering the wave guide in the oven cavity.

RADIO OR TV INTERFERENCE

If the microwave oven causes interference to your radio or TV,

1. Check that the microwave oven is on a different circuit
2. Relocate the radio or TV as far away from the oven as possible
3. Check position and signal of receiving antenna.
4. Clean door and sealing surface.
5. Move the microwave oven far away from the receiver.

OPERATION

1. POWER LEVEL

11 power levels are available.

Level	10	9	8	7	6	5	4	3	2	1	0
Power	100%	90%	80%	70%	60%	50%	40%	30%	20%	10%	0%
Display	PL10	PL9	PL8	PL7	PL6	PL5	PL4	PL3	PL2	PL1	PL0

2. CLOCK SETTING

(1) Press "CLOCK", "00:00" will display.

(2) Press the number keys and enter the current time.

For example, time is 10:12 now, please press "1, 0, 1, 2" in turn.

(3) Press "CLOCK" to finish clock setting. ":" will flash and the clock will be lighted.

(4) If the numbers input are not within the range of 1:00 - 12:59, the setting will be invalid until valid numbers are input.

NOTE

(1) In the process of clock setting, if the "STOP/CANCEL" button is pressed or if there is no operation within 1 minute, the oven will go back to the former setting automatically.

(2) If the clock needs to be reset, please repeat step 1 to step 3.

3. KITCHEN TIMER

(1) Press "KITCHEN TIMER", LED will display 00:00, the first hour figure will flash.

(2) Press the number keys and enter the timer time. The maximum time is 99 minutes and 99 seconds.

(3) Press "START/+30SEC." to confirm setting.

(4) When the timer has completed, the buzzer will ring 5 times. If the clock is set, LED will display the current time.

NOTE

1) The kitchen time is different from 12-hour system. Kitchen Timer is a timer.

2) During kitchen timer, any program cannot be set.

4. MICROWAVE COOK

(1) Press "TIME COOK" once, LED will display "00:00".

(2) Press number keys to input the cooking time; the maximum cooking time is 99 minutes and 99 seconds.

(3) Press "POWER" once, LED will display "PL10". The default power is 100% power. Now you can press number keys to adjust the power level.

(4) Press "START/+30SEC." to start cooking.

Example - to cook the food with 50% microwave power for 15 minutes.

A. Press "TIME COOK" once. "00:00" displays.

B. Press "1", "5", "0", "0" in order.

C. Press "POWER" once, then press "5" to select 50% microwave power.

D. Press "START/+30SEC." to start cooking.

OPERATION (cont.)

4. MICROWAVE COOK (continued)

NOTE

1) During microwave setting, if the "STOP/CANCEL" button is pressed, or if there is no operation within 1 minute, the oven will go back to the former setting automatically.

2) If "PL0" selected, the oven will work with fan for no power.

3) During microwave cooking, "POWER" can be pressed to change the power you need. After pressing "POWER", the current power is displayed, now you can press number button to change the power. The oven will work with the selected power for the remaining time.

5. SPEEDY COOKING

(1) In waiting state, instant cooking at 100% power level can be started by selecting a cooking time from 1 to 6 minutes. Press "START/+30SEC." to increase the cooking time. The maximum cooking time is 99 minutes and 99 seconds.

(2) In waiting state, instant cooking at 100% power level with 30 seconds' cooking time can be started by pressing "START/+30SEC". Each press on the same button will increase cooking time by 30 seconds. The maximum cooking time is 99 minutes and 99 seconds.

NOTE - During microwave cooking and time defrost, time can be added by pressing "START/+30SEC." button.

6. WEIGHT DEFROST FUNCTION

(1) Press "WEIGHT DEFROST", LED will display "dEF1".

(2) Press numerical buttons to input weight to be defrosted.

Input the weight ranged between 4~100 oz.

(3) If the weight input is not within 4~100 Oz, the input will be invalid.

(4) Press "START/+30SEC." to start defrosting and the cooking time remaining will be displayed.

7. TIME DEFROST FUNCTION

(1) Press "TIME DEFROST", LED will display "dEF2".

(2) Press number pads to input defrosting time. The effective time range is 0:01~99:99.

(3) The default microwave power is power level 3. If you want to change the power level, press "POWER" once, and the LED will display "PL 3", then press the number pad of the power level you require.

(4) Press "START/+30SEC." to start defrosting. The remaining cooking time will be displayed.

8. POPCORN

a) Press "POPCORN" repeatedly until the number you require appears in the display, "1.75", "3.0", "3.5" Oz will display in order. For example, press "POPCORN" once, "1.75" appears.

b) Press "START/+30 SEC." to cook, buzzer sounds once. When cooking finishes, buzzer sounds five times and then returns to waiting state.

OPERATION (cont.)

9. POTATO

a) Press " POTATO " repeatedly until the number you require appears in the display, "1", "2", "3" will display in order.



"1" SET : 1 potato (approximate 8.0 Oz)

"2" SETS: 2 potatoes (approximate 16.0 Oz)

"3" SETS: 3 potatoes (approximate 24.0 Oz)

For example, press "POTATO" once, "1" appears.

b) Press " START/+30 SEC. " to cook, buzzer sounds once. When cooking is completed, the buzzer sounds five times and then returns to waiting state.

10. FROZEN VEGETABLE

a) Press " FROZEN VEGETABLE " repeatedly until the number you require appears in the display, "4.0 ", "8.0 ", "16.0 " oz will display in order.

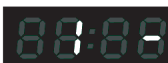


For example, press "FROZEN VEGETABLE" once, "4.0" appears.

b) Press " START/+30 SEC. " to cook, buzzer sounds once. When cooking finishes, buzzer sounds five times and then returns to waiting state.

11. BEVERAGE

a) Press " BEVERAGE " repeatedly until the number you require appears in the display, "1-", "2-", "3-" cup will display in order. One cup is about 120ml. For example, press "BEVERAGE" once, "1-" appears.



b) Press " START/+30 SEC. " to cook, buzzer sounds once. When cooking finishes, buzzer sounds five times and then returns to waiting state.

12. DINNER PLATE

a) Press " DINNER PLATE " repeatedly until the number you require appears in the display, "9.0 ", "12.0 ", "18.0 " oz will display in order.



For example, press "DINNER PLATE" once, "9.0" appears.

b) Press " START/+30 SEC. " to cook, buzzer sounds once. When cooking finishes, buzzer sounds five times and then returns to waiting state.

13. PIZZA

a) Press " PIZZA " repeatedly until the number you require appears in the display, "4.0 ", "8.0 ", "14.0 " oz will display in order.



For example, press "PIZZA" once, "4.0" appears.

b) Press " START/+30 SEC. " to cook, buzzer sounds once. When cooking finishes, buzzer sounds five times and then returns to waiting state.

14. MEMORY FUNCTION

(1) Press "0/MEMORY" to choose memory 1-3 procedure. The LED will display 1,2,3.

(2) If the procedure has been set, press " START/ +30 SEC." to use it. If not, continue to set the procedure. Only one or two stages can be set.

OPERATION (cont.)

14. MEMORY FUNCTION (continued)

(3) After finishing the setting, press "START/ +30 SEC." once to save the procedure. If press " START/ +30 SEC." again, it will start cooking.

Example: To program the following setting as the second memory to cook food with 80% microwave power for 3 minutes and 20 seconds.

The steps are as follows:

a. In waiting state, press "0/MEMORY" twice, stop pressing until the screen displays "2".

b. Press "TIME COOK" once, then press "3", "2", "0" in order.

c. Press "POWER" once, "PL10" display, then press "8" and "PL8" displays.

d. Press "START/ +30 SEC." to save the setting. Buzzer sounds once and the LED will display "2". If you press "START/+30SEC." again, the procedure will be saved as the memory 2 and operated.

e. If power is lost, the "0/MEMORY" setting will need to be reprogrammed.

f. If you want to run the saved procedure, in waiting state, press "0/MEMORY" twice, screen displays "2", then press "START/+30SEC." to run.

15. MULTI-STAGE COOKING

At most 2 stages can be set for cooking. In multi-stage cooking, if one stage is defrosting, then defrosting shall be placed at the first stage automatically.

NOTE - Auto cooking cannot work in the multi-stage cooking.

Example: if you want to cook with 80% microwave power for 5 minutes + 60% microwave power for 10 minutes. The cooking steps are as following:

(1) Press "TIME COOK" once, then press "5", "0", "0" to set the cooking time;

(2) Press "POWER" once, then press "8" to select 80% microwave power.

(3) Press "TIME COOK" once, then press "1", "0", "0", "0" to set the cooking time;

(4) Press "POWER" once, then press "6" to select 60% microwave power.

(5) Press "START/ +30 SEC." to start cooking.

16. INQUIRING FUNCTION

(1) In cooking state, press " CLOCK ", the LED will display clock for three seconds.

(2) In the microwave cooking state, press " POWER " to inquire microwave power level, and the current microwave power will be displayed. After three seconds, the oven will turn back to the previous state.

In multi-stage state, the inquiring way can be done by the same way as above.

17. CHILD LOCK FUNCTION

LOCK: In waiting state, press "STOP/CANCEL " for 3 seconds, there will be a long "beep" denoting entering into the children-lock state; meanwhile, LED will display :



TURN OFF CHILD LOCK: In locked state, press " STOP/CANCEL " for 3 seconds, there will be a long "beep" denoting that lock is released.

OPERATION (cont.)

18. COOKING END REMINDER FEATURE

When the cooking is over, the buzzer will sound 5 “beep” to alert user the cooking is finished.

19. OTHER SPECIFICATIONS

(1) In standby state, if the set digital clock displays current time, the icon “:” would flash; otherwise, it shows “0:00”.

(2) In setting function state, LED displays corresponding setting.

(3) In working or pause state, LED displays surplus cooking time.

COOKING TECHNIQUES

Your microwave makes cooking easier than conventional cooking, provided you keep these considerations in mind:

STIRRING

Stir foods such as casseroles and vegetables while cooking to distribute heat evenly. Food at the outside of the dish absorbs more energy and heats more quickly, so stir from the outside to the center. The oven will turn off when you open the door to stir your food.

ARRANGEMENT

Arrange unevenly shaped foods, such as chicken pieces or chops, with the thicker, meatier parts toward the outside of the turntable where they receive more microwave energy. To prevent overcooking, place delicate areas, such as asparagus tips, toward the center of the turntable.

SHIELDING

Shield food with narrow strips of aluminium foil to prevent overcooking. Areas that need shielding include poultry wing-tips, the ends of poultry legs, and corners of square baking dishes. Use only small amounts of aluminium foil. Larger amounts can damage your oven.

TURNING

Turn foods over midway through cooking to expose all parts to microwave energy. This is especially important with large foods such as roasts.

STANDING

Foods cooked in the microwave build up internal heat and continue to cook for a few minutes after heating stops. Let foods stand to complete cooking, especially foods such as cakes and whole vegetables. Roasts need this time to complete cooking in the center without overcooking the outer areas. All liquids, such as soup or hot chocolate, should be shaken or stirred when cooking is complete. Let liquids stand a moment before serving. When heating baby food, stir well at removal and test the temperature before serving.

ADDING MOISTURE

Microwave energy is attracted to water molecules. Food that is uneven in moisture content should be covered or allowed to stand so that the heat disperses evenly. Add a small amount of water to dry food to help it cook.

CLEANING AND MAINTENANCE

1. Turn off the oven and unplug the power cord from the wall when cleaning.

2. Keep the inside of the oven clean. When food splatters or spilled liquids adhere to oven walls, wipe with a damp cloth. Mild detergents may be used if the oven gets very dirty. Avoid using spray or other harsh cleaners. They may stain, streak or dull the door surface.

3. The outside of the oven should be cleaned with a damp cloth. To prevent damage to the operating parts inside the oven, water should not be allowed to seep into the ventilation openings.

4. Wipe the door and window on both sides, the door seals and adjacent parts frequently with a damp cloth to remove any spills or splatters. Do not use abrasive cleaner.

5. Do not allow the control panel to become wet. Clean with a soft, damp cloth. When cleaning the control panel, leave oven door open to prevent oven from accidentally turning on.

6. If steam accumulates inside or around the outside of the oven door, wipe with a soft cloth. This may occur when the microwave oven is operated under high humidity condition. And it is normal.

7. It is occasionally necessary to remove the glass tray for cleaning. Wash the tray in warm sudsy water or in a dishwasher.

8. The roller ring and oven floor should be cleaned regularly to avoid excessive noise. Simply wipe the bottom surface of the oven with mild detergent. The roller ring may be washed in mild, soapy water or in a dishwasher. When removing the roller ring, be sure to replace it in the proper position.

9. Remove odors from your oven by combining a cup of water with the juice and skin of one lemon in a microwaveable bowl. Microwave for 5 minutes. Wipe thoroughly and dry with a soft cloth.

10. If the light bulb burns out, please contact customer service to have it replaced.

11. The oven should be cleaned regularly and any food deposits should be removed. Failure to maintain the oven in a clean condition could lead to deterioration of surface that could adversely affect the life of the unit and could possibly result in a hazardous situation.

12. Please do not dispose of this appliance into the domestic rubbish bin; it should be disposed to the specific disposal center provided by the municipalities.

TROUBLESHOOTING

You can solve many common appliance problems easily, saving you the cost of a possible service call. Try the suggestions below to see if you can solve the problem before calling the servicer.

If the microwave oven still does not work properly, contact Koolatron customer service center.

DO NOT troubleshoot internal components. Microwaves hold dangerous voltage (5000V) even after power is removed. Only a certified technician should attempt repair.

PROBLEM	POSSIBLE CAUSE	Solution
Oven will not start	<ul style="list-style-type: none"> - Oven is not plugged in. - Door is open. - Wrong operation is set. 	<ul style="list-style-type: none"> - Plug into the outlet. - Close the door and try again. - Check instructions.
Arcing or sparking	<ul style="list-style-type: none"> - Materials to be avoided in microwave oven, such as metal, were used. - The oven is operated while empty. - Spilled food remains in the interior. 	<ul style="list-style-type: none"> - Use microwave-safe cookware only. - Do not operate with oven empty. - Clean interior with wet towel.
Unevenly cooked foods	<ul style="list-style-type: none"> - Materials to be avoided in microwave oven were used. - Food is not defrosted completely. - Cooking time or power level is not suitable. - Food is not turned or stirred. 	<ul style="list-style-type: none"> - Use microwave-safe cookware only. - Completely defrost food. - Use correct cooking time and power level. - Turn or stir food.
Overcooked foods	<ul style="list-style-type: none"> - Cooking time, power level is not suitable. 	<ul style="list-style-type: none"> - Use correct cooking time and power level.
Undercooked foods	<ul style="list-style-type: none"> - Materials to be avoided in microwave oven were used. - Food is not defrosted completely. - Oven ventilation ports are restricted. - Cooking time, power level is not suitable. 	<ul style="list-style-type: none"> - Use microwave-safe cookware only. - Completely defrost food. - Check to see that oven ventilation ports are not restricted. - Use correct cooking time and power level.
Improper defrosting	<ul style="list-style-type: none"> - Materials to be avoided in microwave oven were used. - Cooking time or power level is not suitable. - Food is not turned or stirred. 	<ul style="list-style-type: none"> - Use microwave-safe cookware only. - Use correct cooking time and power level. - Turn or stir food.

NOTES
