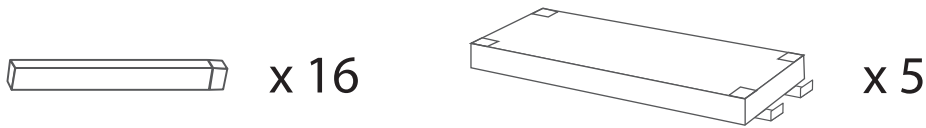


UTILITY SHELVING UNIT - 5 shelves

Assembly Instruction



1

- Place one shelf on a level floor.
- Slide the wide end of each leg into the shelf.

NOTE
Each leg has a tapered end and an arrow. Ensure arrow is pointing up when inserting.

UP

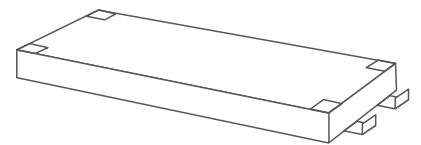
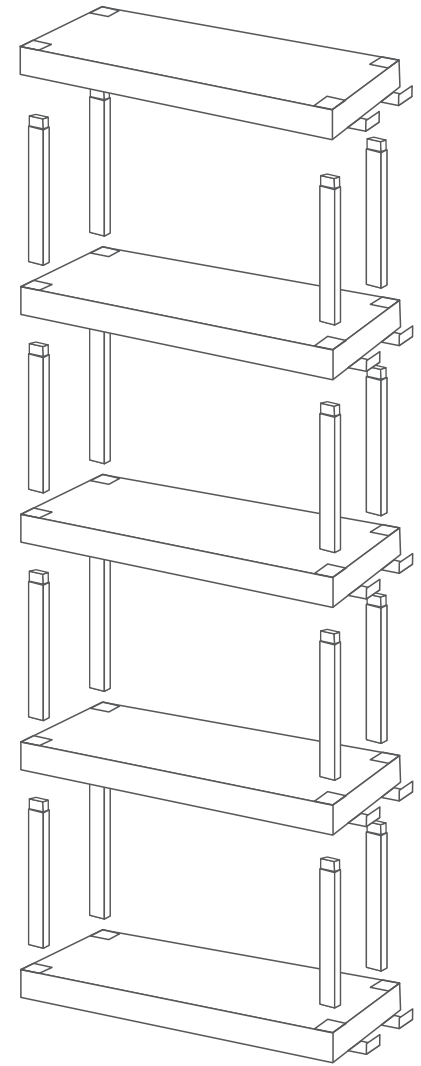
2

- Place the second shelf on the 4 legs just installed.
- Ensure that the smooth side is facing up.
- Shelf will be parallel with the previous shelf when all 4 legs are fully inserted.

3

- Insert four legs as per Step 1.
- The wide end of the leg will fit over the tapered end of the leg inserted in the shelf below, adding extra stability.

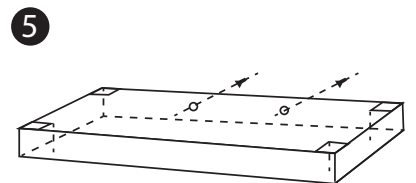
UP



Each shelf has 2 interlocking tabs on one side. These tabs can be used to connect multiple units. Ensure these tabs are on the same side when assembling.

4

- Repeat the process with remaining shelves and legs.
- Once completed, ensure snug fit of all legs and the shelves are parallel.



Unit must be anchored to wall for safety, using the anchor holes found at the back of the shelves. (Screws not included.)