

## Warranty

This KOOLATRON product is warranted to the retail customer for 90 days from date of retail purchase, against defects in material and workmanship.

### WHAT IS COVERED

- Replacement parts and labour.
- Transportation charges to customer for the repaired product.

### WHAT IS NOT COVERED

- Damage caused by abuse, accident, misuse, or neglect.
- Transportation of the unit or component from the customer to Koolatron.

### IMPLIED WARRANTIES

Any implied warranties, including the implied warranty of merchantability are also limited to the duration of 90 days from the date of retail purchase.

### WARRANTY AND SERVICE PROCEDURE

Keep the original, dated, sales receipt with this manual.

If you have a problem with your unit, or require replacement parts, please telephone the following number for assistance:

**North America 1-800-265-8456**

The Service Advisors will advise you on the best course of action. Koolatron has Master Service Centres at these locations:

U.S.A.  
4330 Commerce Dr.  
Batavia, NY 14020-4102 U.S.A.  
Canada

139 Copernicus Blvd.  
Brantford, ON N3P 1N4

A Koolatron Master Service Centre must perform all warranty work.



[www.koolatron.com](http://www.koolatron.com)

©2018 Koolatron, Inc. All rights reserved.  
All specification are subject to change without notice.  
Made in China

H1S242

09/2018-v1



## Tool Chest Fridge



MTCF50  
User Guide

*Please Read These Instructions Carefully Before Use!*

MICHELIN and/or the Michelin Man Device and/or BIBENDUM are trademark(s) owned by, and used with the permission of, the Michelin Group. Distributed under licence by Koolatron Inc.

©2018 Michelin

[www.michelin-lifestyle.com](http://www.michelin-lifestyle.com)

## SAFETY PRECAUTIONS

Read all of the instructions before using this appliance. When using this appliance, always exercise basic safety pre-cautions, including the following:

**NOTE: If the refrigerator has been placed in a horizontal or tilted position for any period of time wait 24 hours before plugging the unit in.**

- Use this appliance only for its intended purpose as described in this User Guide.
- This refrigerator must be properly installed in accordance with the installation instructions before it is used. See grounding instructions in the installation section.
- Never unplug your refrigerator by pulling on the power cord. Always grasp the plug firmly and pull straight out from the outlet.
- Immediately repair or replace all electric service cords that become frayed or otherwise damaged. Do not use a cord that shows cracks or abrasion damage along its length, the plug or the connector end.
- Unplug your refrigerator before cleaning or before making any repairs. **Note:** If for any reason this product requires service, we strongly recommend that a certified technician performs the service.
- If your old refrigerator is not being used, we recommend that you remove the doors and leave the shelves in place. This will reduce the possibility of danger to children.
- This fridge should not be recessed or built-in to an enclosed cabinet. It is designed for freestanding installation only.
- Do not operate your refrigerator in the presence of explosive fumes.
- After the unit is switched off, it should not be restarted within 5 minutes.
- Make sure the power cord is not caught under any heavy objects including the unit itself.
- Do not drill holes or install other objects on the casing.
- This fridge is not suitable for storing pharmaceuticals, blood or biological products.
- Do not place heavy articles on the top of the unit.

### DANGER! RISK OF CHILD ENTRAPMENT PROPER DISPOSAL OF THIS REFRIGERATOR

Child entrapment and suffocation are a problem with abandoned refrigerators. If you are getting rid of your old refrigerator, please follow these instructions to help prevent accidents. Take off the door, but leave the shelves in place so that children may not easily climb inside.

## INSTALLATION

### Unpacking Your Refrigerator

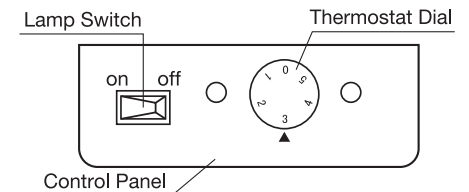
- Remove all packaging material. This includes the foam base and all adhesive tape holding the refrigerator accessories inside and outside.
- Inspect and remove any remains of packing, tape or printed materials.

### Installation

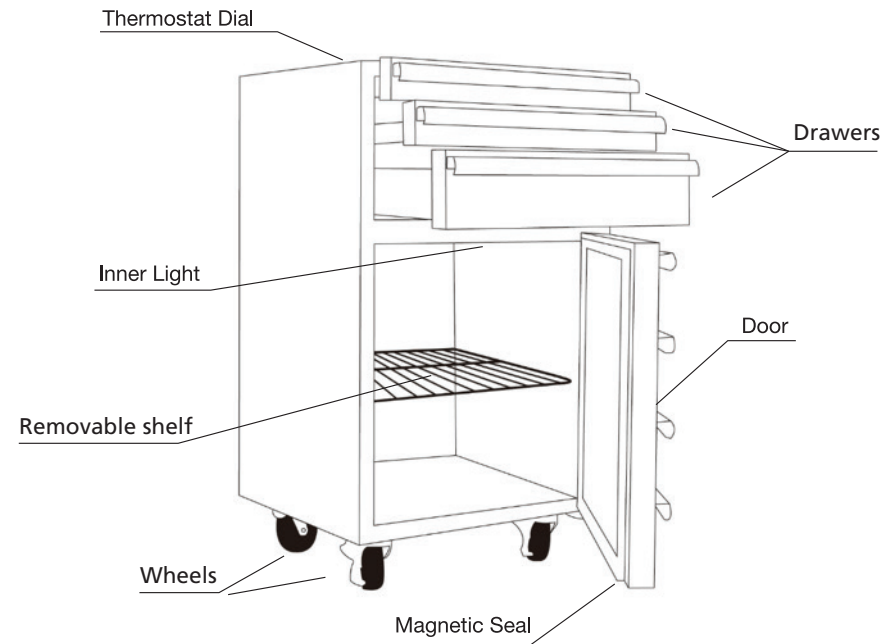
- Clean the unit before powering on the refrigerator.
- Place it in the desired location, plug it in and let it run empty for 30 minutes.
- Adjust to the desired temperature according to the ambient temperature.

### Adjustable temperature dial

Your refrigerator will automatically maintain the temperature level you select. The temperature control dial has 5 settings plus "0". 1 is the warmest. 5 is the coldest. At first, set the dial to 3 and allow 24 hours to pass before adjusting the temperature to your needs.



**NOTE: If the refrigerator has been placed in a horizontal or tilted position for any period of time, wait 24 hours before plugging in the unit.**



## INSTALLATION (cont.)

### Proper Air Circulation

- To ensure your refrigerator works at the maximum efficiency it was designed for, you should install it in a location where there is proper air circulation, plumbing and electrical connections
- Leave a space with an open angle of 160 ° for opening the door.
- The following are recommended clearances around the refrigerator:

Sides.....4" (10 cm)  
Top.....4" (10 cm)  
Back.....8" (20 cm)

### Electrical Requirement

- Make sure there is a suitable power outlet with proper grounding to power the refrigerator. This unit uses AC110V-120V / 60Hz power, there should be a 500va stabilizer if the voltage fluctuation exceed 98V-127V / 60Hz respectively.
- Avoid the use of three prong adapters or cutting off the third grounding prong in order to accommodate a two prong outlet. This is a dangerous practice since it provides no effective grounding for the refrigerator and may result in shock hazard.

### Use of Extension Cords

- Avoid the use of an extension cord because of potential safety hazards under certain conditions. If it is necessary to use an extension cord, use only a 3-wire extension cord that has a 3-blade grounding plug and a 3-slot outlet that will accept the plug. The marked rating of the extension cord must be equal to or greater than the electrical rating of the appliance.

### Installation Limitations

- Do not install your refrigerator in any location not properly insulated, this refrigerator was not designed to operate in temperature settings below 55° Fahrenheit.
- Select a suitable location for the refrigerator on a hard even surface away from direct sunlight or heat source, e.g. radiators, baseboard heaters, cooking appliances, etc. Any floor unevenness should be corrected with the leveling legs located on the front bottom corners of the refrigerator.

## PROPER REFRIGERATOR CARE AND CLEANING

### WARNING

To avoid electric shock, always unplug your refrigerator before cleaning. Ignoring this warning may result in death or injury.

### CAUTION

Before using cleaning products, always read and follow manufacturer's instructions and warnings to avoid personal injury or product damage.

### CLEANING

Prepare a cleaning solution of 3-4 tablespoons of baking soda mixed with warm water. Use sponge or soft cloth, dampened with the cleaning solution, to wipe down your refrigerator.

- Rinse with clean warm water and dry with a soft cloth.
- Do not use harsh chemicals, abrasives, ammonia, chlorine bleach, concentrated detergents, solvents or metal scouring pads. Some of these chemicals may dissolve, damage and/ or discolor your refrigerator.

### DOOR GASKETS

Clean door gaskets every three months according to general instructions.

Gaskets must be kept clean and pliable to assure a proper seal.

- Remove gasket from the door, wash, dry and seal it as before. Putting some talcum powder on the magnetic surface would prolong its service life.
- Petroleum jelly applied lightly on the hinge side of gaskets will keep the gasket pliable and ensure a good seal.

### BULB REPLACEMENT

Remove the lamp shade, take out the bulb, replace with a new one, then remount the lamp shade.

### POWER INTERRUPTIONS

Occasionally there may be power interruptions due to thunderstorms or other causes. Remove the power cord from AC outlet when a power outage occurs. When power has been restored, replug power cord to AC outlet. If outage is for a prolonged period, inspect and discard spoiled food in refrigerator.

Clean refrigerator before reusing.

### VACATION AND MOVING CARE

For long vacations or absences, empty food from refrigerator, move the temperature dial to the "0" position and clean the refrigerator and door gasket according to "General Cleaning" section.

Prop doors open, so air can circulate inside. When moving, always move the refrigerator vertically.

Do not move with the unit lying down. Possible damage to the sealed system could occur.

### ENERGY SAVING TIPS

- The refrigerator should be located in the coolest area of the room, away from heat-producing appliances or heating ducts, and out of direct sunlight.
- Let hot foods cool to room temperature before placing in the refrigerator. Overloading the refrigerator forces the compressor to run longer and thus increases energy consumption. Foods that refrigerate too slowly may lose quality or spoil.
- Be sure to wrap foods properly, and wipe containers dry before placing in the refrigerator.
- The wire shelves should not be lined with aluminum foil, wax paper, or paper towels. Liners interfere with cold air circulation, making the refrigerator less efficient.
- Organize food to reduce door openings and extended searches. Remove as many items as needed at one time, and close the door as soon as possible.

## TROUBLESHOOTING

You can solve many common Kool Compact Fridge problems easily, saving you the cost of a possible service call. Try the suggestions below to see if you can solve the problem before calling for service.

### REFRIGERATOR DOES NOT OPERATE

- Check if thermostat control is not in the "0" position.
- Check if refrigerator is plugged in.
- Check if there is power at the AC outlet by checking the circuit breaker.

### FOOD TEMPERATURE APPEARS TOO WARM

- Frequent door openings.
- Allow time for recently added warm food to reach fresh food temperature.
- Check gaskets for proper seal.
- Adjust temperature control to colder setting.

### FOOD TEMPERATURE IS TOO COLD

If temperature control setting is too cold, adjust to a warmer setting and allow several hours for temperature to adjust.

### REFRIGERATOR RUNS TOO FREQUENTLY

- This may be normal to maintain constant temperature during high temperature and humid days.
- Doors may have been opened frequently or for an extended period of time.
- Check gasket for proper seal.
- Check to see if doors are completely closed.

### MOISTURE BUILD UP ON INTERIOR OR EXTERIOR OF THE REFRIGERATOR

- This is normal during high humidity periods.
- Prolonged or frequent door openings.
- Check door gaskets for proper seal.

### REFRIGERATOR HAS AN ODOR

- Interior needs cleaning.
- Foods improperly wrapped or sealed are giving off odors.

### REFRIGERATOR DOOR DOES NOT SHUT PROPERLY

- Level the refrigerator.
- Re-align refrigerator door.
- Check for blockages, e.g. food containers, shelves, etc.

### POPPING OR CRACKING SOUND WHEN THE COMPRESSOR COMES ON

- Check to ensure the refrigerator is level.
- The floor may be uneven or weak. The refrigerator rocks on the floor when it is moved slightly. Be sure the floor can adequately support the refrigerator. Level the refrigerator by putting wood or metal shims under part of the refrigerator.
- The refrigerator is touching the wall. re-level the refrigerator and move it from the wall. See the "INSTALLATION" section.

### LAMP IS NOT ON

The bulb is burned out. Replace the bulb.

### TECHNICAL SPECIFICATIONS

For detailed specifications, please refer to the nameplate at the back of the unit. The specifications are subject to change without prior notice due to products improvement.

## FOOD STORAGE INFORMATION

### FRESH FOOD

- When storing fresh food that is not prepackaged, be sure to wrap or store food in airtight and moisture proof material unless otherwise noted. This will ensure proper shelf life and prevent the transfer of odors and tastes.
- Wipe containers before storing to avoid needless spills.
- Eggs should be stored in an upright position in their original carton to maximize shelf life.
- Fruit should be washed and dried, then stored in sealed plastic bags before storing in the refrigerator.
- Vegetables with skins should be stored in plastic bags or containers.
- Leafy vegetables should be washed and drained and then stored in plastic bags or containers.
- Hot food should be allowed to cool before storing in the refrigeration. This will prevent unnecessary energy use.
- Fresh seafood should be used the same day as purchased.
- When storing meats in the fresh food section, keep in the original packaging or rewrap as necessary. Follow the suggestions below for safe storage:

- Chicken 1-2 Days

- Ground Beef 1-2 Days

- Cold Cuts 3-5 Days

- Steaks/Roasts 3-5 Days

- Smoked/Cured Meats 7-10 Days

- All others 1-2 Days

### Normal Operating Sounds You May Hear

- Boiling water, gurgling sounds or slight vibrations that are the result of the refrigerant circulating through the cooling coils.
- The thermostat control will click when it cycles on and off.

## Garantie

Cet appareil est garanti à l'acheteur au détail pendant 90 jours à compter de sa date d'achat contre tous défauts de pièces et de fabrication.

### CE QUE COUVRE LA GARANTIE

- Pièces de rechange et main d'oeuvre.
- Frais d'expédition du produit réparé de Koolatron à l'adresse du client..

### CE QUE LA GARANTIE NE COUVRE PAS

- Tous dégâts causés par un abus, un accident, une mauvaise utilisation ou une négligence.
- Frais d'expédition de l'appareil ou de la pièce du client à Koolatron.

### GARANTIES IMPLICITES

Toutes garanties implicites, y compris celle de qualité marchande, se limitent également à 90 jours à compter de la date d'achat.

### ENREGISTREMENT DE LA GARANTIE

Conservez le reçu de caisse daté d'origine avec ce manuel.

### PRISE EN CHARGE DE LA GARANTIE ET PROCÉDURES DE RÉPARATION

Si vous avez un problème avec votre appareil ou si vous avez besoin de pièces de rechange, veuillez téléphoner au numéro suivante pour assistance :

Amérique du Nord 1-800-265-8456

Koolatron dispose de centres principaux de réparations à ces adresses :

U.S.A.  
4330 Commerce Dr., Batavia, NY 14020-4102

Canada  
139 Copernicus Blvd., Brantford, ON N3P1N4

Les réparations sous garantie doivent être effectuées par un centre principal de réparations Koolatron.



[www.koolatron.com](http://www.koolatron.com)

©2018 Koolatron, Inc. Tous droits réservés.  
Toutes spécifications sont sujettes à changement sans préavis.  
Fabriqué en Chine

H1S242

11/2018-v2



## Réfrigérateur de style coffre à outils



MTCF50  
Manuel d'utilisation

*S.V.P., lire attentivement les instructions avant l'utilisation !*

Michelin et le bonhomme Michelin ou BIBENDUM sont des marques de commerce détenues par la groupe Michelin et utilisées avec sa permission. Distribué sous licence par Koolatron Inc.

©2018 Michelin

[www.michelin-lifestyle.com](http://www.michelin-lifestyle.com)

## MESURES DE SÉCURITÉ

Lisez toutes les instructions avant d'utiliser cet appareil. Lorsque vous utilisez cet appareil, veuillez toujours prendre des mesures de sécurité élémentaires, notamment les suivantes :

**REMARQUE : Si le réfrigérateur a été placé en position horizontale ou inclinée pendant une période quelconque, attendez 24 heures avant de le brancher.**

- Utilisez cet appareil uniquement dans le but auquel il est destiné et tel que décrit dans le présent guide d'utilisation.
- Avant d'être utilisé, ce réfrigérateur doit être correctement installé conformément aux instructions d'installation. Consultez les instructions de mise à la terre dans la section d'installation.
- Ne débranchez jamais le réfrigérateur en tirant sur le cordon d'alimentation. Saisissez toujours la fiche de branchement fermement pour l'extraire de la prise de courant.
- Réparez ou remplacez immédiatement le cordon d'alimentation s'il est effiloché ou endommagé. N'utilisez pas un cordon craquelé ou qui présente des dommages d'abrasion sur la gaine, la fiche ou le connecteur.
- Débranchez votre réfrigérateur avant de le nettoyer ou avant de le réparer. **Remarque** : Si pour quelque raison que ce soit cet appareil nécessite un entretien, nous vous recommandons fortement de faire appel à un technicien certifié.
- Si votre ancien réfrigérateur n'est pas utilisé, nous vous recommandons de retirer les portes et de laisser les tablettes en place. Cela réduira les risques de danger pour les enfants.
- Ce réfrigérateur ne doit pas être encastré ou intégré dans une armoire fermée. Il est conçu pour une installation autonome uniquement.
- Ne faites pas fonctionner votre réfrigérateur en présence de vapeurs explosives.
- Une fois l'appareil éteint, il ne doit pas être redémarré dans les 5 minutes.
- Assurez-vous que le cordon d'alimentation n'est pas coincé sous des objets lourds, y compris l'appareil lui-même.
- Ne percez pas de trous et n'installez pas d'autres objets sur le boîtier.
- Ce réfrigérateur ne convient pas pour conserver des produits pharmaceutiques, du sang ou des produits biologiques.
- Ne placez aucun article lourd sur le dessus du réfrigérateur.

## INSTALLATION

### Déballage de votre réfrigérateur

- Enlever tous les matériaux d'emballage. Cela comprend la base en polystyrène et tous les adhésifs qui maintiennent les accessoires pour réfrigérateur en place, à la fois à l'intérieur et à l'extérieur.
- Inspectez le réfrigérateur et retirez tout film protecteur, ruban adhésif ou emballage resté sur l'appareil.

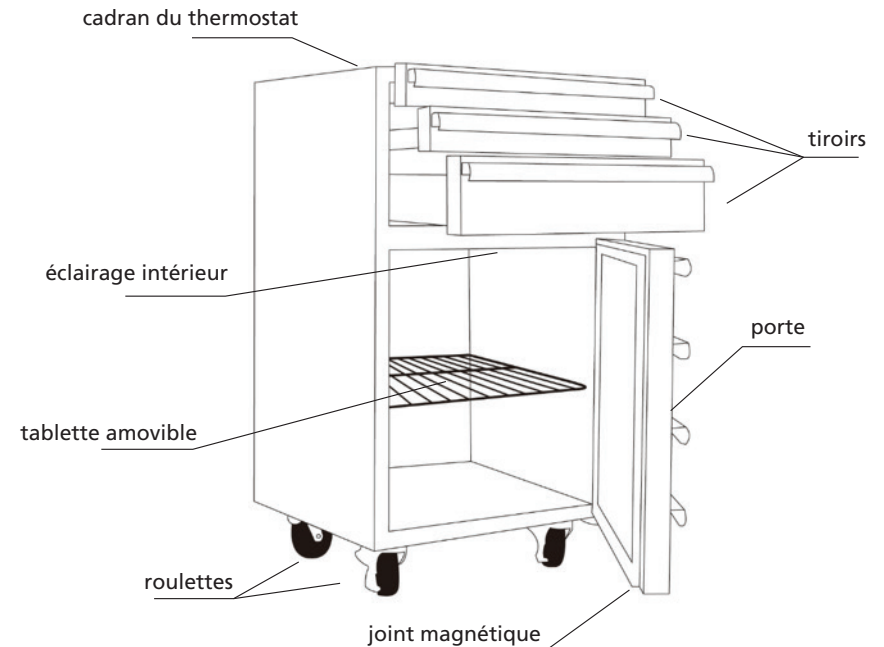
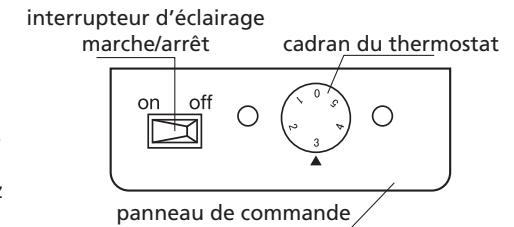
### Installation

- Nettoyez l'appareil avant de mettre le réfrigérateur sous tension.
- Placez-le à l'emplacement souhaité, branchez-le et laissez-le fonctionner à vide pendant 30 minutes.
- Réglez-le à la température souhaitée en fonction de la température ambiante.

### Cadran de sélection des températures

Votre réfrigérateur maintient automatiquement le niveau de température sélectionné. Le cadran de sélection des températures comporte 5 réglages en plus de « 0 ». 1 est le plus chaud. 5 est le plus froid. Tout d'abord, réglez le cadran sur 3 et laissez passer 24 heures avant de régler la température à vos besoins.

**REMARQUE : Si le réfrigérateur a été placé en position horizontale ou inclinée pendant une période quelconque, attendez 24 heures avant de le brancher.**



## DANGER! RISQUE DE PIÉGEAGE DES ENFANTS ÉLIMINATION APPROPRIÉE DE CE RÉFRIGÉRATEUR

Les réfrigérateurs abandonnés présentent un risque qu'un enfant puisse se retrouver piégé et suffoquer. Si l'ancien réfrigérateur doit être mis au rebut, suivez les instructions suivantes afin d'éviter les accidents. Enlevez la porte, mais laissez les tablettes en place de sorte que les enfants ne puissent pas y pénétrer facilement.

## INSTALLATION (suite)

### Circulation d'air adéquate

- Pour vous assurer que votre réfrigérateur fonctionne de la manière la plus efficace pour laquelle il a été conçu, vous devez l'installer dans un endroit où la circulation d'air, les raccordements électriques et de plomberie sont adéquats.
- Assurez un dégagement d'un angle ouvert de 160° pour ouvrir la porte.
- Les dégagements suivants sont recommandés autour du réfrigérateur :

Côtés.....4 po (10 cm)  
Dessus.....4 po (10 cm)  
Arrière.....8 po (20 cm)

### Spécifications électriques

- Assurez-vous d'utiliser une prise de courant appropriée correctement mise à la terre pour alimenter le réfrigérateur. Cet appareil utilise une alimentation de 110 V-120 V CA / 60 Hz, il devrait y avoir un stabilisateur de 500 va si la fluctuation de tension dépasse respectivement 98 V-127 V / 60 Hz.
- Évitez d'utiliser des adaptateurs à deux broches ou de couper la troisième broche de la fiche de mise à la terre aux fins de branchement dans une prise de courant à deux trous. Ceci est une pratique dangereuse car elle ne fournit pas de mise à la terre efficace au réfrigérateur et peut entraîner un risque de choc électrique.

### Utilisation de rallonges

- Évitez d'utiliser une rallonge en raison de risques potentiels pour la sécurité dans certaines conditions. En cas de besoin, utilisez uniquement une rallonge à 3 fils munie d'une fiche de mise à la terre à 3 broches et d'une prise à 3 alvéoles dans laquelle la fiche de l'appareil puisse être insérée. L'intensité nominale indiquée de la rallonge doit être égale ou supérieure à celle de l'appareil.

### Exigences d'emplacement

- N'installez pas votre réfrigérateur dans un endroit mal isolé. Ce réfrigérateur n'a pas été conçu pour fonctionner à des températures inférieures à 13 °C (55 °F).
- Choisissez un endroit approprié pour le réfrigérateur. L'appareil doit être placé sur une surface plane et dure, à l'abri de la lumière directe du soleil ou d'une source de chaleur, par exemple des radiateurs, des plinthes chauffantes, des appareils de cuisson, etc. Si le plancher est inégal, corrigez l'aplomb du réfrigérateur à l'aide des pieds de nivellement situés aux coins inférieurs.

## ENTRETIEN ET NETTOYAGE DU RÉFRIGÉRATEUR

### AVERTISSEMENT

Afin d'éviter les chocs électriques, débranchez toujours votre réfrigérateur avant de le nettoyer. Le non-respect de cet avertissement peut entraîner la mort, voire des blessures.

### MISE EN GARDE

Avant d'utiliser des produits de nettoyage, lisez et suivez toujours les instructions et avertissements du fabricant afin d'éviter toute blessure ou dommage du produit.

### NETTOYAGE

Préparez une solution de nettoyage de 3 à 4 cuillères à soupe de bicarbonate de soude mélangé à de l'eau chaude. Essayez le réfrigérateur à l'aide d'une éponge ou un chiffon doux imbibé de la solution de nettoyage.

- Rincez le réfrigérateur à l'eau propre et tiède, et séchez-le avec un chiffon doux.
- N'utilisez pas de produits chimiques forts, d'agents abrasifs, de produit nettoyant à base d'ammoniac, d'eau de Javel, de détergents concentrés, de solvants ou de tampons à récurer en métal. Certains de ces produits chimiques peuvent dissoudre, endommager et/ou décolorer votre réfrigérateur.

### JOINT D'ÉTANCHÉITÉ DE LA PORTE

Nettoyez le joint de la porte tous les trois mois conformément aux instructions générales. Le joint doit rester propre et souple pour assurer une étanchéité adéquate.

- Retirez le joint de la porte, lavez-le, séchez-le et réinstallez-le. Mettre de la poudre de talc sur la surface magnétique prolonge sa durée de vie.
- La vaseline appliquée légèrement du côté des charnières du joint aide à maintenir le joint pliable et assure une bonne étanchéité.

### REPLACEMENT DE L'AMPOULE

Retirez la cache ampoule, puis sortez l'ampoule grillée. Installez une nouvelle ampoule, puis remontez la cache ampoule.

### PANNES DE COURANT

Parfois, il peut y avoir des coupures de courant dues à des orages ou à d'autres causes. Retirez le cordon d'alimentation de la prise secteur en cas de panne de courant. Une fois le courant rétabli, rebranchez le cordon d'alimentation à la prise secteur. En cas de panne prolongée, inspectez et jetez les aliments avariés du réfrigérateur. Nettoyez le réfrigérateur avant de le réutiliser.

### MESURES À PRENDRE AVANT LES VACANCES ET LES DÉPLACEMENTS

Pour les longues vacances ou absences, videz le réfrigérateur de tout aliment, déplacez le cadran de température vers la position « 0 » et nettoyez le joint de la porte du réfrigérateur conformément à la section « Nettoyage ». Maintenez les portes ouvertes pour que l'air puisse circuler à l'intérieur. Lors du déplacement, déplacez toujours le réfrigérateur en position debout. Ne déplacez pas l'appareil en position horizontale. Le système scellé pourrait devenir endommagé.

### CONSEILS SUR LES ÉCONOMIES D'ÉNERGIE

- Le réfrigérateur doit être situé dans la zone la plus froide de la pièce, loin des appareils produisant de la chaleur ou des conduits de chauffage, et de la lumière directe du soleil.
- Laissez les aliments chauds refroidir à température ambiante avant de les placer dans le réfrigérateur. La surcharge du réfrigérateur force le compresseur à fonctionner plus longtemps et augmente ainsi la consommation d'énergie. Le refroidissement plus lent des aliments risque de les gâter et d'entraîner leur perte de qualité.
- Veillez à bien emballer les aliments et à essuyer les récipients avant de les mettre au réfrigérateur.
- Les clayettes ne doivent pas être recouvertes de papier aluminium, de papier ciré ou d'essuie-tout. Les recouvrements interfèrent avec la circulation de l'air froid, ce qui rend le réfrigérateur moins efficace.
- Afin de réduire les ouvertures de porte et les recherches prolongées, organisez les aliments. Retirez tous les aliments à la fois dont vous avez besoin, puis fermez la porte dès que possible.

## RÉSOLUTION DES PROBLÈMES

Vous pouvez résoudre de nombreux problèmes courants facilement et économiser ainsi le coût d'une visite de service. Essayez les suggestions ci-dessous pour voir si vous pouvez résoudre le problème avant d'appeler un technicien certifié.

### SI LE RÉFRIGÉRATEUR NE FONCTIONNE PAS

- Vérifiez si le cadran du thermostat se trouve sur la position « 0 ».
- Vérifiez si le réfrigérateur est branché.
- Vérifiez si la prise secteur est sous tension en vérifiant le disjoncteur.

### LA TEMPÉRATURE DES ALIMENTS SEMBLE TROP CHAUDE

- Ouverture de porte fréquente.
- Laissez du temps aux aliments chauds récemment rangés d'atteindre la température des aliments frais.
- Vérifiez l'étanchéité du joint.
- Réglez le cadran de sélection des températures au réglage plus froid.

### LA TEMPÉRATURE DES ALIMENTS EST TROP FROIDE

Si la température est trop froide, tournez le cadran de sélection des températures au réglage plus chaud et attendez plusieurs heures pour que la température s'abaisse.

### LE RÉFRIGÉRATEUR FONCTIONNE TROP FRÉQUEMMENT

- Cela peut être normal pour maintenir une température constante pendant les températures élevées et les jours humides.
- Les portes peuvent avoir été ouvertes fréquemment ou pendant une période prolongée.
- Vérifiez l'étanchéité du joint.
- Vérifiez si la porte est complètement fermée.

### ACCUMULATION D'HUMIDITÉ SUR L'INTÉRIEUR OU L'EXTÉRIEUR DU RÉFRIGÉRATEUR

- Ceci est normal pendant les périodes de forte humidité.
- Ouvertures fréquentes ou prolongées de la porte.
- Vérifiez l'étanchéité du joint de la porte.

### LE RÉFRIGÉRATEUR A UNE ODEUR

- L'intérieur doit être nettoyé.
- Les aliments mal emballés ou scellés dégagent des odeurs.

### LA PORTE DU RÉFRIGÉRATEUR NE SE FERME PAS CORRECTEMENT

- Nivelez le réfrigérateur.
- Fixez l'alignement de la porte du réfrigérateur.
- Vérifiez s'il y a quelque chose qui bloque l'ouverture de la porte, par exemple les récipients alimentaires, les tablettes, etc.

### BRUITS DE CLAQUEMENT OU DE CRAQUEMENT LORSQUE LE COMPRESSEUR SE MET EN MARCHÉ

- Veillez à ce que le réfrigérateur est d'aplomb.
- Le plancher peut être inégal ou faible. Le réfrigérateur bascule légèrement sur le plancher. Assurez-vous que le plancher peut supporter adéquatement le réfrigérateur. Mettez le réfrigérateur à niveau en plaçant des cales en bois ou en métal sous une partie du réfrigérateur.
- Le réfrigérateur touche le mur. Déplacez-le un peu plus loin du mur et nivelez le réfrigérateur à nouveau. Consultez la section « INSTALLATION ».

### LA LUMIÈRE NE S'ALLUME PAS

L'ampoule est grillée. Remplacez l'ampoule.

### CARACTÉRISTIQUES TECHNIQUES

Pour les caractéristiques détaillées, veuillez vous référer à la plaque signalétique à l'arrière de l'appareil. Les caractéristiques peuvent être modifiées sans préavis en raison de l'amélioration des produits.

## INFORMATION DE CONSERVATION DES ALIMENTS

### PRODUITS FRAIS

- Lorsque vous conservez des aliments frais non préemballés, assurez-vous de les emballer ou de les conserver dans un matériau étanche à l'air et à l'humidité, sauf indication contraire. Cela garantira une durée de conservation appropriée et empêchera le transfert des odeurs et des goûts.
- Essuyez les récipients avant de les ranger afin d'éviter les déversements inutiles.
- Les œufs doivent être conservés en position verticale dans leur carton d'origine afin de maximiser leur durée de conservation.
- Les fruits doivent être lavés et séchés, puis conservés dans des sacs en plastique scellés avant de les ranger au réfrigérateur.
- Les légumes avec peaux doivent être conservés dans des sacs ou des récipients en plastique.
- Les légumes feuilles doivent être lavés et égouttés puis conservés dans des sacs ou des récipients en plastique.
- Laissez les aliments chauds refroidir avant de les ranger dans le réfrigérateur. Cela empêchera une consommation d'énergie inutile.
- Les fruits de mer frais doivent être consommés le jour même de l'achat.
- Lorsque vous conservez des viandes dans la section des aliments frais, conservez-les dans leur emballage d'origine ou réemballez-les si nécessaire. Suivez les suggestions ci-dessous pour la conservation en toute sécurité :

– Poulet 1 à 2 jours

– Boeuf haché 1 à 2 jours

– Charcuteries 3 à 5 jours

– Steaks / rôtis 3 à 5 jours

– Smoked meat / viande séchée 7 à 10 jours

– Autres aliments 1 à 2 jours

### Bruits de fonctionnement normaux que vous pouvez entendre

- Des bruits de gargouillement ou de légères vibrations résultant de la circulation du produit réfrigérant dans les serpentins de refroidissement.
- La commande du thermostat fait un bruit de cliquetis lorsqu'elle est activée et désactivée.