

WARRANTY / GARANTIE

2 Year
Limited Warranty

FOR TWO YEARS from the date of sale this product is warranted against defects in material or workmanship.

WITH PROOF OF SALE a defective product will be repaired or replaced free of charge.

The Kenmore brand is used under license. Direct all claims for warranty service to Koolatron Customer Assistance, call 1-800-265-8456 or email service@koolatron.com

This warranty covers manufacturer's defects including electrical and mechanical defects provided the appliance is correctly assembled, operated and maintained according to the supplied instructions. It does not cover damage caused by accident, misuse or abuse including overheating, unauthorized repairs or alterations, or use with a voltage converter or aftermarket accessories, and it does not apply to scratches, stains, discoloration or other surface damage that does not impair the product function. This warranty is void if the appliance is ever used for purposes other than private household use.

2 Ans
Garantie limitée

PENDANT DEUX ANS à compter de la date d'achat d'origine ce produit Kenmore sera exempt de défauts de matériaux ou de fabrication.

Un produit défectueux sera réparé ou remplacé gratuitement, AVEC PREUVE DE VENTE.

Le nom de marque Kenmore est utilisé sous licence. Adressez toutes les demandes de service de garantie à Service à la clientèle du Koolatron, au 1-800-265-8456 ou en envoyant un courriel à service@koolatron.com

La présente garantie couvre les défauts de fabrication, y compris les défauts électriques et mécaniques, à condition que l'appareil soit correctement assemblé, utilisé et entretenu conformément aux instructions fournies. La présente garantie ne couvre pas les dommages causés par un accident, une mauvaise utilisation ou un abus, y compris la surchauffe, les réparations ou modifications non autorisées, ou l'utilisation avec un convertisseur de tension ou des accessoires de rechange, et elle ne s'applique pas aux rayures, taches, décoloration ou autres dommages de surface qui n'affectent pas le fonctionnement du produit. La présente garantie est nulle si l'appareil est utilisé à des fins autres que l'usage domestique privé.

Koolatron Corporation
4330 Commerce Dr., Batavia, NY 14020 USA
139 Copernicus Blvd., Brantford, ON N3P1N4 Canada

Kenmore and the Kenmore logo are registered trademarks to Transform SR Brands Management LLC and are used under license by Koolatron Corporation
Kenmore et le logo Kenmore sont des marques déposées de Transform SR Brands Management LLC et sont utilisées sous licence par Koolatron Corporation

11/2023-v3

H15369

Kenmore^{®/MD}



Variable Speed Immersion Blender Set Ensemble de mélangeur à main à vitesse variable



Customer Assistance
Service à la clientèle
1-800-265-8456
www.koolatron.com

KKIBC5SS

Use & Care Guide
Guide d'utilisation et d'entretien

IMPORTANT SAFEGUARDS

When using your Kenmore Immersion Blender Set, basic safety precautions should always be followed, including the following:

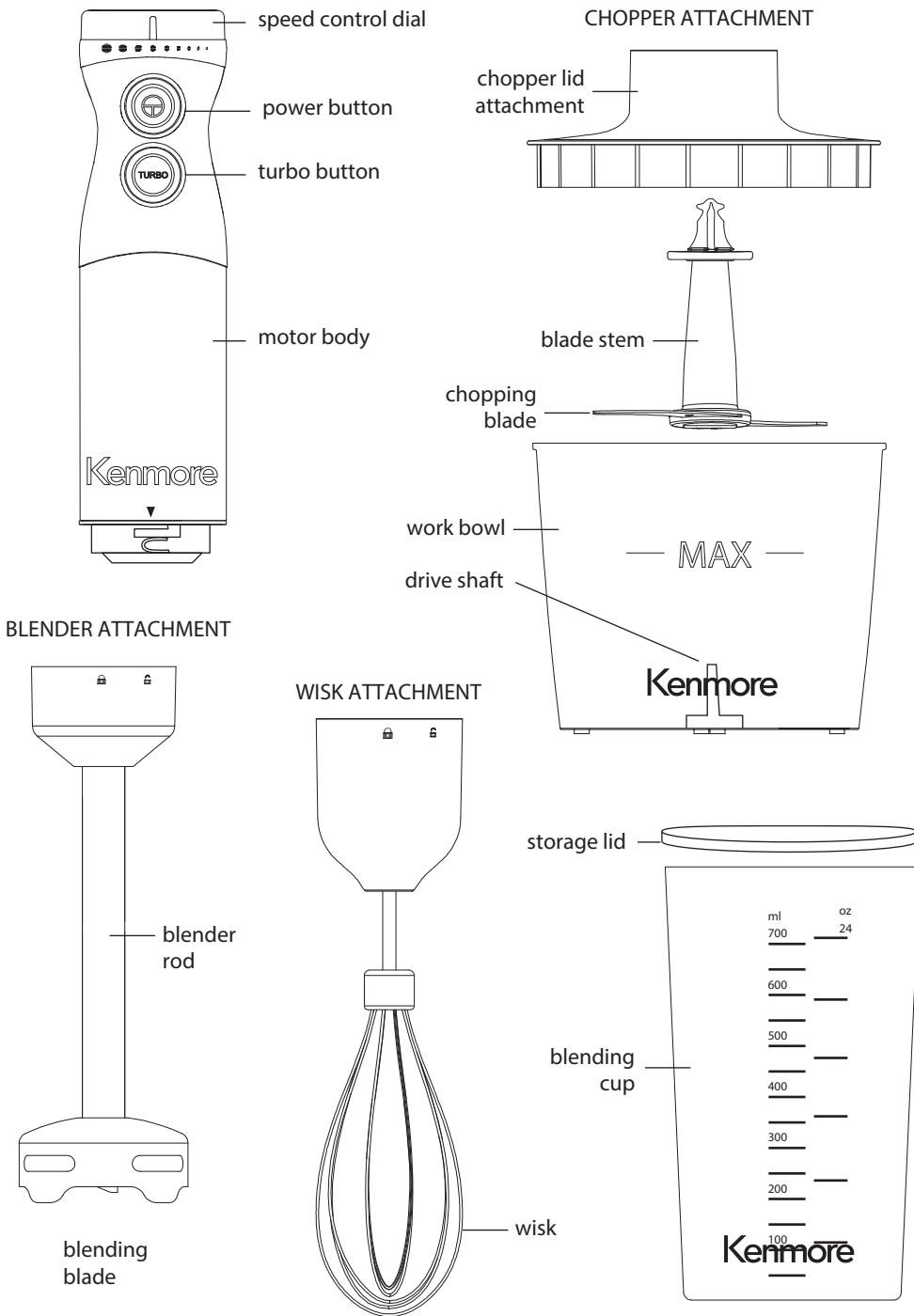
1. READ ALL INSTRUCTIONS BEFORE USE
2. Before using the appliance for the first time, remove any packaging material, promotional labels, and stickers. Safely dispose of plastic bags or small pieces that could present a suffocation or choking hazard to young children.
3. PLACEMENT: To protect against fire, injury, electrical shock, or property damage, observe the following safeguards:
 - a. Do not use near the edge of a counter or table or on a wet or uneven surface;
 - b. Do not set up the blending cup or food chopper on or near a hot surface such as a stovetop or cooking pot;
 - c. Do not use on a metal surface such as a sink drain board.
4. Before using, check that the voltage of the wall outlet corresponds to the one shown on the rating plate. If an extension cord is used, the marked electrical rating of the extension cord must be at least as great as the electrical rating of the appliance. Do not attempt to use the appliance with a voltage converter.
5. Fully unwind cord before use. Do not let the cord become knotted, hang over the edge of a counter or table, or contact hot surfaces, such as a stovetop or cooking pot.
6. Do not attempt to operate the appliance if there is damage to the cord or plug, after it has malfunctioned or been dropped or damaged in any way, if it is not operating properly, or if the blending or chopping blades are bent or damaged in any way. Do not attempt to sharpen the blades. Take the appliance to the nearest authorized service facility for examination and repair.
7. Always unplug the appliance from the power source when not in use and before cleaning. To unplug, grasp plug and pull it from the electrical outlet; never unplug it by pulling on the power cord.
8. This appliance is recommended for indoor household use only. Do not operate in moving vehicles or boats and do not operate outdoors. Using this appliance for anything other than its intended use (non-commercial household food preparation) will void your warranty.
9. This appliance is not intended for use by persons, including children, with reduced physical, sensory or mental capabilities, or lack of experience and knowledge, without supervision and instruction by a person responsible for their safety. Children should be supervised to ensure they do not play with the appliance.
10. Ensure the appliance is properly assembled before connecting to a power outlet and operating. Do not attempt to defeat the safety interlocks at any time.

IMPORTANT SAFEGUARDS

11. Do not leave the appliance unattended while in use.
12. To protect against electrical shock, do not immerse the motor body, power cord, or electrical plug in any liquid. Only the blending rod, whisk, and chopper attachments are designed for immersion in liquids for blending or cleaning. Always remove the attachments from the motor body before cleaning them.
13. If the motor body falls into any liquid, immediately unplug the power cord and then remove from liquid. Do not reach into the liquid without first unplugging the unit.
14. To reduce the risk of personal injury and/or damage to the appliance, keep hands, hair, clothing, and utensils away from attachments and out of the mixing container during operation. Avoid any contact with moving parts.
15. To reduce the risk of injury, never place cutting blade on base without first putting bowl properly in place.
16. Be certain cover is securely locked in place before operating appliance.
17. The blending and chopping blades are extremely sharp. Use extreme caution and avoid contact with cutting edges when handling and cleaning the blades.
18. To reduce the risk of injury when assembling chopper attachment, set the work bowl on the work surface and check the work bowl for the presence of foreign objects before placing the chopping blade on its base.
19. Ensure that the chopping blade, lid, and motor body are all properly positioned before attempting to operate the chopper attachment. Release the power button and wait until the blade has completely stopped rotating before removing the chopper lid.
20. When blending liquids, especially hot liquids, use a tall container or process small quantities at a time to reduce the risk of spilling, splattering, and/or burning injury.
21. Do not use the appliance to chop ice or to blend hard and dry substances as this could damage the blade.
22. Do not attempt to operate the appliance by any method other than as described in this manual. Aftermarket attachments or accessories not recommended by Kenmore will void your warranty and may cause fire, electrical shock, or injury.
23. For any maintenance other than cleaning, call or email Koolatron Customer Assistance.

SAVE THESE INSTRUCTIONS!

PARTS AND FEATURES



SET UP AND ASSEMBLY



WARNING - To protect against electric shock, ALWAYS UNPLUG the unit from the electric outlet before disassembling or cleaning.

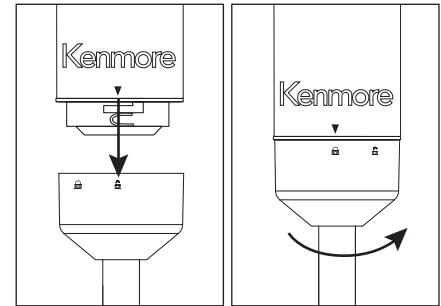
Before using the Kenmore Variable Speed Immersion Blender for the first time, wipe the motor body and all attachments with a clean, damp cloth to remove any dirt or dust. Dry thoroughly with a soft cloth.



WARNING - The blending and chopping blades are extremely sharp. Use caution when handling and avoid contact with the cutting edges.

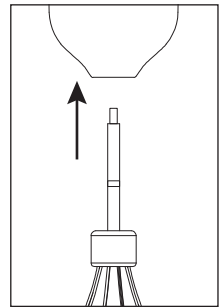
IMMERSION BLENDER

1. Align arrow on motor body with "unlock" icon on blending rod (Fig. 1).
2. Push the two pieces together and rotate blending rod until arrow aligns with "lock" icon (Fig. 2)
3. To disassemble, rotate blending rod until arrow aligns with "unlock" icon and pull motor body and blending rod apart.



WHISK

1. Insert whisk into whisk adapter and push firmly into place (Fig. 3).
2. Align arrow on motor body with "unlock" icon on whisk adapter.
3. Push the two pieces together and rotate whisk adapter until arrow aligns with "lock" icon.
4. To disassemble, rotate whisk adapter until arrow aligns with "unlock" icon and pull whisk adapter and motor body apart.
5. Firmly grasp whisk and whisk adapter in your hands and pull apart.



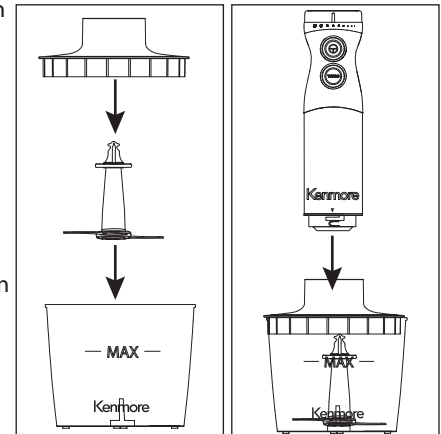
FOOD CHOPPER

1. Set the empty work bowl on a dry, level surface.
2. Carefully position the chopping blade on the drive shaft in the center of the work bowl and gently turn until the blade settles into its correct position.



WARNING - The chopping blade is extremely sharp. Always hold it by the blade stem and use caution when handling and cleaning.

3. Add food to the work bowl. Do not fill past "max."
4. Place the chopper lid on the work bowl.
5. Align motor body with chopper lid and press down while operating. Do not twist the motor body or attempt to lock it in place.
6. To disassemble, lift each part straight up starting with the motor body, then chopper lid, and then chopping blade.



CARE AND CLEANING



WARNING - To protect against electric shock, ALWAYS UNPLUG the appliance from the electric outlet before disassembling or cleaning.

Always clean motor body and attachments thoroughly after using. To simplify the cleaning process, rinse attachments immediately after use to prevent food from drying on them.



QUICK CLEANING - Immerse the blending blade or whisk in a cup of water and run for a few seconds to rinse between processing tasks.

MOTOR BODY

Unplug the appliance from the power source before disassembling or cleaning. Wipe the motor body with a damp sponge or cloth, using a small amount of mild dish soap if needed. Do not use abrasive cleaners that could scratch the surface and do not immerse the motor body in water.

BLENDER ATTACHMENT



WARNING - The blending blade is extremely sharp. Use caution and avoid contact with the cutting edges when handling or cleaning.

Detach the blending rod from the motor body. Wash the blending rod in hot water with a small amount of mild dish soap or on the top rack of the dishwasher and dry completely.

WHISK ATTACHMENT

Detach the whisk attachment from the motor body. Firmly grasp the whisk and whisk adapter in your hands and pull apart. Wipe the whisk adapter with a damp sponge or cloth, using a small amount of mild dish soap if needed. Do not use abrasive cleaners and do not immerse in water. Wash the whisk in warm soapy water or on the top rack of the dishwasher and dry completely.

CHOPPER ATTACHMENT



WARNING - The chopping blade is extremely sharp. Use caution when handling and do not leave in soapy water where it may disappear from sight.

Wipe the chopper lid with a damp sponge or cloth, using a small amount of mild dish soap if needed. Do not use abrasive cleaners and do not immerse in water. Wash the work bowl and chopping blade in warm soapy water or on the top rack of the dishwasher and dry completely. Do not use the work bowl for storing food.

BLENDING CUP AND LID

Wash the blending cup and lid in warm soapy water or on the top rack of the dishwasher and dry completely.

USING YOUR BLENDER

The immersion blender is perfectly suited for mixing and puréeing a wide assortment of foods, including dips, salad dressings, soups, milkshakes, smoothies, sauces, and gravy.



WARNING - The blending blade is extremely sharp. Use caution and avoid contact with the cutting edges when handling or cleaning.

1. Assemble the immersion blender according to the instructions found on Page 4.
2. Plug the appliance into the electrical outlet.
3. Turn the speed selector dial to your desired blending speed.
4. Lower the wand into the blending cup or other vessel until the blade is completely submerged.
5. Hold down the "Power" button and move the blender gently up and down through the ingredients, ensuring that the top 1 inch of the blending rod stays out of the liquid.



IMPORTANT - To prevent overheating, do not run the blender for more than 1 minute at a time and let it rest for at least 3 minutes after two consecutive cycles.

6. Release the power button to stop blending.
7. Turn the speed selector dial to adjust the speed while blending.
8. Pulse the "Turbo" button for a burst of high speed blending as needed. You do not have to hold the "Power" button when using the Turbo pulse.

TIPS AND IDEAS

- **Immersion blending means less cleanup** - Process large quantities of foods such as soups right in the cooking pot with no blending jar to wash or spills to wipe. Be careful not to leave the blender in a hot pot while not in use.
- **Prevent messes** - Make sure the blade is completely submerged before blending to avoid splattering. Tilt shallow pots or pans away from you to create a deeper area for blending and reduce the risk of hot liquid burning you.
- **Pureé silky smooth soups and sauces** - Gently move the blending rod up and down while processing to ensure a uniform consistency.
- **Use the blending cup for processing and storage** - When using the blending cup, pour liquid ingredients in first and cut solid foods like fruits and vegetables into ½-inch pieces for faster, smoother results. Pop the lid on for storage or make-and-take convenience.
- **Make perfect pancake or cake batter** - Blend the ingredients thoroughly and then hold the blending blade just below the surface to whip extra air into the mixture. Be careful not to overfill your container as the level will rise when blending.
- **Use the "drawing up" method for thorough mixing** - Hold the immersion blender at an angle at the bottom of the mixing cup and slowly pull it up side to draw ingredients up from the bottom. Be careful not to scratch the bottom or sides when using this method in non-stick pots or pans.

USING YOUR WHISK

Whisks are used to quickly mix liquids such as crêpe batters, to combine difficult to mix ingredients like oil and vinegar, and to incorporate air to increase the volume of foods like whipped cream and egg whites.

1. Assemble the whisk according to the instructions found on Page 4.
2. Plug the appliance into the electrical outlet.
3. Turn the speed selector dial to your desired whisking speed.
4. Lower the whisk into the blending cup or other container.
5. Hold down the "Power" button and move the whisk gently up and down through the mixture, ensuring that the top of the whisk attachment stays at least 1 inch away from the liquid.



IMPORTANT - To prevent overheating, do not run the blender for more than 1 minute at a time and let it rest for at least 3 minutes after two consecutive cycles.

6. Release the power button to stop whisking.
7. Turn the speed selector dial to adjust the speed while whisking.
8. Pulse the "Turbo" button for a burst of high speed whisking as needed. You do not have to hold the "Power" button when using the Turbo pulse.

TIPS AND IDEAS

- **Elevate your morning coffee** - Warm a small amount of milk in the microwave or on the stove and then whisk to transform it into creamy foam for the perfect latté.
- **Whip heavy cream in no time** - Speed up the process by chilling your whisk and mixing container and using cream straight from the refrigerator. Add your favorite sweeteners and spices before whipping to punch the flavor up a notch - try maple syrup, pure vanilla, cinnamon, or instant espresso powder.
- **Effortlessly airy egg whites** - Beat egg whites in a metal or glass bowl, never plastic, and wipe the bowl and whisk carefully to remove any traces of oil or fat. Whisk at low speed until small bubbles start to form and then gradually increase to medium. If the recipe calls for sugar, add it slowly when soft peaks just begin to form.
- **Know your peaks** - Check your egg whites every minute to prevent over-beating by lifting the whisk out of the mixture and holding it sideways. At the soft peak stage, the egg whites will form a snowy peak with a curled tip. Stiff peaks are pointed and hold their shape however you turn the whisk. You can help stabilize your egg whites by adding a pinch of salt, a tiny amount (less than 1/8 tsp) of vinegar or lemon juice, or 1/8 tsp of cream of tartar per egg during the foaming stage.

USING YOUR CHOPPER

The chopper is a versatile tool that can chop, mix, pureé, mince, and emulsify all kinds of foods, including hard-to-chop ingredients like nuts or cooked meat.



WARNING - The chopping blade is extremely sharp. Use caution and avoid contact with the cutting edges when handling or cleaning.

1. Assemble the food chopper according to the instructions found on Page 4.
2. Plug the appliance into the electrical outlet.
3. Turn the speed selector dial to your desired speed and check that the work bowl, blade, lid, and motor body are correctly aligned.
4. Press down with the motor body and hold down the "Power" button to operate.



IMPORTANT - To prevent overheating, do not run the blender for more than 1 minute at a time and let it rest for at least 3 minutes after two consecutive cycles.

5. Release the power button to stop chopping.
6. Turn the speed selector dial to adjust the speed while chopping.
7. Pulse the "Turbo" button for a burst of high speed blending as needed. You do not have to hold the "Power" button when using the Turbo pulse.

TIPS AND IDEAS

- **Lightning-fast recipe prep** - Process ingredients like onion, garlic, celery, and herbs to cut down on prep time. Peel and core raw ingredients and remove any seeds, pits, or bones. Pulse in 1 second increments to chop or process continuously for up to 10 seconds to mince or pureé, stopping to scrape the sides of the work bowl as necessary.
- **Fresh, homemade baby food** - Feed your little one the same healthy, home-cooked dinner you're having. Place a small portion in the work bowl, add a splash of water or broth, and process, adding more liquid if needed until you reach your desired consistency.
- **Pump up the flavor with compound butters** - Compound butter is a simple mixture of butter and sweet or savory ingredients like honey, herbs, and spices and is a great way to enhance pasta, grilled meats, or baked goods. Use your food chopper to combine softened unsalted butter with your chosen ingredients and spoon into a bowl for serving.
- **Transform your meats** - A typical marinade has 3 components: an acid like vinegar or citrus juice, an oil, and flavoring agents such as herbs and spices. Process the ingredients in your food chopper and then marinate the meat in the refrigerator to elevate even the toughest cut of meat into a show-stopping dinner. Make sure not to fill the work bowl past the "Max" line to avoid spills.

RECIPES

CREAMY AVOCADO SHAKE

Avocado brings a buttery texture and tons of healthy fats to this decadent smoothie. This simple recipe is the perfect base for your creativity: Try adding cocoa powder; substitute any non-dairy milk product; or swap the honey for stevia or maple syrup.

Prep Time: 5 min

Total Time: 5 min

Yield: 2 servings

INGREDIENTS

- 1 cup milk
- 1 ripe avocado, peeled and pitted
- 1 frozen banana, cut into chunks
- 3 tbsp honey

DIRECTIONS

1. Pour milk into the blending cup first, then add remaining ingredients.
2. Using blender attachment, blend until smooth.
3. Serve immediately.

CHIVE AND CHEDDAR CLOUD EGGS

Originating in 17th century France, cloud eggs are a baked breakfast dish consisting of whipped egg whites topped with a runny yolk. As beautiful to look at as they are delicious, they are surprisingly simple to make and easy to customize to your own taste.

Prep Time: 15 min

Total Time: 21 min

Yield: 4 servings

INGREDIENTS

- 8 large eggs, separated
- ½ cup sharp cheddar cheese, finely grated
- 1 tbsp thinly sliced chives, plus more to garnish
- Salt and pepper

DIRECTIONS

1. Preheat oven to 450°F and lightly grease a large baking sheet.
2. Whisk egg whites to stiff peaks. Gently fold in cheese and chives and season with salt and pepper.
3. Spoon egg whites onto prepared baking sheet in 8 evenly spaced mounds. Make a small well in the middle of each mound and bake until lightly golden, about 3 minutes.
4. Spoon an egg yolk into each nest and season with salt and pepper. Bake until yolks are just set, about 3 minutes more.
5. Garnish with remaining chives and serve immediately.

SAGE WALNUT PESTO

The distinctive woody, peppery-sweet flavor of sage and slight bitterness of toasted walnuts complement each other perfectly in this versatile pesto. Try it on everything from fresh pasta to grilled cheese sandwiches.

Prep Time: 5 min

Total Time: 5 min

Yield: 1 cup

INGREDIENTS

- 1 cup fresh sage leaves
- 1 cup fresh flat leaf parsley
- 2 cloves garlic
- ½ tsp freshly ground black pepper
- ½ cup extra-virgin olive oil
- 2 tbsp lemon juice
- Salt and pepper to taste

DIRECTIONS

1. Combine sage, parsley, garlic, walnuts, and pepper in food chopper and pulse until coarsely chopped. Add lemon juice.
2. Add olive oil 1-2 tbsp at a time and process until smooth. Season with salt and pepper.
3. Refrigerate in an airtight container for up to one week or freeze for up to 12 months.

CONSIGNES DE SÉCURITÉ IMPORTANTES

Lorsque vous utilisez votre ensemble de mélangeur à main Kenmore, des précautions de sécurité de base doivent toujours être suivies, notamment les suivantes :

1. LIRE TOUTES LES CONSIGNES AVANT D'UTILISER L'APPAREIL

2. Avant d'utiliser le mélangeur pour la première fois, retirez les matériaux d'emballage et les étiquettes promotionnelles et jetez en toute sécurité les sacs en plastique ou les petits morceaux qui pourraient présenter un risque de suffocation ou d'étouffement pour les jeunes enfants.

3. MISE EN PLACE : Afin vous protéger contre les incendies, les blessures, les chocs électriques ou les dommages à l'appareil, respectez les mesures de sécurité ci-après :

a. Ne l'utilisez pas près du bord d'un comptoir ou d'une table ou sur une surface humide ou inégale;

b. Ne l'installez pas sur ou à proximité d'une surface chaude telle qu'une cuisinière ou une marmite;

c. Ne l'utilisez pas sur une surface métallique telle qu'un égouttoir d'évier.

4. Avant d'utiliser le mélangeur, vérifiez que la tension de la prise murale correspond à celle indiquée sur la plaque signalétique. Si une rallonge est utilisée, la puissance électrique marquée de la rallonge doit être au moins aussi élevée que la puissance électrique de l'appareil. N'essayez pas d'utiliser l'appareil avec un convertisseur de tension.

5. Déroulez complètement le cordon avant d'utiliser l'appareil. Ne laissez pas le cordon se nouer, pendre sur le bord d'un comptoir ou d'une table, ou entrer en contact avec des surfaces chaudes, telles qu'une cuisinière ou une marmite.

6. N'essayez pas de le faire fonctionner s'il y a des dommages au cordon ou à la fiche, après qu'il a mal fonctionné ou qu'il a été tombé ou endommagé de quelque manière que ce soit, s'il ne fonctionne pas correctement, ou si les lames de mixage ou de hachage sont pliées ou endommagées de quelque manière que ce soit. N'essayez pas d'affûter les lames. Apportez l'appareil au centre de service agréé le plus proche pour examen et réparation.

7. Débranchez toujours l'appareil de la source d'alimentation lorsqu'il n'est pas utilisé et avant de le nettoyer, de l'assembler, de le démonter ou de le ranger. Pour débrancher, saisissez la fiche et retirez-la de la prise électrique; ne débranchez jamais l'appareil en tirant sur le cordon d'alimentation.

8. Cet appareil est seulement recommandé pour un usage domestique. Ne l'utilisez pas dans des véhicules ou des bateaux en mouvement et ne l'utilisez pas à l'extérieur. L'utilisation de cet appareil pour autre chose que son utilisation prévue, la préparation d'aliments domestiques non commerciaux, annulera votre garantie.

9. Cet appareil n'est pas destiné à être utilisé par des personnes (y compris des enfants) ayant des capacités physiques, sensorielles ou mentales réduites, ou un manque d'expérience et de connaissances, sauf si elles sont supervisées ou ont été formées par une personne responsable de leur sécurité. Les enfants doivent être surveillés pour s'assurer qu'ils ne jouent pas avec l'appareil.

CONSIGNES DE SÉCURITÉ IMPORTANTES

10. Assurez-vous que l'appareil est correctement assemblé avant de le brancher sur une prise de courant et de l'utiliser. N'essayez jamais de désactiver les interrupteurs de verrouillage de sécurité.

11. Ne laissez pas l'appareil sans surveillance pendant le fonctionnement.

12. Pour vous protéger contre les chocs électriques, ne plongez pas le corps du moteur, le cordon d'alimentation ni la fiche électrique dans du liquide. Seuls les accessoires de tige de mélange, fouet et hachoir sont conçus pour être immergés dans des liquides pour le mélange ou le nettoyage. Retirez toujours les accessoires du corps du moteur avant de les nettoyer.

13. Si le corps du moteur tombe dans un liquide, débranchez immédiatement le cordon d'alimentation, puis retirez-le du liquide. Ne touchez pas le liquide sans avoir d'abord débranché l'appareil.

14. Pour réduire le risque de blessures ou de dommages à l'appareil, gardez les mains, les cheveux, les vêtements et les ustensiles à l'écart des accessoires et hors du récipient de mixage pendant le fonctionnement. Évitez tout contact avec les pièces mobiles.

15. Pour réduire le risque de blessure, ne placez jamais la lame de coupe sur la base sans d'abord mettre le bol correctement en place.

16. Assurez-vous que le couvercle est bien verrouillé en place avant d'utiliser l'appareil.

17. Les lames de mixage et de hachage sont extrêmement tranchantes. Soyez extrêmement prudent et évitez tout contact avec les bords tranchants lors de la manipulation et du nettoyage des lames.

18. Pour réduire le risque de blessure lors de l'assemblage de l'accessoire de hachage, placez le bol de travail sur le comptoir et vérifiez qu'il n'y a pas de corps étrangers dans le bol de travail avant de placer la lame de hachage sur sa base.

19. Assurez-vous que la lame de hachage, le couvercle et le corps du moteur sont correctement positionnés avant d'essayer d'utiliser l'accessoire de hachoir. Relâchez le bouton d'alimentation et attendez que la lame ait complètement cessé de tourner avant de retirer le couvercle du hachoir.

20. Lorsque vous mélangez des liquides, en particulier des liquides chauds, utilisez un grand récipient ou préparez de petites quantités à la fois pour réduire le risque de renversement, d'éclaboussures ou de brûlures.

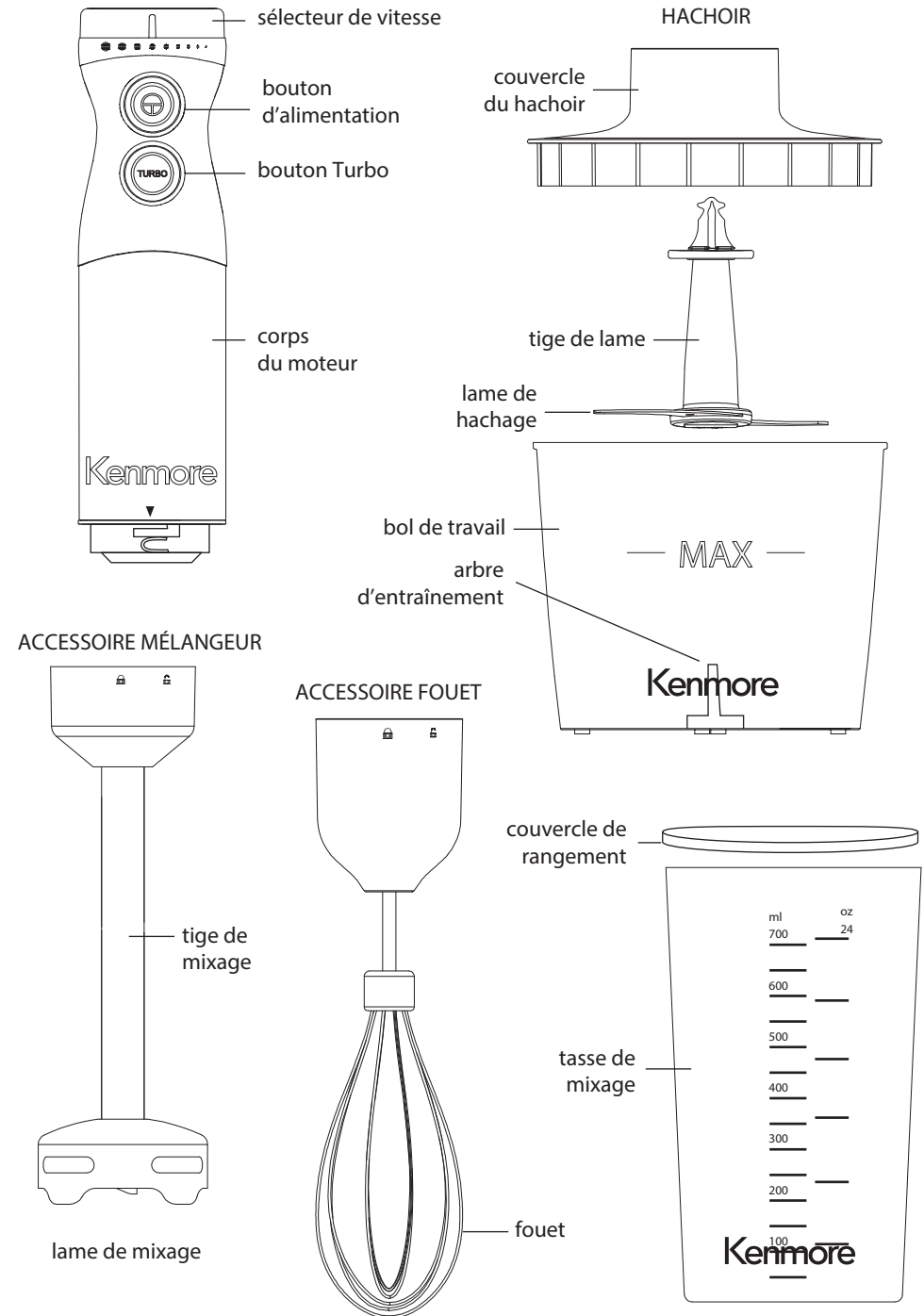
21. N'utilisez pas l'appareil pour hacher de la glace ou mélanger des substances dures et sèches car cela pourrait endommager la lame.

22. N'essayez pas de faire fonctionner l'appareil par une méthode autre que celle décrite dans ce manuel. L'utilisation d'accessoires de rechange non recommandés par Kenmore entraînera la nullité de votre garantie et pourrait provoquer un incendie, un choc électrique ou des blessures.

23. Pour tout entretien autre que le nettoyage, appelez le service à la clientèle Koolatron.

CONSERVEZ CES INSTRUCTIONS !

PIÈCES ET CARACTÉRISTIQUES



ASSEMBLAGE ET UTILISATION



AVERTISSEMENT - Pour vous protéger contre les chocs électriques, DÉBRANCHEZ TOUJOURS l'appareil de la prise électrique avant de le démonter ou de le nettoyer.

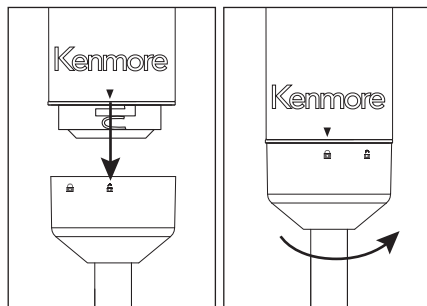
Avant d'utiliser le mélangeur à main à vitesse variable Kenmore pour la première fois, essuyez le corps du moteur et tous les accessoires avec un chiffon propre et humide pour enlever toute saleté ou poussière. Séchez soigneusement avec un chiffon doux.



AVERTISSEMENT - Les lames de mixage et de hachage sont extrêmement tranchantes. Soyez prudent lors de la manipulation et évitez tout contact avec les bords tranchants.

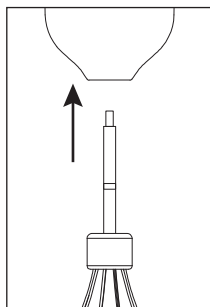
MÉLANGEUR À MAIN

1. Alignez la flèche sur le corps du moteur avec l'icône « déverrouiller » sur la tige de mélange (fig. 1).
2. Poussez les deux pièces ensemble et faites tourner la tige de mélange jusqu'à ce que la flèche s'aligne avec l'icône « verrouiller » (fig. 2)
3. Pour démonter, faites pivoter la tige de mélange jusqu'à ce que la flèche s'aligne avec l'icône « déverrouiller » et séparez le corps du moteur et la tige de mélange.



FOUET

1. Insérez le fouet dans l'adaptateur de fouet et poussez fermement en place (fig. 3).
2. Alignez la flèche sur le corps du moteur avec l'icône « déverrouiller » sur l'adaptateur de fouet.
3. Poussez les deux pièces ensemble et faites tourner l'adaptateur de fouet jusqu'à ce que la flèche s'aligne avec l'icône « verrouiller » (fig. 2)
4. Pour démonter, faites pivoter l'adaptateur de fouet jusqu'à ce que la flèche s'aligne avec l'icône « déverrouiller » et séparez le corps du moteur et l'adaptateur de fouet.
5. Saisissez fermement le fouet et l'adaptateur de fouet dans vos mains et séparez-les.



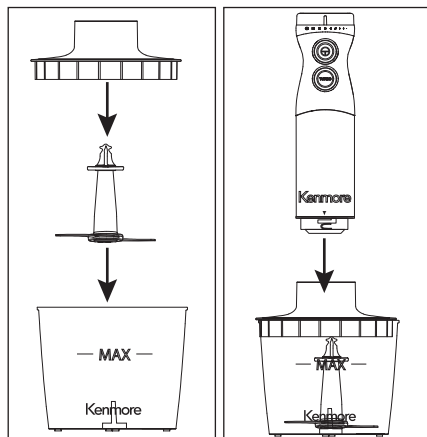
HACHOIR

1. Placez le bol de travail vide sur une surface sèche et plane.
2. Positionnez soigneusement la lame à hacher sur l'arbre d'entraînement au centre du bol de travail et tournez doucement jusqu'à ce que la lame s'enclenche dans sa bonne position.



AVERTISSEMENT - La lame de hachage est extrêmement tranchante. Tenez-la toujours par la tige et soyez prudent lors de la manipulation et du nettoyage.

3. Ajoutez les aliments dans le bol de travail. Ne dépassez pas le repère « max ».
4. Placez le couvercle du hachoir sur le bol de travail.
5. Alignez le corps du moteur avec le couvercle du hachoir et appuyez vers le bas pendant le hachage. Ne tournez pas le corps du moteur et n'essayez pas de le verrouiller en place.
6. Pour démonter, levez chaque pièce vers le haut en commençant par le corps du moteur, puis le couvercle du hachoir, puis la lame de hachage.



ENTRETIEN ET NETTOYAGE



AVERTISSEMENT - Pour vous protéger contre les chocs électriques, DÉBRANCHEZ TOUJOURS l'appareil de la prise électrique avant de le démonter ou de le nettoyer.

Nettoyez toujours soigneusement le corps du moteur et les accessoires après utilisation. Pour simplifier le processus de nettoyage, rincez les accessoires immédiatement après utilisation pour éviter que les aliments ne sèchent dessus.



NETTOYAGE RAPIDE - Plongez la lame de mélange ou le fouet dans une tasse d'eau et faites fonctionner pendant quelques secondes pour rincer entre les tâches de traitement.

CORPS DU MOTEUR

Débranchez l'appareil de la source d'alimentation avant de le démonter ou de le nettoyer. Essuyez le corps du moteur avec une éponge ou un chiffon humide, en utilisant une petite quantité de savon à vaisselle doux si nécessaire. N'utilisez pas de nettoyeurs abrasifs qui pourraient rayer la surface et ne plongez pas le corps du moteur dans l'eau.

ACCESSOIRE MÉLANGEUR



AVERTISSEMENT - La lame de mixage est extrêmement tranchante. Soyez prudent et évitez tout contact avec les bords tranchants lors de la manipulation et du nettoyage des lames.

Démontez la tige de mixage du corps du moteur. Lavez la tige de mixage à l'eau chaude avec une petite quantité de savon à vaisselle doux ou sur le panier supérieur du lave-vaisselle et séchez-la complètement.

FOUET

Démontez la tige de mixage du corps du moteur. Saisissez fermement le fouet et l'adaptateur de fouet dans vos mains et séparez-les. Essuyez l'adaptateur de fouet avec une éponge ou un chiffon humide, en utilisant une petite quantité de savon à vaisselle doux si nécessaire. N'utilisez pas de nettoyeurs abrasifs et ne le plongez pas dans l'eau. Lavez le fouet dans de l'eau chaude savonneuse ou sur le panier supérieur du lave-vaisselle et séchez-le complètement.

HACHOIR



AVERTISSEMENT - La lame de hachage est extrêmement tranchante. Soyez prudent lors de la manipulation du hachoir et ne le laissez pas dans de l'eau savonneuse où il peut disparaître de la vue.

Essuyez le couvercle du hachoir avec une éponge ou un chiffon humide, en utilisant une petite quantité de savon à vaisselle doux si nécessaire. N'utilisez pas de nettoyeurs abrasifs et ne le plongez pas dans l'eau. Lavez le bol de travail et la lame de hachage dans de l'eau chaude savonneuse ou sur le panier supérieur du lave-vaisselle et séchez-les complètement. N'utilisez pas le bol de travail pour conserver des aliments.

BOL DE MÉLANGE ET COUVERCLE

Lavez la tasse de mixage et le couvercle dans de l'eau chaude savonneuse ou sur le panier supérieur du lave-vaisselle et séchez-les complètement.

UTILISATION DU MÉLANGEUR

Le mélangeur à main est parfaitement adapté pour mélanger et réduire en purée un large assortiment d'aliments, y compris les trempettes, les vinaigrettes, les soupes, les laits frappés, les smoothies et les sauces.



AVERTISSEMENT - La lame de mixage est extrêmement tranchante.
Soyez prudent et évitez tout contact avec les bords tranchants lors de la manipulation et du nettoyage des lames.

1. Assemblez le mélangeur à main selon les instructions à la page 4.
2. Branchez l'appareil à une prise électrique.
3. Tournez le sélecteur de vitesse à la vitesse de mélange souhaité.
4. Abaissez la tige dans la tasse de mixage ou un autre récipient jusqu'à ce que la lame soit complètement submergée.
5. Appuyez sur le bouton d'alimentation et maintenez-le enfoncé, puis déplacez doucement le mélangeur de haut en bas à travers les ingrédients, en vous assurant que le haut de 1 pouce de la tige de mélange reste hors du liquide.



IMPORTANT - Pour éviter la surchauffe, ne faites pas fonctionner le mélangeur plus d'une minute à la fois et laissez-le reposer pendant au moins 3 minutes après deux cycles consécutifs.

6. Relâchez le bouton d'alimentation pour arrêter le mixage.
7. Tournez le sélecteur de vitesse pour régler la vitesse pendant le mixage.
8. Appuyez sur le bouton Turbo pour mélanger à grande vitesse au besoin. Vous n'avez pas besoin de maintenir le bouton d'alimentation enfoncé lors de l'utilisation de l'impulsion Turbo.

CONSEILS ET ASTUCES

- **Le mélange par immersion signifie moins de nettoyage** – transformez de grandes quantités d'aliments tels que des soupes directement dans la marmite sans pot de mélange à laver ni déversements à essuyer. Veillez à ne pas laisser le mélangeur dans une marmite chaude lorsqu'il n'est pas utilisé.
- **Prévenir les dégâts** – assurez-vous que la lame est complètement immergée avant de mélanger pour éviter les éclaboussures. Inclinez les casseroles ou poêles peu profondes loin de vous pour créer une zone plus profonde pour le mélange et réduire le risque de brûlure par un liquide chaud.
- **Réduisez en purée des soupes et des sauces lisses et soyeuses** – déplacez doucement la tige de mixage de haut en bas pendant le traitement pour assurer une consistance uniforme.
- **Utilisez la tasse de mixage pour le traitement et la conservation** – lorsque vous utilisez la tasse de mixage, versez d'abord les ingrédients liquides et coupez les aliments solides comme les fruits et les légumes en morceaux de ½ pouce pour des résultats plus rapides et plus lisses. Mettez le couvercle en place pour conserver le mélange ou pour emporter le mélange.
- **Faire une pâte à crêpes ou à gâteau parfaite** – mélangez soigneusement les ingrédients, puis maintenez la lame de mélange juste sous la surface pour fouetter de l'air supplémentaire dans le mélange. Faites attention à ne pas trop remplir votre récipient car le niveau montera lors du mixage.
- **Utilisez la méthode « d'aspiration » pour un mélange minutieux** – tenez le mélangeur plongeant incliné au fond de la tasse de mixage et tirez-le lentement vers le haut pour aspirer les ingrédients par le bas. Veillez à ne pas rayer le fond ou les côtés lorsque vous utilisez cette méthode dans des casseroles ou des poêles antiadhésives.

UTILISATION DU FOUET

Les fouets sont utilisés pour mélanger rapidement des liquides tels que les pâtes à crêpes, pour combiner des ingrédients difficiles à mélanger comme l'huile et le vinaigre, et pour incorporer de l'air pour augmenter le volume d'aliments comme la crème fouettée et les blancs d'œufs.

1. Assemblez le fouet selon les instructions à la page 4.
2. Branchez l'appareil à une prise électrique.
3. Tournez le sélecteur de vitesse à la vitesse de fouet souhaité.
4. Abaissez le fouet dans la tasse de mixage ou dans un autre récipient.
5. Appuyez sur le bouton d'alimentation et maintenez-le enfoncé, puis déplacez doucement le fouet de haut en bas dans le mélange, en vous assurant que le haut de l'accessoire du fouet reste à au moins 1 pouce du liquide.



IMPORTANT - Pour éviter la surchauffe, ne faites pas fonctionner le mélangeur plus d'une minute à la fois et laissez-le reposer pendant au moins 3 minutes après deux cycles consécutifs.

6. Relâchez le bouton d'alimentation pour arrêter de fouetter.
7. Tournez le sélecteur de vitesse pour régler la vitesse en fouettant.
8. Appuyez sur le bouton Turbo pour fouetter à grande vitesse au besoin. Vous n'avez pas besoin de maintenir le bouton d'alimentation enfoncé lors de l'utilisation de l'impulsion Turbo.

CONSEILS ET ASTUCES

- **Rehaussez la saveur de votre café du matin** – réchauffez une petite quantité de lait au micro-ondes ou sur la cuisinière puis fouettez-le pour le transformer en mousse crémeuse pour un latté parfait.
- **Fouettez la crème épaisse en un rien de temps** – accélérez le processus en refroidissant votre fouet et votre récipient de mixage et en utilisant de la crème directement sortie du réfrigérateur. Ajoutez vos édulcorants et épices préférés avant de fouetter pour rehausser la saveur - essayez le sirop d'érable, la vanille pure, la cannelle ou la poudre d'espresso instantané.
- **Blancs d'œufs aérés sans effort** – battez les blancs d'œufs dans un bol en métal ou en verre, jamais en plastique, et fouettez soigneusement pour éliminer toute trace d'huile ou de graisse. Fouettez à basse vitesse jusqu'à ce que de petites bulles commencent à se former, puis augmentez progressivement jusqu'à la vitesse moyenne. Si la recette demande du sucre, ajoutez-le lentement lorsque des pics mous commencent tout juste à se former.
- **Formation des pics** – vérifiez les blancs d'œufs toutes les minutes pour éviter de trop les battre en retirant le fouet du mélange et en le tenant de côté. Au stade de pic mou, les blancs d'œufs formeront un pic neigeux avec une pointe courbée. Les pics fermes sont pointus et conservent leur forme quelle que soit la façon dont vous tournez le fouet. Vous pouvez aider à stabiliser les blancs d'œufs en ajoutant une pincée de sel, une petite quantité (moins de 1/8 de c. à thé) de vinaigre ou de jus de citron, ou 1/8 de c. à thé de crème de tartre par œuf pendant la phase de moussage.

UTILISATION DU HACHOIR

Le hachoir est un outil polyvalent qui peut hacher, mélanger, réduire en purée, émincer et émulsionner toutes sortes d'aliments, y compris les ingrédients difficiles à hacher comme les noix ou la viande cuite.



AVERTISSEMENT - La lame de hachage est extrêmement tranchante.

Soyez prudent et évitez tout contact avec les bords tranchants lors de la manipulation et du nettoyage des lames.

1. Assemblez le hachoir selon les instructions à la page 4.
2. Branchez l'appareil à une prise électrique.
3. Tournez le sélecteur de vitesse à la vitesse souhaitée et vérifiez que le bol, la lame, le couvercle et le corps du moteur sont correctement alignés.
4. Appuyez avec le corps du moteur et appuyez sur le bouton d'alimentation et maintenez-le enfoncé pour faire fonctionner l'appareil.



IMPORTANT - Pour éviter la surchauffe, ne faites pas fonctionner le mélangeur plus d'une minute à la fois et laissez-le reposer pendant au moins 3 minutes après deux cycles consécutifs.

5. Relâchez le bouton d'alimentation pour arrêter de hacher.
6. Tournez le sélecteur de vitesse pour régler la vitesse pendant le hachage.
7. Appuyez sur le bouton Turbo pour mélanger à grande vitesse au besoin. Vous n'avez pas besoin de maintenir le bouton d'alimentation enfoncé lors de l'utilisation de l'impulsion Turbo.

CONSEILS ET ASTUCES

- **Préparation ultra rapide de recette** – traitez des ingrédients comme l'oignon, l'ail, le céleri et les herbes pour réduire le temps de préparation. Épluchez et évidez les ingrédients crus et retirez les graines, les noyaux ou les os. Pulsez par incréments de 1 seconde pour hacher ou traiter en continu jusqu'à 10 secondes pour émincer ou réduire en purée, en s'arrêtant pour racler les parois du bol de travail si nécessaire.
- **Nourriture pour bébé fraîche et faite maison** – donnez à votre tout-petit le même dîner sain et fait maison que vous avez. Placez une petite portion dans le bol de travail, ajoutez un peu d'eau ou de bouillon et mélangez, en ajoutant plus de liquide si nécessaire jusqu'à ce que vous obteniez la consistance désirée.
- **Rehaussez la saveur avec des beurres composés** – le beurre composé est un simple mélange de beurre et d'ingrédients sucrés ou salés comme le miel, les herbes et les épices et est un excellent moyen d'améliorer les pâtes, les viandes grillées ou les produits de boulangerie. Utilisez votre hachoir pour mélanger le beurre non salé ramolli avec les ingrédients de votre choix et versez le beurre transformé dans un bol pour servir.
- **Transformez vos viandes** – une marinade typique est formée de 3 composants : un acide comme le vinaigre ou le jus d'agrumes, une huile et des agents aromatisants comme les herbes et les épices. Transformez les ingrédients dans votre hachoir, puis faites mariner la viande au réfrigérateur pour transformer même la coupe de viande la plus dure en un repas savoureux. Assurez-vous de ne pas remplir le bol de travail au-delà de la ligne « Max » pour éviter les déversements.

RECETTES

SMOOTHIE CRÉMEUX À L'AVOCAT

L'avocat apporte une texture beurrée et des tonnes de graisses saines à ce smoothie décadent. Cette recette simple est la base parfaite pour votre créativité : essayez d'ajouter de la poudre de cacao; remplacer tout produit laitier non laitier; ou remplacer le miel par de la stévia ou du sirop d'érable.

Temps de préparation : 5 min

Durée totale : 5 min

Portion : 2 portions

INGRÉDIENTS

- 1 tasse de lait
- 1 avocat mûr, pelé et dénoyauté
- 1 banane congelée, coupée en morceaux
- 3 c. à soupe de miel

INSTRUCTIONS

1. Verser d'abord le lait dans la tasse de mixage, puis ajouter les ingrédients restants.
2. À l'aide de l'accessoire mélangeur, mélanger jusqu'à consistance lisse.
3. Servir immédiatement.

ŒUFS NUAGES À LA CIBOULETTE ET AU FROMAGE CHEDDAR

Originaires de la France du XVIIe siècle, les œufs de nuage sont un plat de déjeuner cuit au four composé de blancs d'œufs fouettés surmontés d'un jaune qui coule. Aussi beaux à regarder que délicieux, ils sont étonnamment simples à préparer et faciles à personnaliser selon vos goûts.

Temps de préparation : 5 min

Durée totale : 5 min

Portion : 2 portions

INGRÉDIENTS

- 8 gros œufs, séparés
- ½ tasse de fromage cheddar fort, finement râpé
- 1 c. à soupe de ciboulette finement coupée, et plus pour garnir
- Sel et poivre

INSTRUCTIONS

1. Préchauffer le four à 450 °F et graisser légèrement une grande plaque à pâtisserie.
2. Fouetter les blancs d'œufs en neige ferme. Incorporer délicatement le fromage et la ciboulette et assaisonner de sel et de poivre.
3. Déposer les blancs d'œufs sur la plaque à pâtisserie préparée en 8 monticules également espacés. Faire un petit puits au milieu de chaque monticule et cuire jusqu'à ce qu'ils soient légèrement dorés, environ 3 minutes.
4. Déposer un jaune d'œuf dans chaque nid et assaisonner de sel et de poivre. Cuire jusqu'à ce que les jaunes soient pris, environ 3 minutes de plus.
5. Garnir du reste de ciboulette et servir immédiatement.

PESTO À LA SAUGE ET AUX NOIX

La saveur distincte boisée, poivrée-douce de la sauge et la légère amertume des noix grillées se complètent parfaitement dans ce pesto polyvalent. Essayez-le sur tout, des pâtes fraîches aux sandwichs au fromage grillé.

Temps de préparation : 5 min

Durée totale : 5 min

Portion : 2 portions

INGRÉDIENTS

- 1 tasse de feuilles de sauge fraîche
- 1 tasse de persil frais
- 2 gousses d'ail
- ½ c. à thé de poivre noir fraîchement moulu
- ½ tasse d'huile d'olive extra-vierge
- 2 c. à soupe de jus de citron
- Sel et poivre au goût

INSTRUCTIONS

1. Mélanger la sauge, le persil, l'ail, les noix et le poivre dans un hachoir et mélanger jusqu'à ce qu'ils soient grossièrement hachés. Ajouter le jus de citron.
2. Ajouter l'huile d'olive 1 à 2 c. à soupe à la fois et mélanger jusqu'à consistance lisse. Assaisonner de sel et de poivre.
3. Réfrigérer dans un récipient hermétique jusqu'à une semaine ou congeler jusqu'à 12 mois.