

WARRANTY / GARANTIE

5 Year
Limited Warranty

FOR FIVE YEARS from the date of sale this product is warranted against defects in material or workmanship.

WITH PROOF OF SALE a defective product will be repaired or replaced free of charge.

The Kenmore brand is used under license. Direct all claims for warranty service to Koolatron Customer Assistance, call 1-800-265-8456 or email service@koolatron.com

This warranty covers manufacturer's defects including electrical and mechanical defects provided the appliance is correctly assembled, operated and maintained according to the supplied instructions. It does not cover damage caused by accident, misuse or abuse including overheating, unauthorized repairs or alterations, or use with a voltage converter or aftermarket accessories, and it does not apply to scratches, stains, discoloration or other surface damage that does not impair the product function. This warranty is void if the appliance is ever used for purposes other than private household use.

5 Ans
Garantie limitée

PENDANT CINQ ANS à compter de la date d'achat d'origine ce produit Kenmore sera exempt de défauts de matériaux ou de fabrication.

Un produit défectueux sera réparé ou remplacé gratuitement, AVEC PREUVE DE VENTE.

Le nom de marque Kenmore est utilisé sous licence. Adressez toutes les demandes de service de garantie à Service à la clientèle du Koolatron, au 1-800-265-8456 ou en envoyant un courriel à service@koolatron.com

La présente garantie couvre les défauts de fabrication, y compris les défauts électriques et mécaniques, à condition que l'appareil soit correctement assemblé, utilisé et entretenu conformément aux instructions fournies. La présente garantie ne couvre pas les dommages causés par un accident, une mauvaise utilisation ou un abus, y compris la surchauffe, les réparations ou modifications non autorisées, ou l'utilisation avec un convertisseur de tension ou des accessoires de rechange, et elle ne s'applique pas aux rayures, taches, décoloration ou autres dommages de surface qui n'affectent pas le fonctionnement du produit. La présente garantie est nulle si l'appareil est utilisé à des fins autres que l'usage domestique privé.

Koolatron Corporation
4320 Federal Drive, Batavia, NY 14021 U.S.A.
139 Copernicus Blvd., Brantford, ON N3P1N4 Canada

Kenmore and the Kenmore Elite logo are registered trademarks to Transform SR Brands Management LLC and are used under license by Koolatron Corporation
Kenmore et le logo Kenmore Elite sont des marques déposées de Transform SR Brands Management LLC et sont utilisées sous licence par Koolatron Corporation

Kenmore Elite^{®/MD}



112-bottle Wine Fridge Single Zone

Refroidisseur à vin 112 bouteilles Zone simple



Customer Assistance
Service à la clientèle
1-800-265-8456
www.koolatron.com

KKEWCBDZ112

Use & Care Guide
Guide d'utilisation et d'entretien

IMPORTANT SAFEGUARDS

1. READ ALL INSTRUCTIONS BEFORE USE.
2. Do not attempt to operate the appliance by any method other than as described in this manual. The warranty is invalid if the appliance is not used according to instructions.
3. Before using the wine cellar for the first time, remove any packaging material, promotional labels, and stickers. Safely dispose of plastic bags or small pieces that could present a suffocation or choking hazard to young children.
4. This wine cooler is intended to be used exclusively for the storage of wine or beverages. It is recommended only for indoor household use.
5. This wine cellar is not intended for use by persons, including children, with reduced physical, sensory or mental capabilities, or lack of experience and knowledge, without supervision and instruction by a person responsible for their safety. Never allow children to operate, play with, or crawl inside the appliance.
6. **RISK OF CHILD ENTRAPMENT AND SUFFOCATION:** Junked, abandoned, and improperly stored appliances pose a significant danger to children at all times. To reduce the risk, before disposing of or storing your wine cellar: (1) REMOVE THE DOOR; and (2) leave all shelves in place to prevent children from easily climbing inside.
7. Before using, check that the voltage of the wall outlet corresponds to the one shown on the rating plate. Never attempt to use the wine cellar with a voltage converter or an extension cord.
8. **GROUNDING PLUG:** This wine cellar is equipped with a 3-prong grounding plug which must be used with a properly grounded 3-hole receptacle. DO NOT attempt to alter the plug for use in a 2-prong receptacle or alter a 2-prong receptacle to make the 3-prong plug fit. Doing so will void your warranty and could cause fire or electrical shock. If the plug will not fit into your outlet, have the proper receptacle installed by a qualified electrician.
9. Do not attempt to operate the wine cellar if there is damage to the cord or plug, after it has malfunctioned or been damaged in any way, or if it is not operating properly. Contact the nearest authorized service facility for examination and adjustment or repair.
10. The electrical plug must be accessible at all times. To ensure the plug is accessible, release the electric cord before moving the wine cellar to its final location.
11. To protect against electrical shock, avoid contact between any electrical components and water or any other liquid. Never touch the plug with wet hands. Always unplug the wine cellar from the power source before cleaning. To unplug, grasp the plug and pull it from the electrical outlet. Never unplug by pulling on the power cord.

IMPORTANT SAFEGUARDS

12. This wine cellar contains a flammable refrigerant. To reduce the risk of fire or explosion, observe the following safeguards:
 - a. Use extreme caution during transportation to avoid damaging the cooling pipework.
 - b. Never place flammable or explosive items (ie. aerosol cans) in, on, or near the wine cellar.
 - c. Do not store or use flammable vapors or liquids (ie. gasoline) near the wine cellar.
 - d. Never clean the wine cellar body or parts with flammable fluids as residual fumes could create a risk of fire or explosion.
13. Ensure the floor on which the wine cellar is placed is strong enough to support the total weight of the unit when it is fully loaded.
14. The wine cellar should be positioned to prevent people from touching the compressor.
15. Place the wine cellar away from heat sources (ie. stove, heater, radiator) as these may increase electricity consumption and away from direct sunlight which could affect the acrylic coating.
16. To protect against electric shock or damage to the unit, avoid placing the wine cellar in a moist or very humid area.
17. Extreme cold ambient temperatures may cause the wine cellar to not perform properly.
18. Once the wine cellar is in place, adjust the front leveling leg to stabilize the unit.
19. Before connecting the wine cellar to a power source, let it stand upright for at least 6 hours to reduce the possibility of a malfunction in the cooling system from handling during transportation.
20. Keep all ventilation openings clear of obstruction at all times.
21. Do not cover shelves with aluminum foil or any other material that could impair air circulation.
22. Do not move the wine cellar while loaded with wine as this could distort the body.
23. **DO NOT OVERLOAD:** Maximum capacity of this wine cellar is 111 standard Bordeaux bottles.
24. To protect against electrical shock or damage to the unit, store wine sealed bottles.
25. Open the door all the way before pulling out shelves to avoid damaging the door gasket. Never try to pull out more than one shelf at a time.
26. Do not use mechanical devices or other means to accelerate the defrosting process and do not use electrical appliances inside the wine cellar, other than those recommended by the manufacturer. Aftermarket attachments or accessories not recommended by Kenmore will void your warranty and may cause fire, electrical shock, or injury.
27. For any maintenance other than cleaning, call or email Koolatron Customer Assistance.

SAVE THESE INSTRUCTIONS!

FEATURES

- Single Zone Wine Fridge made for those who love to entertain
- Capacity : 112 bottles
- Touch pad temperature control with LED Display
- Temperature range : 5-20°C / 41-68°F
- Reversible dual pane glass door
- LED interior surround lighting
- Front venting allows for built-in or freestanding installation
- Compressor based cooling system with fans



- 15 beechwood shelves, smooth rolling on ball-bearing tracks



- 1 beechwood drawer



BEFORE FIRST USE

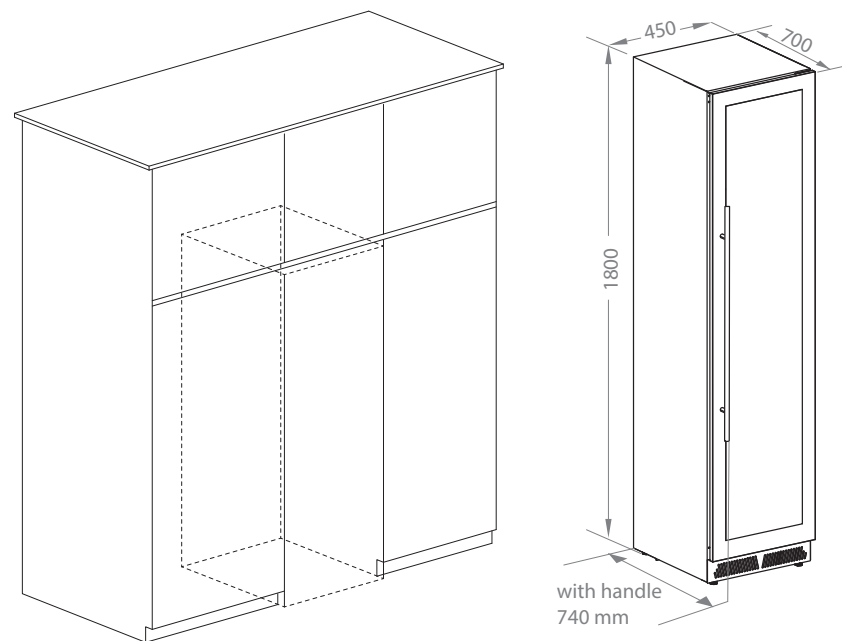
1. Carefully remove the exterior and interior packing and check that all parts and accessories are present. Remove any promotional labels or stickers and safely dispose of plastic bags or small pieces that could present a suffocation or choking hazard.
2. Let the wine cellar stand upright for at least 6 hours before connecting it to a power source. This will reduce the possibility of a malfunction in the cooling system from handling during transit.
3. Wipe the interior surfaces with a clean, damp cloth to remove any dirt or dust and dry thoroughly. Do not use abrasive cleansers or scouring pads.
4. When deciding where to place the wine cellar, observe the following safeguards:
 - Make sure the floor is strong enough to support it when it is filled to capacity.
 - The electrical plug must be accessible and an extension cord must not be used.
 - Place it away from heat sources and out of direct sunlight.
 - Avoid placing it where it will be exposed to moisture or extreme cold.



WARNING

The wine cellar is extremely heavy. To reduce the risk of injury, two people are needed to move the unit and/or reverse the door.

5. Measure the space carefully when preparing for built-in installation.



6. Once the wine cellar is in place, adjust the front leveling foot to stabilize the unit.

REVERSING THE DOOR

1. Gather the following items before starting:

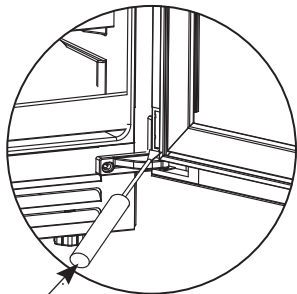
- flat head screwdriver
- 3/32" hex key / Allen key
- Phillips head screwdriver
- stepstool



WARNING - The door is very heavy. Two people are needed to remove or replace the door assembly. To reduce the risk of injury or damage, one person should hold the door while the other removes the hinges.

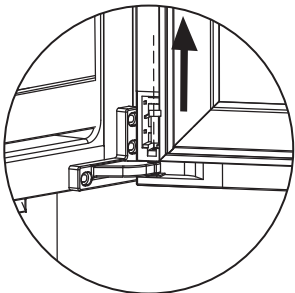
NOTE - All parts removed must be saved to do the reinstallation of door

2. Open the wine cellar door and locate the upper and lower hinge covers. Using a flat head screwdriver, pry off the hinge covers to expose the hinge pins and set aside.

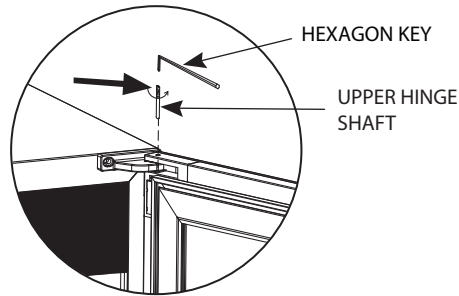


SCREWDRIVER

3. Carefully pry up the lower hinge pin with the screwdriver, remove and set aside.



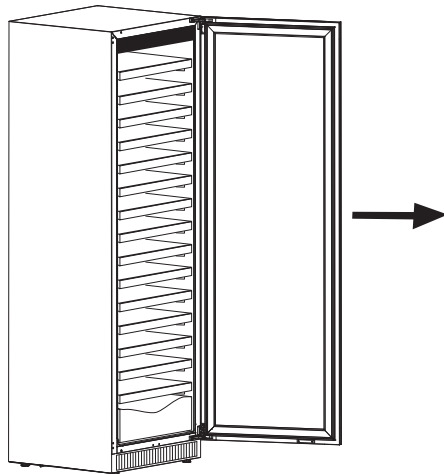
4. With one person holding the door securely, locate the opening for the upper hinge pin on the top edge of the door. Using a 3/32" hex key/Allen key, unscrew and remove the upper hinge pin.



HEXAGON KEY

UPPER HINGE SHAFT

5. Pull the door away from the cabinet straight towards you to remove it and set it aside on a padded surface.

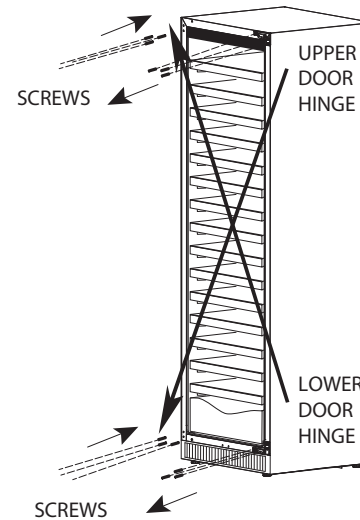


6

REVERSING THE DOOR

6. Using a hex key/allen key, remove the six mounting screws and detach the hinges from the cabinet. Carefully pry off the plastic hole covers on the opposite side of the cabinet and replace them in the holes left by the mounting screws you just removed.

7. Exchange the hinges and reinstall them on the diagonally opposite side of the cabinet (the upper hinge from the right side will become the lower hinge on the left and vice versa).



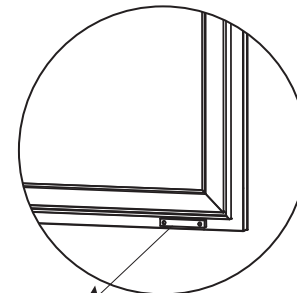
SCREWS

UPPER DOOR HINGE

LOWER DOOR HINGE

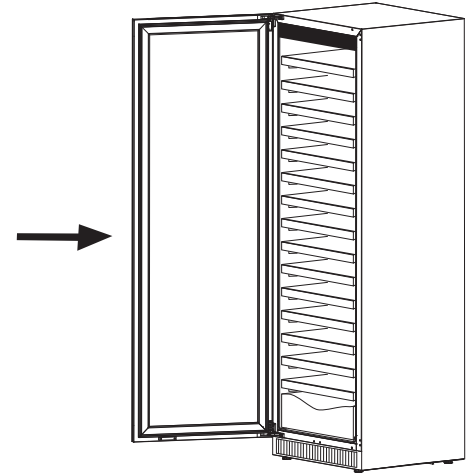
SCREWS

8. Unscrew the magnetic latch from the bottom of the door. Flip the door over so the bottom is now the top and vice versa and install the magnetic latch over the guide holes on the new bottom.

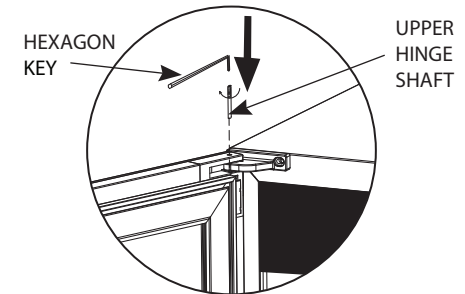


MAGNET

9. Align the notches in the door with the hinges and push the door straight back towards the cabinet into place.



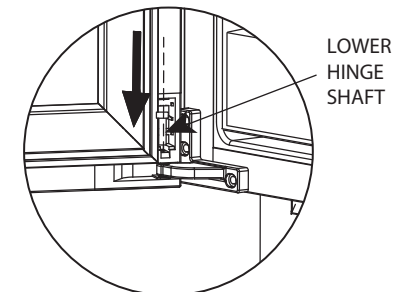
10. Install the upper door hinge pin and tighten it with a hexagon wrench.



HEXAGON KEY

UPPER HINGE SHAFT

11. Install the lower door hinge pin then replace the hinge covers.

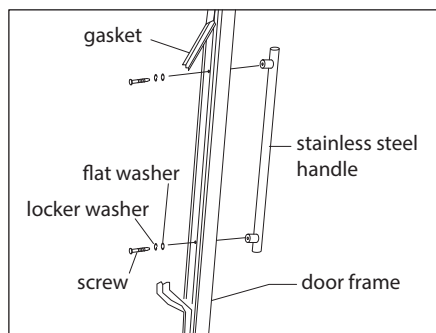


LOWER HINGE SHAFT

7

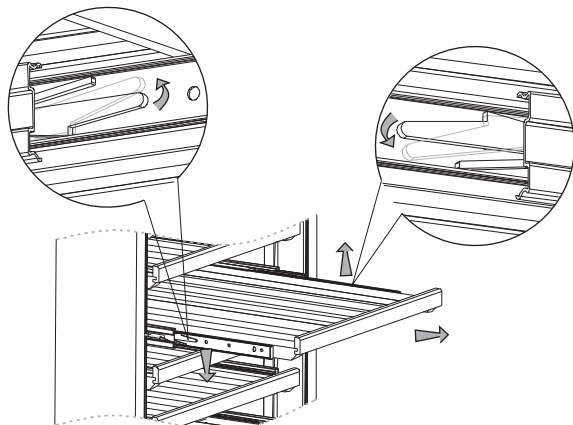
INSTALLING THE DOOR HANDLE

1. Locate the screw holes on the inside of the door and carefully pull the rubber gasket out to expose them completely.
2. Align the door handle with the screw holes. Loosely attach the first screw and washers. Attach the second screw and washers, tightening fully, and then tighten the first set. Do not overtighten, as this could damage the handle and the door frame.
3. Return the door gasket to its original position, using a flat screwdriver to gently push it into place if needed.



REMOVING SHELVES

1. Pull the shelf out as far as it will go.
2. Using a slim stick or flat head screwdriver, press the plastic strip on the left side up and pull the left side of the shelf slightly outwards. Press the plastic strip on the right side down and pull the right side of the shelf slightly outwards.
3. Carefully remove the shelf.



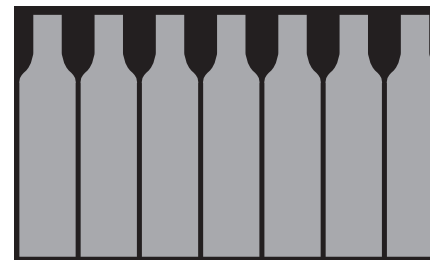
WARNING

To avoid damaging the door gasket, make sure the door is completely open when removing shelves from the cabinet.

LOADING THE WINE CELLAR

Your wine cellar was designed to hold up to 112 standard Bordeaux bottles, 7 on each shelf. Larger and irregularly shaped bottles can be accommodated by removing shelves, which will reduce the total capacity.

top view



For best results when loading the wine cellar:

- Spread the bottles out evenly so the weight is not concentrated in one area.
- Do not group bottles at either the top or bottom of the cabinet.
- Make sure the bottles do not touch the interior walls of the cabinet.

CONTROL PANEL



1. **Power ON/OFF** : Press and hold for 3 seconds to power the wine cellar on or off.
2. **°C / °F Selector** : Touch to change the temperature display between Celsius and Fahrenheit.
3. **Set / Change Temperature** : Touch to display the current programmed temperature and enter temperature setting mode. After 5 seconds without a button being pressed, the display will change back to the actual interior temperature.
4. **Temperature Display** : LED display shows either the selected temperature (in temperature setting mode) or actual interior temperature.
5. **Temperature +/-** : During temperature setting mode, touch + to increase and - to decrease by 1 degree from a minimum of 5° to a maximum of 20°. The control panel will automatically lock after 3 minutes without a button being pressed. Press and hold the + and - buttons at the same time for 3 seconds to unlock.
6. **Light ON/OFF** : Touch to turn the interior light on or off. The light will also turn on automatically when the door is opened.

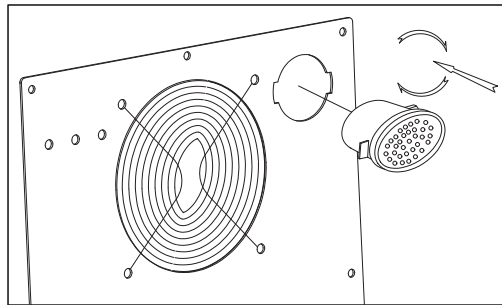
CARE & MAINTENANCE

CHARCOAL FILTRATION SYSTEM

Wine is a living object that breathes through the cork of its bottle. In addition to maintaining wines at an optimal temperature, this wine cellar is equipped with a charcoal filtration system to ensure air purity, cooling efficiency, and to maintain an odor free cabinet. To keep the filtration system working at peak efficiency, the filter should be changed every 12 months. The filter assembly is located at the rear panel inside your cellar.

To replace the filter:

1. Remove the bottles of wine from the two shelves in front of the filter. Remove the two shelves and set them aside.
2. Rotate the filter 45 degrees counterclockwise to unlock and remove it.
3. Position the new filter in the opening and rotate 45 degrees clockwise to lock it in place.
4. Replace the shelves and wine that you removed.



CLEANING THE WINE CELLAR

1. Power off and unplug the wine cellar and then remove all bottles and shelves.
2. Wash the interior surfaces with a soft cloth or sponge and a mixture of warm water and baking soda (approximately 2 tbsp of baking soda to 1 qt of water). Wring out any excess water before wiping the control panel. Dry thoroughly.
3. Wash the shelves with a soft cloth or sponge and a mild dish soap. Rinse and dry thoroughly.
4. Wipe the exterior with a soft cloth or sponge and a mild dish soap, being extremely careful to avoid liquid contacting any electrical components. Rinse well and wipe dry with a clean soft cloth.
5. Replace the shelves and bottles that you removed.

POWER INTERRUPTIONS

Most power failures are corrected within a few hours and will not affect the temperature of the wine cellar, especially if you avoid opening the door while the power is off. Wait 3-5 minutes before restarting the wine cellar after it has been unplugged, powered off, or experienced a power failure; the wine cellar will not operate if you attempt to restart it before that time.

NOTE - If the power is going to be out for an extended period, you may need to find alternate storage for your wine.

CARE & MAINTENANCE

MOVING THE WINE CELLAR

To reduce the risk of property damage or damage to the wine cellar while moving it, observe the following safeguards:

- Remove all bottles of wine. Moving the wine cellar while loaded could distort the body.
- Remove shelves or place foam between them to prevent them from moving during transit.
- Turn the adjustable leg up to the base.
- Tape the door shut.
- Protect the outside of the wine cellar with a blanket or similar items.
- If possible, keep the wine cellar in an upright position during transit.



WARNING

The wine cellar is extremely heavy. To reduce the risk of injury, two people are needed to move the unit and/or reverse the door.

DISPOSING OF THE WINE CELLAR

Before disposing of this wine cellar, observe the following safeguards:

- Disconnect from power outlet, cut off the power cord and discard it.
- Protect the outside of the wine cellar with a blanket or similar items.
- If possible, keep the wine cellar in an upright position during transit.
- Remove the door and leave all shelves in place to reduce the risk of children climbing inside and becoming trapped and/or suffocated.

CORRECT DISPOSAL OF THIS PRODUCT



This symbol on the product, or in its packaging, indicates that this product may not be treated as household waste. Instead, it should be taken to the appropriate waste collection point for recycling of electrical and electronic equipment. By ensuring this product is disposed of correctly, you will help prevent potential negative consequences for the environment and human health, which could otherwise be caused by the inappropriate waste handling of this product. For more detailed information about recycling of this product, please contact your local council, or your household waste disposal service.

TROUBLESHOOTING

You can solve many common appliance problems easily, saving you the cost of a possible service call. Try the suggestions below to see if you can solve the problem before calling the servicer.

PROBLEM	POSSIBLE CAUSES
Wine cellar does not operate	Power cord is not plugged in. Wine cellar is powered off. Tripped circuit breaker or blown fuse.
Wine cellar is not cold enough	Temperature is set too high. High ambient temperature. Door is being opened too frequently. Door is not closed completely. Door gasket does not seal properly.
Wine cellar turns off and on frequently	Ambient temperature is higher than usual. Cabinet overloaded. Door is being opened too frequently. Door is not closed completely. Door gasket does not seal properly.
Interior light does not turn on	Light is turned off. Bulb is burnt out. Power cord is not plugged in. Wine cellar is powered off. Tripped circuit breaker or blown fuse. Door gasket does not seal properly.
Excessive vibration	Wine cellar is not level.
Excessive noise	Wine cellar is not level. Rattling sounds from the flow of refrigerant are normal. Gurgling sounds as each cycle ends are normal. Popping and/or crackling noises may be caused by contraction and expansion of the inside walls.
Door does not close properly	Wine cellar is not level. Door was reversed but not properly reinstalled. Dirt or debris caught in the door gasket. One or more shelves are out of position.

CONSIGNES DE SÉCURITÉ IMPORTANTES

- LIRE TOUTES LES CONSIGNES AVANT D'UTILISER L'APPAREIL
- N'essayez pas de faire fonctionner l'appareil par une méthode autre que celle décrite dans ce manuel. La garantie est invalide si l'appareil n'est pas utilisé conformément aux instructions.
- Avant d'utiliser le refroidisseur à vin pour la première fois, retirez tout matériel d'emballage, étiquettes promotionnelles et autocollants. Jetez en toute sécurité les sacs en plastique ou les petits morceaux qui pourraient présenter un risque de suffocation ou d'étouffement pour les jeunes enfants.
- Ce refroidisseur à vin est destiné à être utilisé exclusivement pour le rangement de vin ou de boissons. Il est recommandé uniquement pour un usage domestique à l'intérieur.
- Ce refroidisseur à vin n'est pas destiné à être utilisé par des personnes (y compris des enfants) ayant des capacités physiques, sensorielles ou mentales réduites, ou un manque d'expérience et de connaissances, sauf si elles sont supervisées ou ont été formées par une personne responsable de leur sécurité. Ne laissez jamais les enfants d'utiliser, de jouer avec, ou de ramper à l'intérieur de l'appareil.
- RISQUE DE PIÉGEAGE ET D'ÉTOUFFEMENT DES ENFANTS** : Les appareils jetés, abandonnés et mal entreposés présentent un grand danger pour les enfants à tout moment. Pour réduire les risques, avant de jeter ou de ranger votre refroidisseur à vin : (1) RETIREZ LA PORTE ; et (2) laissez toutes les clayettes en place pour empêcher les enfants de grimper facilement à l'intérieur.
- Avant d'utiliser le mélangeur, vérifiez que la tension de la prise murale correspond à celle indiquée sur la plaque signalétique. N'essayez jamais d'utiliser le refroidisseur à vin avec un convertisseur de tension ou une rallonge.
- FICHE DE MISE À LA TERRE** : Ce refroidisseur à vin est équipé d'une fiche de mise à la terre à 3 broches qui doit être utilisée avec une prise à 3 trous correctement mise à la terre. N'essayez PAS de modifier la fiche pour l'utiliser dans une prise à 2 broches ou de modifier une prise à 2 broches pour l'adapter la fiche à 3 broches. Cela entraînera la nullité de votre garantie et pourrait provoquer un incendie ou un choc électrique. Si la fiche ne s'insère pas dans la prise, demandez à un électricien qualifié d'installer une prise appropriée.
- N'essayez pas de faire fonctionner le refroidisseur à vin si le cordon ou la fiche est endommagé, après qu'il a mal fonctionné ou a été endommagé de quelque manière que ce soit, ou s'il ne fonctionne pas correctement. Contactez le centre de service agréé le plus proche pour examen et réglage ou réparation.
- La fiche électrique doit être accessible à tout moment. Pour vous assurer que la fiche est accessible, débranchez le cordon électrique avant de déplacer le refroidisseur à vin à son emplacement définitif.
- Pour vous protéger contre les chocs électriques, évitez tout contact entre les composants électriques et l'eau ou tout autre liquide. Ne touchez jamais la fiche avec les mains mouillées. Débranchez toujours le refroidisseur à vin de la source d'alimentation avant de le nettoyer. Pour débrancher, saisissez la fiche et retirez-la de la prise électrique. Ne débranchez jamais l'appareil en tirant sur le cordon d'alimentation.
- Ce refroidisseur à vin contient un réfrigérant inflammable. Afin de réduire le risque d'incendie ou d'explosion, respectez les mesures de sécurité suivantes :
 - Soyez extrêmement prudent pendant le transport pour éviter d'endommager la tuyauterie de refroidissement.
 - Ne placez jamais d'objets inflammables ou explosifs (c'est-à-dire des bombes aérosols) dans, sur ou à proximité du refroidisseur à vin.

CONSIGNES DE SÉCURITÉ IMPORTANTES

- c. Ne rangez pas et n'utilisez pas de vapeurs ou de liquides inflammables (c'est-à-dire de l'essence) à proximité du refroidisseur à vin.
- d. Ne nettoyez jamais le corps ou les pièces du refroidisseur à vin avec des liquides inflammables car les vapeurs résiduelles pourraient créer un risque d'incendie ou d'explosion.
13. Assurez-vous que le sol sur lequel le refroidisseur à vin est placé est suffisamment solide pour supporter le poids total de l'appareil lorsqu'il est complètement chargé.
14. Le refroidisseur à vin doit être positionné de manière à empêcher les personnes de toucher le compresseur.
15. Placez le refroidisseur à vin loin des sources de chaleur (c'est-à-dire cuisinière, appareil de chauffage, radiateur) car ceux-ci peuvent causer l'augmentation de la consommation d'électricité et loin de la lumière directe du soleil qui pourrait affecter le revêtement acrylique.
16. Pour vous protéger contre les chocs électriques ou les dommages à l'appareil, évitez de placer le refroidisseur à vin dans un endroit humide.
17. Des températures ambiantes extrêmement froides peuvent empêcher le refroidisseur à vin de fonctionner correctement.
18. Une fois le refroidisseur à vin en place, réglez les pieds de nivellement avant pour stabiliser l'appareil.
19. Avant de brancher le refroidisseur à vin à une source d'alimentation, laissez-le reposer debout pendant au moins 6 heures pour réduire la possibilité d'un dysfonctionnement du système de refroidissement dû à la manipulation pendant le transport.
20. Gardez toutes les ouvertures de ventilation dégagées de toute obstruction à tout moment.
21. Ne couvrez pas les clayettes avec du papier d'aluminium ou tout autre matériau qui pourrait nuire à la circulation de l'air.
22. Ne déplacez pas le refroidisseur à vin chargé de vin car cela pourrait déformer le boîtier.
23. **NE PAS SURCHARGER** : La capacité maximale de ce refroidisseur à vin est de 111 bouteilles de Bordeaux standard.
24. Pour vous protéger contre les chocs électriques ou les dommages à l'appareil, rangez des bouteilles de vin scellées.
25. Ouvrez complètement la porte avant de retirer les clayettes pour éviter d'endommager le joint de la porte. N'essayez jamais de retirer plus d'une clayette à la fois.
26. N'utilisez pas d'appareils mécaniques ou d'autres moyens pour accélérer le processus de dégivrage et n'utilisez pas d'appareils électriques à l'intérieur du refroidisseur à vin, autres que ceux recommandés par le fabricant. Les pièces jointes ou accessoires du marché secondaire non recommandés par Kenmore annuleront votre garantie et pourraient provoquer un incendie, un choc électrique ou des blessures.
27. Pour tout entretien autre que le nettoyage, envoyez un courriel ou appelez le service à la clientèle de Koolatron.

CONSERVEZ CES INSTRUCTIONS !

CARACTÉRISTIQUES

- Refroidisseur à vin à simple zone conçu pour ceux qui aiment recevoir
- Capacité : 112 bouteilles
- Pavé tactile de commande de la température avec affichage DEL
- Plage de température : 5-20 °C / 41-68 °F
- Porte vitrée double réversible
- Éclairage intérieur d'ambiance à DEL
- La ventilation frontale permet une installation encastrée ou autonome
- Système de refroidissement à base de compresseur avec ventilateurs



- 15 clayettes en hêtre, coulissantes lisses sur rails à roulement à billes



- 1 tiroir en hêtre



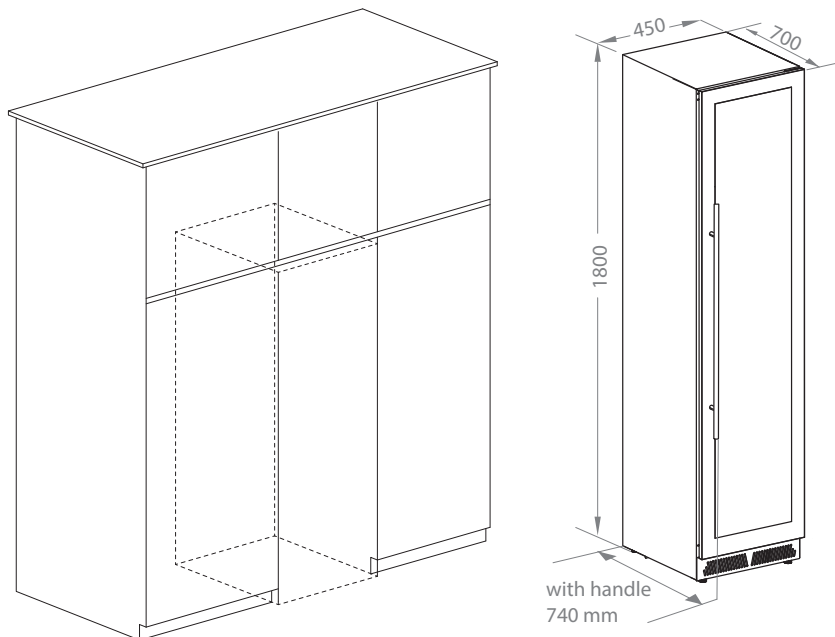
AVANT LA PREMIÈRE UTILISATION

1. Retirez soigneusement l'emballage extérieur et intérieur et vérifiez que toutes les pièces et tous les accessoires sont présents. Retirez toutes les étiquettes ou autocollants promotionnels et jetez en toute sécurité les sacs en plastique ou les petits morceaux qui pourraient présenter un risque de suffocation ou d'étouffement.
2. Laissez le refroidisseur à vin debout pendant au moins 6 heures avant de le brancher à une source d'alimentation. Ceci réduira la possibilité d'un mauvais fonctionnement du système de refroidissement en raison de la manipulation lors du transport.
3. Essuyez les surfaces internes avec un chiffon propre et humide pour enlever toute saleté ou poussière et séchez soigneusement. N'utilisez pas de nettoyeurs abrasifs ou de tampons à récurer.
4. Lorsque vous décidez où placer le refroidisseur à vin, respectez les précautions suivantes :
 - Assurez-vous que le sol est suffisamment solide pour le supporter lorsqu'il est rempli à pleine capacité.
 - La prise électrique doit être accessible et une rallonge ne doit pas être utilisée.
 - Placez-le à l'écart des sources de chaleur et à l'abri de la lumière directe du soleil.
 - Évitez de le placer là où il sera exposé à l'humidité ou au froid extrême.



AVERTISSEMENT - Le refroidisseur à vin est extrêmement lourd. Afin de réduire le risque de blessure, deux personnes sont nécessaires pour déplacer l'appareil et/ou inverser la porte.

5. Mesurez soigneusement l'espace lors de la préparation de l'installation encastrée



6. Une fois le refroidisseur à vin en place, réglez les pieds de nivellement avant pour stabiliser l'appareil.

INVERSEMENT DE LA PORTE

1. Rassemblez les éléments suivants avant de commencer :

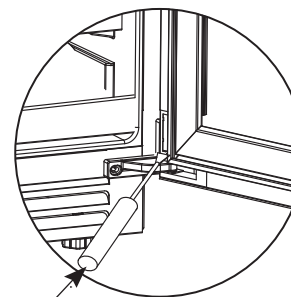
- tournevis à tête plate
- tournevis à tête cruciforme
- clé hexagonale de 3/32 po
- escabeau



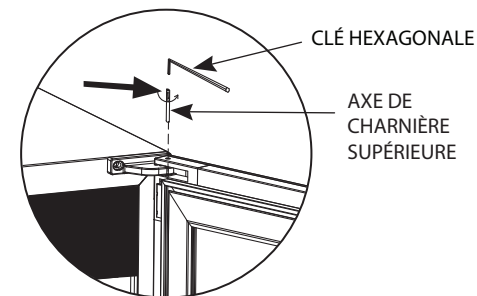
AVERTISSEMENT - La porte est très lourde. Il faut deux personnes pour retirer ou remplacer l'ensemble de porte. Afin de réduire le risque de blessures ou de dommages, une personne doit tenir la porte pendant que l'autre enlève les charnières.

REMARQUE – Toutes les pièces retirées doivent être conservées pour effectuer la réinstallation de la porte

2. Ouvrez la porte du refroidisseur à vin et localisez les couvercles de charnière supérieur et inférieur. À l'aide d'un tournevis à tête plate, soulevez les couvercles de charnière pour exposer les axes de charnière et mettez-les de côté.



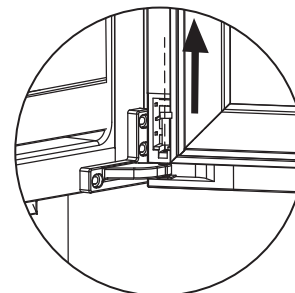
TOURNEVIS



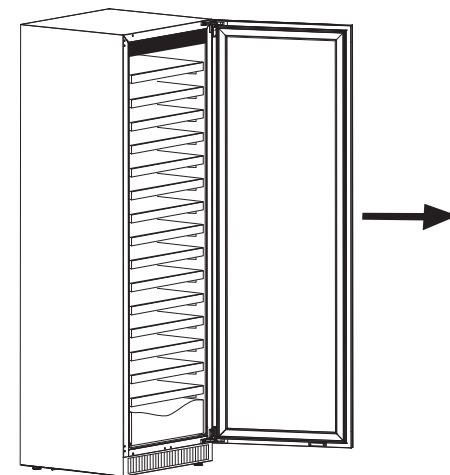
CLÉ HEXAGONALE

AXE DE CHARNIÈRE SUPÉRIEURE

3. Relevez délicatement l'axe de charnière inférieur à l'aide du tournevis, retirez-le et mettez-le de côté.



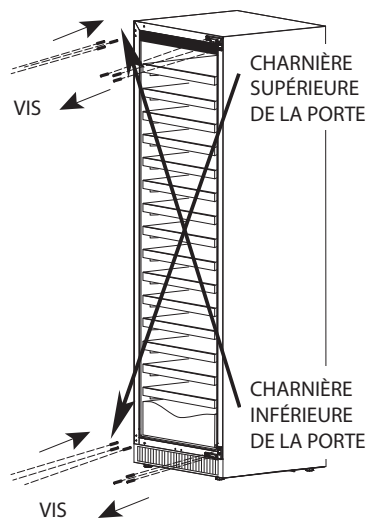
5. Tirez la porte de caisse directement vers vous pour la retirer et mettez-la de côté sur une surface rembourrée.



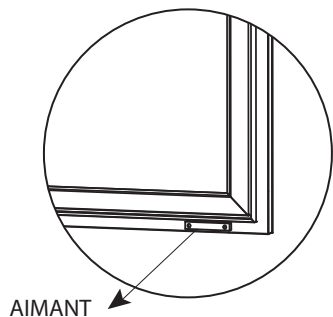
INVERSEMENT DE LA PORTE

6. À l'aide d'une clé hexagonale, retirez les six vis de montage et détachez les charnières de la caisse. Retirez délicatement les caches-trous en plastique sur le côté opposé de la caisse et replacez-les sur les trous laissés par les vis de montage que vous venez de retirer.

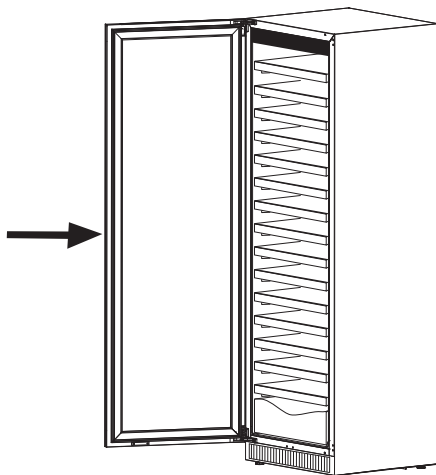
7. Enlevez les charnières et installez-les sur le côté diagonalement opposé de la caisse (la charnière supérieure du côté droit deviendra la charnière inférieure à gauche et vice versa).



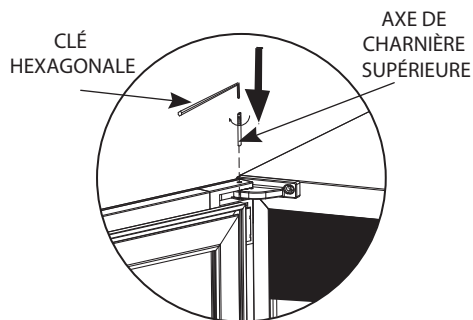
8. Dévissez le loquet magnétique du bas de la porte. Retournez la porte pour que le bas soit maintenant le haut et vice versa et installez le loquet magnétique sur les trous de guidage du nouveau bas de porte.



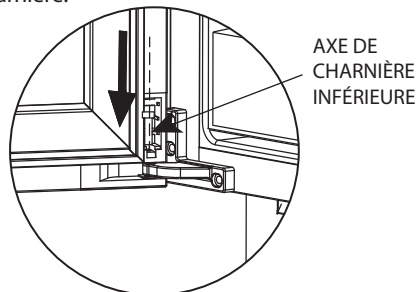
9. Alignez les encoches de la porte avec les charnières et poussez la porte directement vers la caisse pour la mettre en place.



10. Installez l'axe de charnière de la porte supérieure et serrez-le à l'aide d'une clé hexagonale.



11. Installez l'axe de charnière de la porte inférieure, puis replacez les couvercles de charnière.

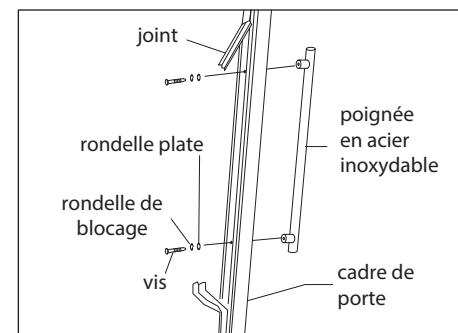


INSTALLATION DE LA POIGNÉE DE PORTE

1. Localisez les trous de vis à l'intérieur de la porte et retirez délicatement le joint en caoutchouc pour les exposer complètement.

2. Alignez la poignée de porte avec les trous de vis. Fixez sans serrer la première vis et les rondelles. Fixez la deuxième vis et les rondelles, en serrant complètement, puis serrez le premier jeu de vis et rondelles. Ne serrez pas trop, car cela pourrait endommager la poignée et le cadre de la porte.

3. Remettez le joint de la porte dans sa position d'origine, en utilisant un tournevis à tête plate pour le pousser doucement en place si nécessaire.

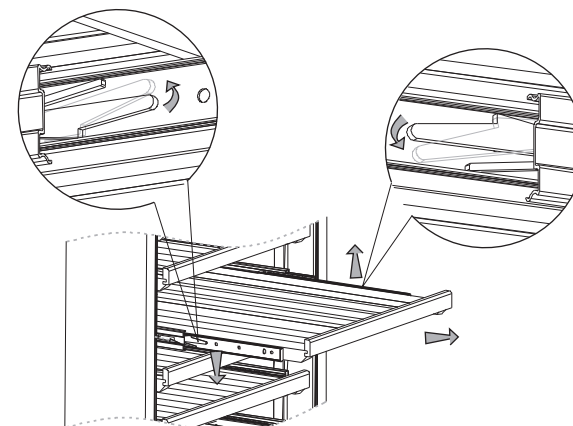


RETRAIT DES CLAYETTES

1. Retirez la clayette aussi loin que possible.

2. À l'aide d'un bâton fin ou d'un tournevis à tête plate, appuyez sur la bande en plastique sur le côté gauche vers le haut et tirez doucement le côté gauche de la clayette vers l'extérieur. Appuyez sur la bande en plastique sur le côté droit vers le bas et tirez légèrement le côté droit de la clayette vers l'extérieur.

3. Retirez délicatement la clayette.



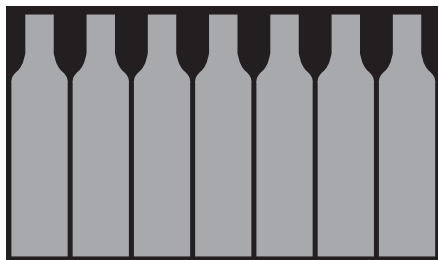
AVERTISSEMENT

Pour éviter d'endommager le joint de la porte, assurez-vous que la porte est complètement ouverte lorsque vous retirez les clayettes de la caisse.

CHARGEMENT DU REFRIGÉRISEUR À VIN

Votre refroidisseur à vin a été conçu pour contenir jusqu'à 112 bouteilles de Bordeaux standards, 7 sur chaque clayette. Des bouteilles plus grandes et de forme irrégulière peuvent être logées en enlevant des clayettes, ce qui réduira la capacité totale.

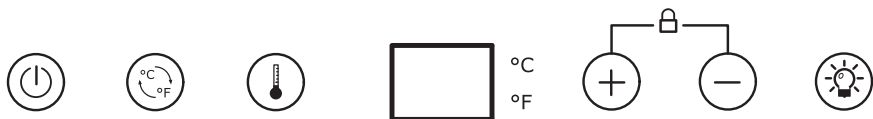
vue de dessus



Pour de meilleurs résultats lors du chargement du refroidisseur à vin :

- Répartissez les bouteilles uniformément afin que le poids ne soit pas concentré dans une zone.
- Ne regroupez pas les bouteilles en haut ou en bas de la caisse.
- Assurez-vous que les bouteilles ne touchent pas les parois intérieures de la caisse.

PANNEAU DE COMMANDES



- Allumer/Éteindre** : Appuyez sur ce bouton pendant 3 secondes pour allumer ou éteindre le refroidisseur à vin.
- Sélecteur °C / °F** : Touchez ce bouton pour changer l'affichage de la température entre Celsius et Fahrenheit.
- Régler/modifier la température** : Touchez ce bouton pour afficher la température programmée actuelle et accéder au mode de réglage de la température. Après 5 secondes sans appuyer sur un bouton, l'affichage revient à la température intérieure réelle.
- Affichage de la température** : L'affichage à DEL indique soit la température sélectionnée (en mode de réglage de la température), soit la température intérieure réelle.
- Température +/-** : Pendant le mode de réglage de la température, touchez + pour augmenter et - pour diminuer de 1 degré d'un minimum de 5° à un maximum de 20°. Le panneau de commande se verrouille automatiquement après 3 minutes sans qu'un bouton soit appuyé. Appuyez sur les boutons + et - en même temps pendant 3 secondes pour déverrouiller.
- Allumer/éteindre l'éclairage** : Touchez ce bouton pour allumer ou éteindre l'éclairage intérieur. L'éclairage s'allumera également automatiquement à l'ouverture de la porte.

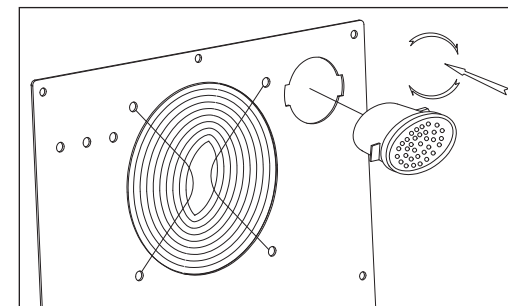
ENTRETIEN ET NETTOYAGE

SYSTÈME DE FILTRATION AU CHARBON

Le vin est un objet vivant qui respire par le bouchon de sa bouteille. En plus de maintenir les vins à une température optimale, ce refroidisseur à vin est doté d'un système de filtration au charbon pour assurer la pureté de l'air, l'efficacité du refroidissement et pour maintenir la caisse sans odeur. Pour que le système de filtration continue de fonctionner avec une efficacité maximale, le filtre doit être changé tous les 12 mois. L'ensemble de filtre est situé sur le panneau arrière à l'intérieur de votre refroidisseur à vin.

Pour remplacer le filtre :

1. Retirez les bouteilles de vin des deux clayettes devant le filtre. Retirez les deux clayettes et mettez-les de côté.
2. Faites pivoter le filtre de 45 degrés dans le sens antihoraire pour le déverrouiller et le retirer.
3. Placez le nouveau filtre dans l'ouverture et faites-le pivoter de 45 degrés dans le sens antihoraire pour le verrouiller en place.
4. Remplacez les clayettes et le vin que vous avez retirés.



NETTOYAGE DU REFRIGÉRISEUR À VIN

1. Éteignez et débranchez la cave à vin, puis retirez toutes les bouteilles et clayettes..
2. Lavez les surfaces intérieures avec un chiffon doux ou une éponge et un mélange d'eau tiède et de bicarbonate de soude (environ 2 c. à table de bicarbonate de soude pour 1 litre d'eau). Essorez tout excès d'eau avant d'essuyer le panneau de commande. Séchez-le complètement.
3. Lavez les clayettes avec un chiffon doux ou une éponge et du savon à vaisselle doux. Rincez-les et séchez-les complètement.
4. Essuyez l'extérieur avec un chiffon doux ou une éponge et du savon à vaisselle doux, en faisant extrêmement attention pour éviter que le liquide n'entre en contact avec les composants électriques. Rincez bien et séchez à fond avec un linge doux et propre.
5. Remplacez les clayettes et les bouteilles que vous avez retirées

COUPURES DE COURANT

La plupart des pannes de courant sont corrigées en quelques heures et n'affecteront pas la température du refroidisseur à vin, surtout si vous évitez d'ouvrir la porte lorsque le courant est coupé. Attendez 3 à 5 minutes avant de redémarrer le refroidisseur à vin après qu'il ait été débranché, éteint ou qu'il ait subi une panne de courant; le refroidisseur à vin ne fonctionnera pas si vous tentez de le redémarrer avant cette heure.

REMARQUE - Si le courant va être coupé pendant une période prolongée, vous devrez peut-être trouver un stockage alternatif pour votre vin.

ENTRETIEN ET NETTOYAGE

DÉPLACEMENT DE REFROIDISSEUR À VIN

Afin de réduire les risques de dommages matériels ou de détérioration du refroidisseur à vin lors de son déplacement, respectez les précautions suivantes :

- Retirez toutes les bouteilles de vin. Déplacer le refroidisseur à vin chargé pourrait déformer la caisse.
- Retirez les clayettes ou placez de la mousse entre elles pour les empêcher de bouger pendant le transport.
- Tournez les pieds de nivellement jusqu'à la base.
- Appliquez du ruban adhésif sur la porte pour la tenir fermée.
- Protégez l'extérieur du refroidisseur à vin avec une couverture ou des articles similaires.
- Si possible, maintenez le refroidisseur à vin en position verticale pendant le transport.



AVERTISSEMENT - Le refroidisseur à vin est extrêmement lourd. Afin de réduire le risque de blessure, deux personnes sont nécessaires pour déplacer l'appareil et/ou inverser la porte.

MISE AU REBUT DU REFROIDISSEUR À VIN

Avant de jeter ce refroidisseur à vin, respectez les précautions suivantes :

- Débranchez-le de la prise de courant, coupez le cordon d'alimentation et jetez-le.
- Protégez l'extérieur du refroidisseur à vin avec une couverture ou des articles similaires.
- Si possible, maintenez le refroidisseur à vin en position verticale pendant le transport.
- Retirez la porte et laissez toutes les clayettes en place pour réduire le risque que des enfants grimpent à l'intérieur et soient piégés et/ou suffoqués.



MODE D'ÉLIMINATION APPROPRIÉ DU PRODUIT

Ce symbole sur le produit, ou dans son emballage, indique que ce produit ne doit pas être traité comme un déchet ménager. Il faut plutôt l'apporter au point de collecte des déchets approprié pour le recyclage des équipements électriques et électroniques. En veillant à ce que ce produit soit éliminé correctement, vous aiderez à prévenir les conséquences négatives potentielles pour l'environnement et la santé humaine, qui pourraient autrement être causées par une manipulation inappropriée des déchets de ce produit. Pour plus d'informations sur le recyclage de ce produit, veuillez contacter votre municipalité locale ou votre service d'élimination des déchets ménagers.

DÉPANNAGE

Vous pouvez résoudre facilement la plupart des problèmes communs du refroidisseur à vin, vous épargnant possiblement le coût de réparation par un technicien certifié. Essayez les suggestions ci-dessous pour voir si vous pouvez résoudre le problème avant d'appeler un technicien certifié.

PROBLÈME	CAUSES POSSIBLES
Le refroidisseur à vin ne fonctionne pas	Le cordon d'alimentation n'est pas branché. Le refroidisseur à vin est éteint. Disjoncteur déclenché ou fusible grillé.
Le refroidisseur à vin n'est pas assez froid	La température est trop élevée. Température ambiante élevée. La porte est ouverte trop fréquemment. La porte n'est pas complètement fermée. Le joint de la porte ne scelle pas correctement.
Le refroidisseur à vin s'éteint et s'allume fréquemment	La température ambiante est plus élevée que d'habitude. Caisse surchargé. La porte est ouverte trop fréquemment. La porte n'est pas complètement fermée. Le joint de la porte ne scelle pas correctement.
L'éclairage intérieur ne s'allume pas	L'éclairage est éteint. L'ampoule est grillée. Le cordon d'alimentation n'est pas branché. Le refroidisseur à vin est éteint. Disjoncteur déclenché ou fusible grillé. Le joint de la porte ne scelle pas correctement. Le refroidisseur à vin n'est pas nivelé.
Vibration excessive	Le refroidisseur à vin n'est pas nivelé.
Bruit excessif	Les bruits de cliquetis provenant du flux de réfrigérant sont normaux. Les gargouillis à la fin de chaque cycle sont normaux. Des bruits de claquement et/ou de crépitement peuvent être causés par la contraction et la dilatation des parois intérieures.
La porte ne ferme pas correctement	Le refroidisseur à vin n'est pas nivelé. La porte a été inversée mais pas correctement réinstallée. De la saleté ou des débris se trouvent sur le joint de la porte. Une ou plusieurs clayettes ne sont pas en place.