

## WARRANTY

Koolatron Corporation warrants that this product will be free from defects in materials or workmanship under normal household use for a period of 1 year from the date of retail purchase. During this time, defective products will be repaired or replaced at the discretion of the retailer and/or Koolatron Corporation.

This warranty covers normal household usage and does not cover damage which occurs in shipment or results from accident, misuse or abuse, unauthorized repair or alteration, improper maintenance, commercial use, or use with a voltage converter or aftermarket accessories. A Koolatron Master Service Centre must perform all warranty work.

### WARRANTY AND SERVICE PROCEDURE

Keep your original, dated, sales receipt with this manual. If this product proves to be defective within the warranty period, please contact Koolatron Corporation by email [service.au@koolatron.com](mailto:service.au@koolatron.com) for assistance.

Register online at [koolatron.com.au](http://koolatron.com.au) and add another 6 months of warranty protection.



## ICE MAKER



[koolatron.com.au](http://koolatron.com.au)  
©2023 Koolatron, Inc. All rights reserved.  
All specifications are subject to change without notice.  
Made in China

H1S375  
4/2023-v1-AU

KIM26-SS-AU  
User Manual

*Please Read These Instructions Carefully Before Use!*

# IMPORTANT SAFEGUARDS

When using electrical appliances, basic safety precautions should always be followed, including the following:

1. Read all instructions carefully.
2. **DANGER!** To protect against risk of electric shock, do not immerse cord, plug or any parts of the unit in water or other liquids.
3. Close supervision is necessary when using this appliance near children. This appliance is not suitable for use by children.
4. Never leave an appliance unattended while in use.
5. Do not place an appliance on or near a hot gas or electric burner, or in a heated oven. Do not place on top of any other appliance.
6. Do not let the power cord of an appliance hang over the edge of a table or countertop or touch any hot surface.
7. Do not operate any electrical appliance with a damaged cord or plug or after the appliance malfunctions or has been dropped or damaged in any manner. If damage is suspected, contact the nearest authorized service center for examination, repair or electrical or mechanical adjustment.
8. Unplug from power outlet when not in use, before putting on or taking off attachments, and before cleaning.
9. The use of accessory attachments that are not recommended by the appliance manufacturer may cause fire, electric shock or injury.
10. Avoid contact with moving parts when the unit is in operation.
11. Never touch the cooling elements when the unit is in operation.
12. Do not use outdoors.
13. Do not use appliance for other than its intended use.

## SAVE THESE INSTRUCTIONS

# IMPORTANT SAFEGUARDS

## ELECTRICAL REQUIREMENTS

### WIRING AND GROUNDING INSTRUCTIONS

- This appliance must be plugged into at least a 15 AMP 220-240 VOLT 50 Hz GROUNDED OUTLET.
- This appliance must be grounded. It is equipped with a 3-wire cord having a grounding plug.
- The plug must be plugged into an outlet that is properly installed and grounded.



**WARNING!** Improper use of grounded wire can result in the risk of electric shock. Do not attempt to defeat this safety feature by modifying the plug.

Avoid the use of an extension cord because it may overheat and cause a risk of fire. However, if it is necessary to use an extension cord:

- A. Use only 3-wire extension cords with 3-blade grounding plug.
- B. The marked rating of an extension cord must be equal to or greater than the rating of this appliance.
- C. It should be positioned such that it does not drape over the counter or tabletop where it can be pulled on by children intentionally.

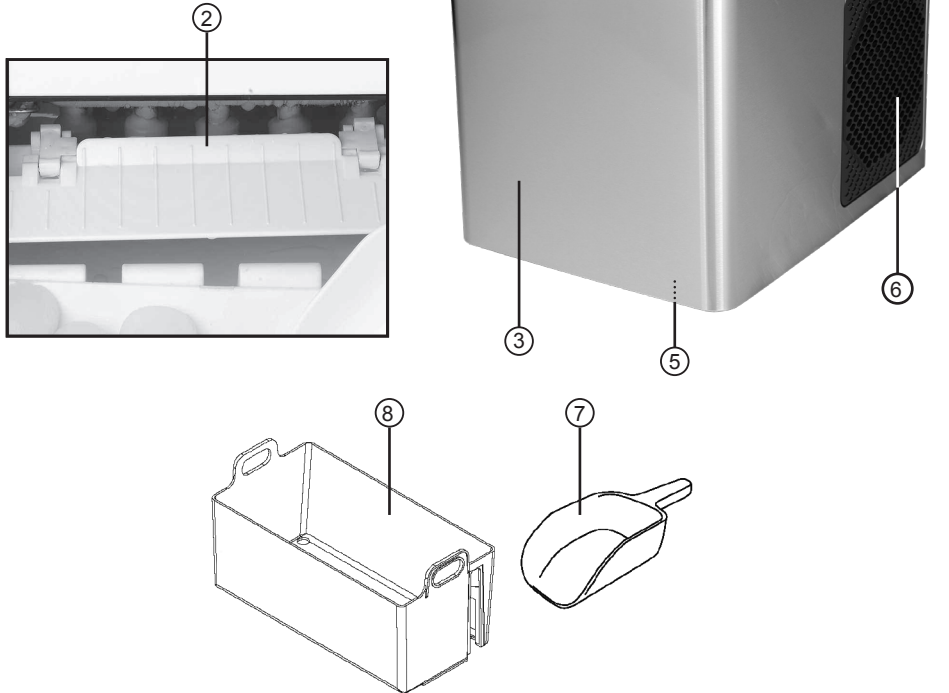
To minimize the possibility of electric shock, unplug this appliance from the power supply or disconnect at the household distribution panel by removing the fuse or switching off the circuit breaker before attempting any maintenance or cleaning.



**NOTE** - Pressing the Power ON/OFF button to an off position does NOT disconnect the appliance from the power supply.

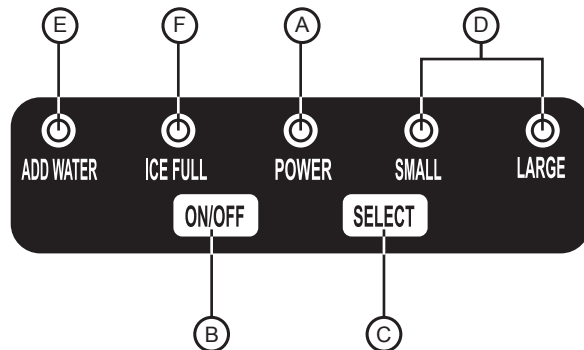
## FEATURES

1. Cover with transparent window
2. Ice maker and pusher
3. Water reservoir
4. Control panel
5. Water drain cap
6. Compressor cooling fan
7. Ice scoop
8. Ice basket



## CONTROL PANEL

- A. Power ON LED indicator light
- B. Power ON/OFF button
- C. Ice cube SELECT SIZE button
- D. Selected ice size LED light indicator
- S for small, and L for large ice cubes
- E. "ADD WATER" alert indicator
- F. "ICE FULL" LED indicator



## OPERATING INSTRUCTIONS

This portable ice maker uses a fully automatic control system, with an advanced microcomputer for easy and convenient ice making. Making ice is simple and fast. Just add water, plug into an outlet, and press the ON button. You can select one of the two ice cube sizes with the touch of a button. When first turning on the unit or during icemaking cycles, the compressor will stay idle for 3 minutes, while energizing.

There are warning indicators that alert you to fill water when the reservoir is empty and to remove ice when the storage basket is full. The icemaker also has built-in safeguards that can limit accidental damage, automatically shutting down the system when necessary.

### PRE-OPERATING INSTRUCTIONS

Please read carefully.

1. The incline angle of the icemaker cabinet should not exceed 45° during transportation or use. Do not turn the icemaker upside down. Doing so could cause the compressor or refrigerating system to operate incorrectly. When the icemaker is moved or transported, please allow time for the fluids in the compressor to settle. Before using the icemaker for the first time, please wait 2 hours after the unit has been leveled and positioned in its proper place.
2. Please ensure the icemaker is level and on a stable table or platform to avoid malfunction. The machine must be placed on a dry and level surface with sufficient ventilation, far from heat sources such as ovens, heaters and corrosive gases. Leave an 8-inch clearance on all sides of the ice maker for proper ventilation.
3. Do not fill the water reservoir with hot water. This may damage the icemaker. It is best to fill the water reservoir with water of room temperature or lower.

### OPERATING PROCESS

1. Water is pumped from the water storage tank to the water box, which may take up to 1 minute.
2. The icemaking cycle begins when the evaporator rods are dipped into the water box. You will hear the compressor working.
3. It will take approximately 5-13 minutes for each icemaking cycle, depending on the size selected. The larger the size, the more time is needed to make the ice. After the cycle is finished, the water box will tilt forward and the remaining water will flow back into the water storage tank. The evaporator rods will then release the ice cubes.

**NOTE** - If the room ambient temperature is below 60° F, then small ice cube sizes are suggested to prevent ice cubes from fusing together.

4. Approximately 60 seconds later, the water box will tilt backwards and the ice pusher will push the ice into the ice storage basket. After the water box flips back to its original position, the next icemaking cycle will begin.

## OPERATING INSTRUCTIONS

### OPERATING PROCESS (continued)

5. When the maximum capacity of ice cubes is collected and the ice reaches the temperature sensor, the icemaker will automatically stop operating. The "ICE FULL" LED indicator will light up. If more ice is needed, remove the ice from the ice storage basket; then replace the basket into the machine, making sure that the basket is placed back to its original position.

**NOTE** - When replacing the basket, ensure that the temperature sensor is above the basket so that the machine operates properly.

6. To continue making ice, check that there is water in the water storage tank. If there is no water in the water storage tank, then no water will be pumped into the water box, and the operation will stop. The "Add Water" LED display will light up. Press the "OFF" button. Fill the water storage tank with water, and then press the "ON" button for the icemaker to begin operating again. Allow the refrigerant inside the compressor at least 3 minutes to settle before restarting.



**WARNING!** If the compressor stops for any reason such as water shortage, too much ice, power off, etc., do not restart the machine right away. Wait at least 3 minutes before restarting the machine.

### TECHNICAL SPECIFICATIONS

Electrical Shock Protection	Class 1
Power	220 V / 50 Hz
Ice Making Current	1.5 A
Ice Harvest Current	2.0 A
Refrigerant	R600a / 28g (1oz.)
Pressure High Side	290 Psig
Pressure Low Side	138 Psig
Dimensions	9.5" x 14.1" x 12.9"
Weight	20.5 lbs.
Enclosure	ABS plastic

## CLEANING AND MAINTENANCE

**Before using your icemaker, it is strongly recommended that you clean the icemaker thoroughly.**

1. When cleaning, please make sure the power has been turned off and the plug is disconnected from the power outlet. When plugging or unplugging the unit from the outlet, pull directly on the plug. Never pull on the power cord.
2. Remove the ice storage basket.
3. Drain remaining water from unit. Remove the cap, then the rubber plug from the spout. When assembling back together, the rubber plug must be inserted first into the spout, and then capped. Otherwise, the icemaker will leak.
4. Use a mild detergent diluted in warm water and wipe with a soft towel or sponge.



**WARNING!** Solvents, detergents and abrasives must never be used for cleaning.

5. Wipe the inner parts, such as the ice storage basket, water reservoir, water box, ice pusher, and evaporator rods.
6. The outside of the icemaker should be cleaned regularly with a mild detergent solution, warm water, and a soft cloth.
7. Dry the interior and exterior with a soft cloth.
8. To begin making ice once the unit has been cleaned, pour clean water into the water reservoir and fill up to the level line follow operating instructions.



**WARNING!** Never tilt or place the icemaker on its side, otherwise you must wait 10 hours for compressor coolant to settle.

9. To ensure the cleanliness of the ice cubes, the water in the water storage tank should be replaced every 24 hours.
10. When the machine is not in use or will not be used for an extended period of time, unscrew the drain cap, then remove the rubber plug behind the unit to empty the remaining water in the water reservoir completely. Follow the instructions in number 4 above.

Be sure to clean the icemaker regularly. To keep the ice tasting fresh, it is recommended to clean the ice maker once per week.

