

WARRANTY

Koolatron Corporation warrants that this product will be free from defects in materials or workmanship under normal household use for a period of 1 year from the date of retail purchase. During this time, defective products will be repaired or replaced at the discretion of the retailer and/or Koolatron Corporation.

This warranty covers normal household usage and does not cover damage which occurs in shipment or results from accident, misuse or abuse, unauthorized repair or alteration, improper maintenance, commercial use, or use with a voltage converter or aftermarket accessories. A Koolatron Master Service Centre must perform all warranty work.

WARRANTY AND SERVICE PROCEDURE

Keep your original, dated, sales receipt with this manual. If this product proves to be defective within the warranty period, please contact Koolatron Corporation at 1-800-265-8456 (North America) or email service@koolatron.com for assistance.

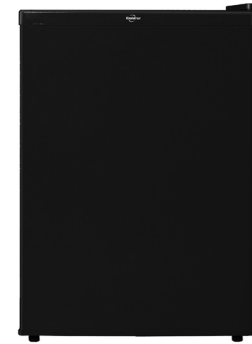
Register online at www.koolatron.com and add another 6 months of warranty protection.



Kool Compact Fridges



KBC-46SS



KBC-70B



KBC-88W



KBC-88B



KBC-130SS



www.koolatron.com

©2023 Koolatron, Inc. All rights reserved.

All specifications are subject to change without notice.

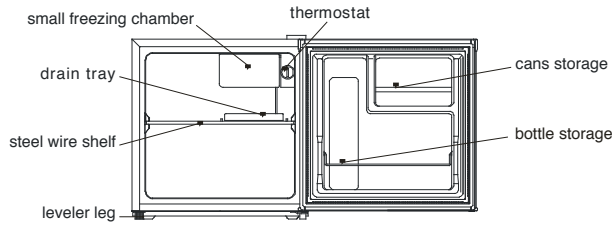
Made in China

H1S050 05/2022 - v5

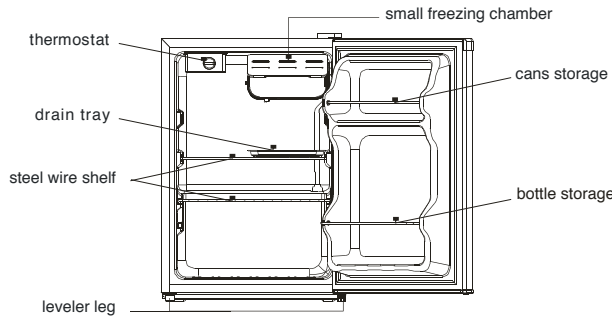
Please Read These Instructions Carefully Before Use!

User Manual

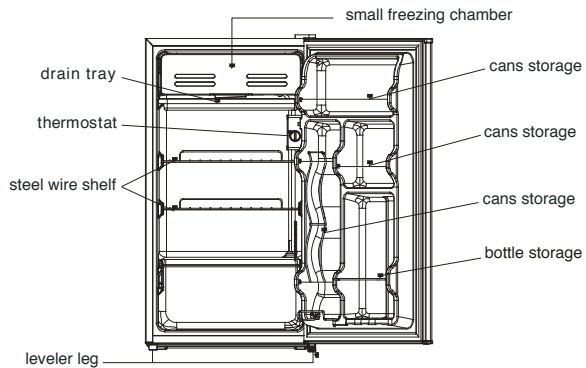
PARTS



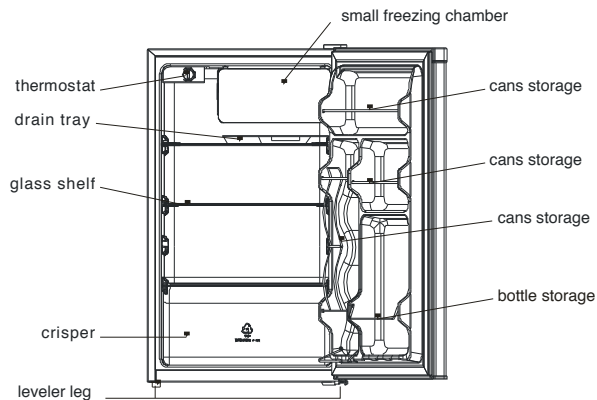
KBC-46SS



KBC-70B



**KBC-88B
KBC-88W**



KBC-130SS

IMPORTANT SAFEGUARDS

Before you use the fridge, please read this owner's manual carefully.

- This appliance is for household / 110V AC use. It is not designed for commercial or rental purposes.
- This device must be properly installed in accordance with the installation instructions before it is used.
- Never unplug the fridge by pulling on the power cord. Always grasp the plug firmly and pull straight out from the outlet.
- Repair or replace immediately, all electric service cords that have become frayed or otherwise damaged. Do not use a cord that shows cracks or abrasion damage.
- Unplug the fridge before cleaning or before making any repairs.
- Do not operate the fridge in the presence of explosive fumes.
- The wall outlet must be properly grounded.
- Do not use the unit in the immediate surroundings of a bath, shower, pool or standing water.
- Before discarding or storing, we recommend that you remove the door and leave the shelves in place. This will reduce the possibility of danger to children.
- After your refrigerator is in operation, do not touch the cold surfaces in the freezer compartment, particularly when hands are damp or wet. Skin may adhere to these extremely cold surfaces.
- Do not refreeze foods that have been thawed completely. The United States Department of Agriculture in Home and Garden Bulletin No. 69 reads: "...You may safely refreeze frozen foods that have thawed if they still contain ice crystals or if they are still cold-below 40°F. "...Thawed ground meats, poultry, or fish that have any off-odor or off-color should not be refrozen and should not be eaten. Thawed ice cream should be discarded. If the odor or color of any food is poor or questionable, discard it. The food may be dangerous to eat ... Even partial thawing and re-freezing reduce the eating quality of foods, particularly fruits, vegetables, and prepared foods. The eating quality of red meats is affected less than that of many other foods. Use refrozen foods as soon as possible, to save as much of its eating quality as you can."

NOTE: If for any reason this product requires service, we strongly recommend that a certified technician perform the service.

REFRIGERANT GAS WARNINGS

DANGER - RISK OF FIRE OR EXPLOSION. FLAMMABLE REFRIGERANT USED.

- DO NOT use mechanical devices to defrost refrigerator.
- DO NOT puncture refrigerant tubing.
- Consult repair manual/owner's guide before attempting to service this product. All safety precautions must be followed.
- Dispose of property in accordance with federal or local regulations.

Use of extension cords

Because of potential safety hazards under certain conditions, we strongly recommend against the use of an extension cord. However, if you must use an extension cord, it is absolutely necessary that it be a UL-listed (in the U.S.) or a CSA-listed (in Canada), 3-wire grounding type appliance extension cord having a grounding type plug and outlet and that the electrical rating of the cord be 15A (minimum) and 120V.

DANGER! RISK OF CHILD ENTRAPMENT PROPER DISPOSAL OF THIS REFRIGERATOR

Child entrapment and suffocation are a problem with junked or abandoned refrigerators. If you are getting rid of your old refrigerator, please follow these instructions to help prevent accidents. Take off the door, but leave the shelves in place so that children may not easily climb inside.

INSTALLATION

Before using your fridge

The temperature in the fridge will depend on:

- The temperature in the surrounding area.
- The frequency and duration when the door is open.
- Contents in the fridge
- Remove the exterior and interior packaging, including protective foam on door panels.
- Check to be sure the all parts are included.
- Before connecting the appliance to the power source, let it stand upright for approximately 2 hours. This will reduce the possibility of a malfunction in the cooling system from handling during transportation.
- Clean the interior surface with lukewarm water using a soft cloth.

Installation of your fridge

- Place your appliance on a floor that is strong enough to support the appliance when fully loaded. To level your appliance, adjust the legs at the front of the appliance.
- Allow 5 inches of space between the back and sides of the appliance, which allows the proper air circulation to cool the compressor.
- Locate the appliance away from direct sunlight and sources of heat (stove, heater, radiator, etc.). Direct sunlight may affect the acrylic coating and heat sources may increase electrical consumption. Extreme cold ambient temperatures may also cause the appliance not to perform properly.
- Avoid locating the appliance in moist areas. Too much moisture in the air will cause frost to form quickly on the evaporator.
- Plug the appliance into an exclusive properly installed grounded wall outlet. Do not under any circumstances cut or remove the third (ground) prong from the power cord. Any questions concerning power and/or grounding should be directed toward a certified electrician or an authorized products service center.

WARNING!

Improper use of the grounded plug can result in the risk of electrical shock. If the power cord is damaged, have it replaced by an authorized products service center.

HOW TO OPERATE

Temperature control is provided by a knob inside the unit.

There is an OFF position (O) and 5 control marks.

- high setting is (next to the O position) is 32°F / 0°C
- low setting is 50°F / 10°C

Each increment will be 4.5°F / 2.5°C apart.

The following actions can increase the cooling function of this product:

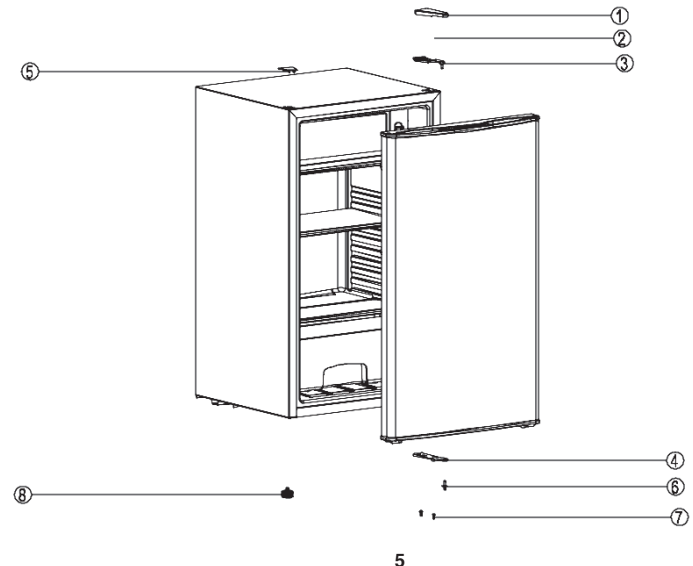
1. When you use the unit for the first time, allow the unit to operate continuously for 12-18 hours.
2. Increase the amount of space between the items placed in the unit. Do not overload.

REVERSING THE DOOR SWING

Before reversing the door, the power must be shut off. All parts removed must be saved to do the reinstallation of the door.

This unit has the capability of either opening the door from the left or right side. To reverse the opening direction, please follow these instructions.

1. Remove the upper hinge cover (1) first.
2. Remove the two screws (2) that hold the upper hinge (3) (right side) to the frame. Take away the upper hinge (3).
3. Lift the door and place it on a padded surface to prevent scratching it.
4. Remove the two screws (7) that hold the lower hinge (4) and remove hinge (4).
5. Remove the left front leg (8) and transfer it to the right side.
6. Remove the plug (5) and move to the right side.
7. Before placing this lower hinge (4), remove the bolt-pin (6) and reverse the direction of the lower hinge (4). Then install the lower hinge onto the left side of the lower frame with two screws (7).
8. Insert the bolt-pin (6) to the lower hinge (4).
9. Set the door to its place making sure the door seat at the lower hinge (4).
10. While holding the door in the closed position secure the upper hinge (3) in the top frame of left side with two screws (2). Please remember that do not tighten the screws until the top of the door is leveled with the counter top.
11. Install the cover (1) on the upper hinge.



MAINTENANCE

Cleaning

- Unplug the unit, and remove all items.
- Wash the inside and shelf with a warm water and baking soda solution. The solution should be about 2 tablespoons of baking soda to a quart of water.
- Wash the shelf with a mild detergent solution.
- The outside of the fridge should be cleaned with mild detergent and warm water.
- It may also be necessary to periodically wipe the bottom part of the storage area, as the unit is designed to retain humidity, and condensation may collect there.

Maintenance

- Power Failure

Most power failures are corrected within a few hours and should not affect the temperature of your unit if you minimize the number of times the door is opened. If the power is going to be off for a longer period of time, you need to take the proper steps to protect your contents.

Vacation Time

During long absences, remove all items; unplug, clean, and leave the door open slightly to avoid possible formation of condensation, mold, or odors.

Moving

- Remove all items.
- Securely tape down shelf.
- Turn the levelling screws up to the base to avoid damage.
- Tape the doors shut.
- Be sure the unit stays in the upright position during transportation.

TECHNICAL SPECIFICATIONS

For detailed specifications, please refer to the nameplate at the back of the unit.
The specifications are subject to change without prior notice due to products improvement.

TROUBLESHOOTING

You can solve many common Kool Compact Fridge problems easily, saving you the cost of a possible service call. Try the suggestions below to see if you can solve the problem before calling for service.

PROBLEM

Unit does not operate.

POSSIBLE CAUSE & SOLUTIONS

Not plugged in.
The circuit breaker tripped or blown fuse.
The temperature control is set at "OFF" position.

Unit is cooling excessively.

The temperature control dial may be set too high.
If you place food containing a lot of moisture directly under the cool air outlets, they will freeze easily. This does not indicate a malfunction.

Unit is not cold enough.

Check the temperature control setting.
The room temperature is hotter than normal.
The door is opened too often.
The door is not closed completely.
The door gasket does not seal properly.
The unit does not have the correct clearances.
Abnormal voltage.

The light does not work.

Not plugged in.
The circuit breaker tripped or a blown fuse.
The LED light has burned out.

Vibrations.

Check to assure that the unit is level.

The door will not close properly.

The unit is not level.
The gasket is dirty.
The shelves are out of position.



WARNING! This product contains chemicals known to the State of California to cause cancer, and birth defects or other reproductive harm. www.P65Warnings.ca.gov