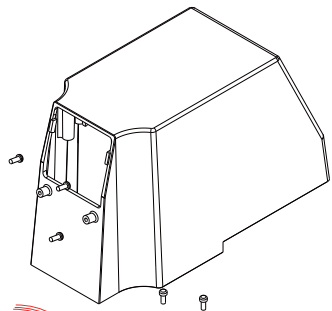
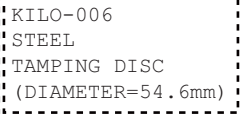
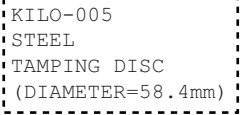
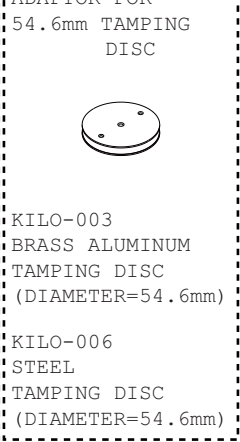
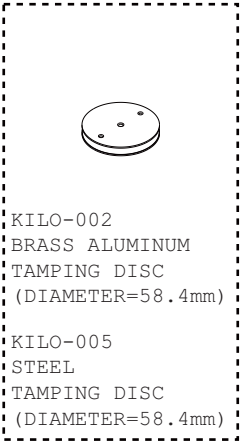
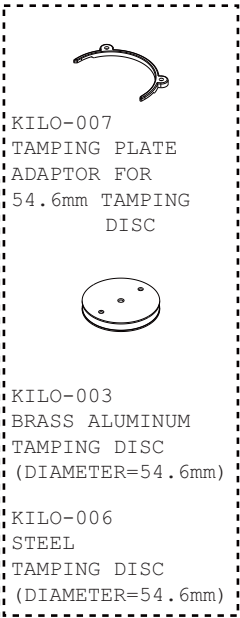


KILO-010 CELL PCB W/WIRE

KILO-014 INNER DAMPING SPRING

KILO-013 OUTER DAMPING SPRING

KILO-012 SHAFT DAMPING SPRING



KILO-020 PROXIMITY SENSOR

KILO-016 MOTOR

KILO-022
WIRE ASSY
W/ MICRO SWITCHES

KILO-015
WOOLCIRCLE

KILO-017 SHIELDING CASE

KILO-019 FEET

KILO-018
ON/OFF SWITCH

KILO-021
POWER SUPPLY BOARD

PARTS DIAGRAM FOR MODEL
KILO BLACK - KILO WHITE
VER.1 20201028