

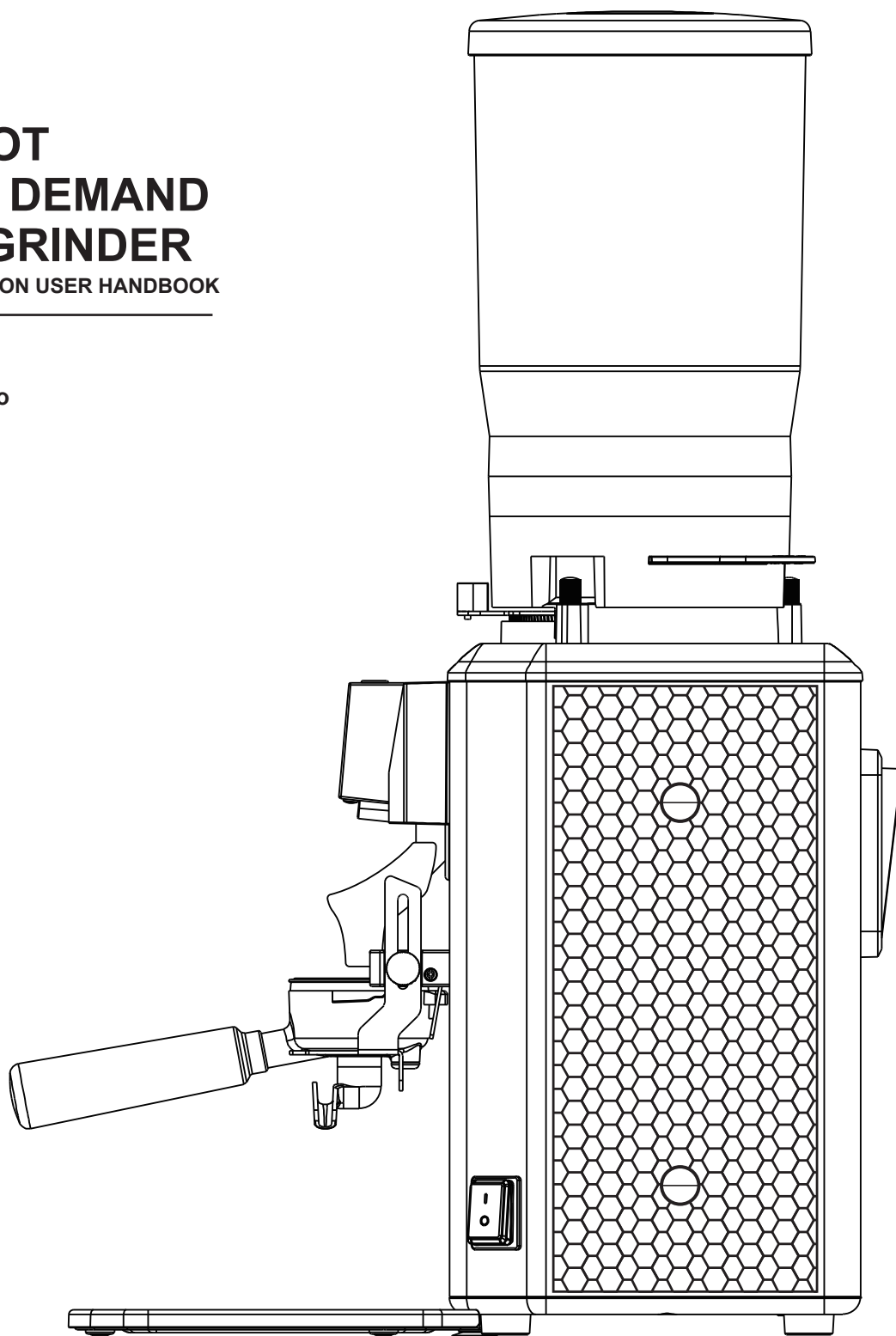


# SLINGSHOT TALIS ON DEMAND COFFEE GRINDER

ORIGINAL INSTRUCTION USER HANDBOOK

---

Models **Talis S64**  
**Talis S75**  
**Talis S75 Pro**



## EC Declaration of Conformity

The manufacturer:  
Slingshot Technology Corporation Ltd  
7/F Meyer Industrial Building, 2 Chong Yip Street, Kowloon, Hong Kong

declares that the product described is in conformity with the following European Directives: 2006/42/EC  
and The EMC Directive:2014/30/EU

For verification of compliance with said directive, the following harmonized standards have been applied:

EN ISO 12100:2010

Product Name: Talis On Demand Grinder  
Product Model: Talis S64, Talis S75, Talis S75 Pro  
Trade Mark: SLINGSHOT

### AUTHORISED PERSON TO COMPILE THE TECHNICAL FILE

Mr. Luca Giorgella  
2/19 Rudloc Rd, Morley WA 6062  
+61 1300 066 992

We guarantee that we will provide the authorised representative information before we export the machine to  
E.U.Responsible for making this declaration is the manufacturer.



**Luca Giorgella**  
Director R&D

## INDEX

### Page 3

Precautions and Safety Features  
Application and use of the Grinder

### Page 5

General Description

### Page 6

Initial Setup

### Page 7

Using the Grinder  
Ready to Start

### Page 8

Joystick Control  
Dispensing the Coffee in the Portafilter

### Page 9

Adjusting the Grind  
Burr Life Programming  
Reset the Usage Counter

### Page 10

Safety Devices

### Page 11

Cleaning and Maintenance

## PRECAUTIONS AND SAFETY FEATURES

The packing materials (carton, cellophane, staples, polystyrene, etc..) can cut, wound or create hazards if used improperly or handled carelessly. Store such materials out of reach of children and irresponsible persons.

This symbol on the appliance or package means that the appliance must not be considered as normal household refuse but that it must instead be delivered to an appropriate collection centre for the recycling of electric and electronic appliances.



Read this manual from cover to cover before using the appliance as it contains important instructions for the safety, operation and maintenance of the appliance. Look after this manual and keep it in a safe place.

### DISPOSAL OF THE UNIT

At the end of its service life, this product cannot be disposed of in normal domestic waste. The symbol on the product and in the operating instructions point out to this fact. The materials are recyclable according to your marking. With the reuse, recycling or other forms of recycling of old equipment, you make an important contribution to the protection of our environment. Please ask your municipal administration for the disposal point.



The manufacturer reserves the right to make changes to the product and to the manual. The company cannot be held liable for any damage to people or property resulting from failure to respect the instructions concerning safety, installation and maintenance contained in this manual. Before connecting the machine, check that voltage and frequency values of the supply mains correspond to the ratings indicated on the label featuring the grinder's technical data.



### **IT IS COMPULSORY TO EARTH THE APPLIANCE.**

Avoid use of multiple-plug adapters and extension cords or makeshift connections.



The Coffee Grinder must be installed only by authorised, qualified personnel.

### **THE COFFEE BEANS HOPPER MUST BE PLACED ON THE APPLIANCE AND PROPERLY FIXED WITH THE APPROPRIATE SCREW.**

If the thermal breaker to protect the motor is triggered, do not attempt any other manoeuvre. Unplug the machine from the power mains and make sure that any problems have been solved before switching the machine on again.

It is essential to check the state of the supply cable and plug periodically.

### **IN THE EVENT THE SUPPLY CABLE OR PLUG ARE DAMAGED, CALL IN SKILLED TECHNICAL PERSONNEL TO REPLACE THEM, THIS TO PREVENT ANY RISK.**

### ELECTRICAL INSTALLATION RULE

Prior to installation, make sure there is a circuit breaker installed with a distance between the contacts that allows for complete disconnection when there is a category III overload and that provides protection against current leakage equal or less than to 30 mA. The circuit breaker must be installed on the power supply in compliance with installation rules.



If the power supply is not working properly, the machine can cause transitory voltage drops. The electrical safety of this machine is only ensured when it is correctly connected to an efficient earthing system in compliance with the electrical safety laws in force. This fundamental safety requirement must be verified. If in doubt, request that a qualified electrician inspect the system. The manufacturer cannot be held responsible for any damage caused by the lack of an earthing system on the electrical supply. It is inadvisable to use adaptors, multiple plugs, and/or extension cords. If their use is indispensable, only use simple or multiple adaptor plugs and extension cords that are in compliance with safety laws. Make sure these devices do not exceed the voltage capacity marked on the simple adaptor and on extension cords, and the maximum voltage marked on the multiple adaptor.

In order to avoid a hazard due to inadvertent resetting of the thermal cut-out, this appliance must not be supplied through an external switching device, such as a timer, or connected to a circuit that is regularly switched on and off by the utility.

## APPLICATION AND USE OF THE GRINDER

This coffee grinder has been designed only for grinding roasted coffee beans. Any other use is understood to be improper, and therefore hazardous.

### OPERATING RANGE OF THE MOTOR

Max. permitted operating cycle:

Talis S64 - 8 seconds on / 15 seconds off

Talis S75 - 5 seconds on / 15 seconds off

Talis S75 Pro - 5 seconds on / 15 seconds off

The manufacturer cannot be held responsible for any damage as a result of improper or incorrect use.

**THIS COFFEE GRINDER HAS BEEN DESIGNED ONLY FOR PROFESSIONAL USE BY TRAINED PERSONNEL AND NOT FOR HOUSEHOLD USE.**

The user must be an adult. Do not allow children or incapable persons to use this coffee grinder. Children should be supervised to ensure that they do not play with the appliance.

The instructions concerning persons (including children) with reduced physical, sensory or mental capabilities or lack of experience and knowledge and children playing with the appliance are not applicable.

The grinder is intended to be used for commercial applications, for example in kitchens of restaurants, canteens, hospitals and in commercial enterprises such as bakeries, but not for continuous mass production of ground coffee.

This appliance is to be connected with flexible connections for equipotential bonding and connection to services such as electricity supply, water supply, gas supply and steam supply such that the appliance can be moved in the direction required for cleaning a distance not less than the dimension of the appliance in the direction of movement plus 500 mm without the flexible connections becoming taut or being subject to strain.

### **WARNING:**

Installation, dismantling, and adjustments must only be performed by qualified and authorised technicians.

Carefully read the warnings and rules in this manual because they provide important information regarding safe installation, use and maintenance of the machine.

Keep this booklet handy for easy reference.

After removing the machine from its packing materials, make sure that the machine and its safety devices are intact.

If the power supply cord is damaged, it can only be replaced by qualified and authorised technicians.

Packing materials (plastic bags, polystyrene foam, staples, etc.) must be kept out of the reach of children because they are potentially hazardous.

Before plugging in the machine, make sure that the information on the nameplate (voltage, etc.) matches that of the electrical and water systems.

Completely unwind the power supply cable.

The coffee grinder should sit on a flat, stable surface at least 20 mm from walls and from the counter.

Room temperature must range between 10 C and 32 C (50 F and 90 F).

Do not install in rooms (kitchens) that are cleaned with jets of water.

Do not clean the machine with jets of water.

Do not obstruct openings or ventilation and heat vents.

Do not install the machine outdoors.

This machine shouldn't be used against misuse, and care is needed when handling cutting blades during cleaning.

Keep cleaning powder container tightly closed in a dry and well-ventilated place.

Users can refer online manual on Slingshot website ([www.slingshot.coffee](http://www.slingshot.coffee)).



Fig. A

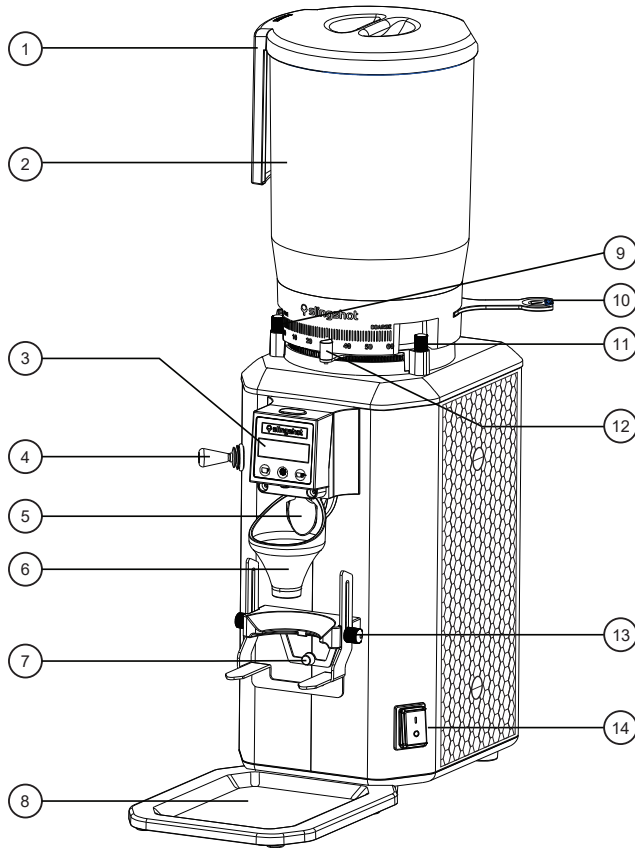
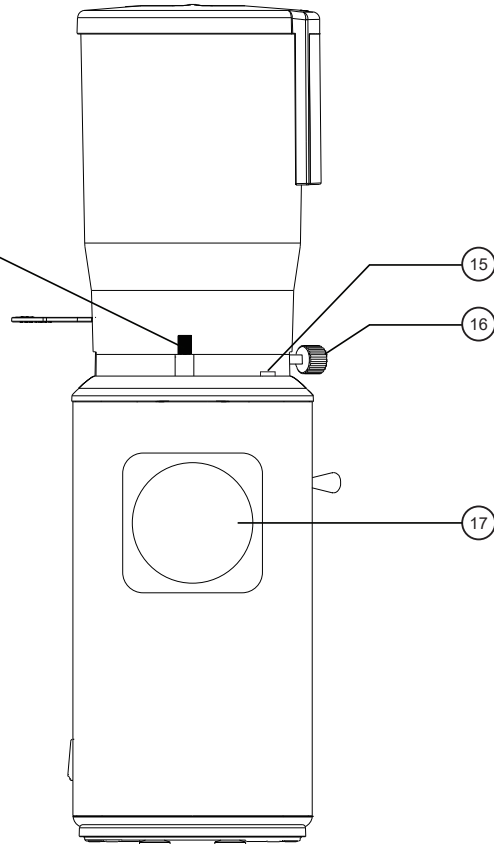
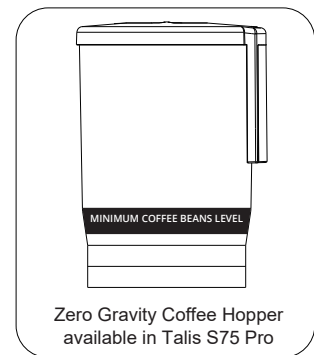


Fig. B



- 1. Hopper Lid
- 2. Coffee Bean Hopper
- 3. Digital Display
- 4. Joystick
- 5. Grind Outlet
- 6. Funnel
- 7. Portafilter Switch
- 8. Removable Tray
- 9. Hopper Lock Screw
- 10. Coffee Bean Hopper Chute
- 11. Safety Lock Screw\*
- 12. Grinding Adjustment Lever
- 13. Fork Portafilter
- 14. Main Power Switch
- 15. Adjustment Dial Lock
- 16. Grind Size Adjustment Dial
- 17. Cooling Fan

\*The safety lock screw must be tightened to start the machine.



MODEL	Talis S75, Talis S75 Pro	Talis S64
Volts (V)	220-240V	220-240V
Frequency (Hz)	50-60Hz	50-60Hz
Power (W)	550-650W	380-580W
Revolution per min. (rpm)	1340	1340
Burrs type/size	Flat 75mm	Flat 64mm
Net Weight (kg)	14.7 kg	12.5 kg

**INITIAL SETUP**

Before using the coffee grinder, please clean up the bean hopper and hopper lid with a damp cloth. Make sure the inside parts are completely dry before using.

**Note :**

- Do not immerse the grinding burr in water or any other liquid.
- This coffee grinder is intended to grind whole coffee beans only.
- The safety lock screw must be tightened to start the grinder.



1. Attach the Coffee Bean Hopper to the grinder and tighten the 3 lock screws. (Fig. C)
2. Fill the Coffee Bean Hopper with coffee beans.

The dual coffee bean hopper chamber of the Talis ensures consistent flow of the coffee beans to the grinder, improving dose accuracy and reducing grinding variations.

**(Available in Talis S75 Pro) To maintain constant pressure of the coffee beans on top of the grinding burrs and ensure consistent grinding, it is important to keep the coffee beans above the "MINIMUM COFFEE BEANS LEVEL" (Fig.D).**

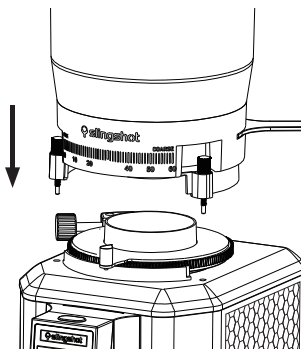


Fig. C

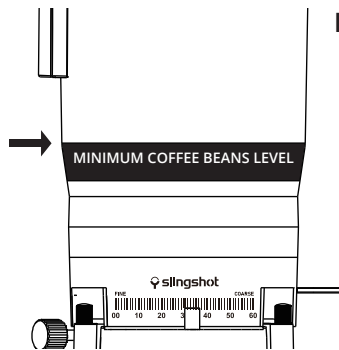


Fig. D

3. Place the lid of the hopper onto the bean hopper and open the Chute.
4. Ensure the main power switch is off and plug in the power cord.
5. Adjust the height of the portafilter fork to match the portafilter being use. (Fig.E)
6. Adjust the position of grind outlet. Loosen the screw for micro adjust the funnel outlet position. (Fig.F)

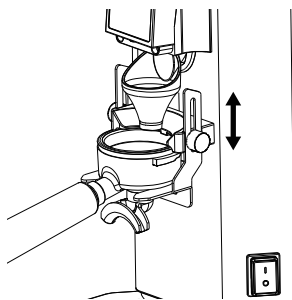


Fig. E

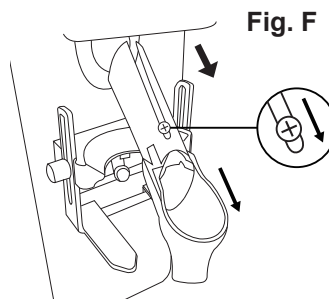
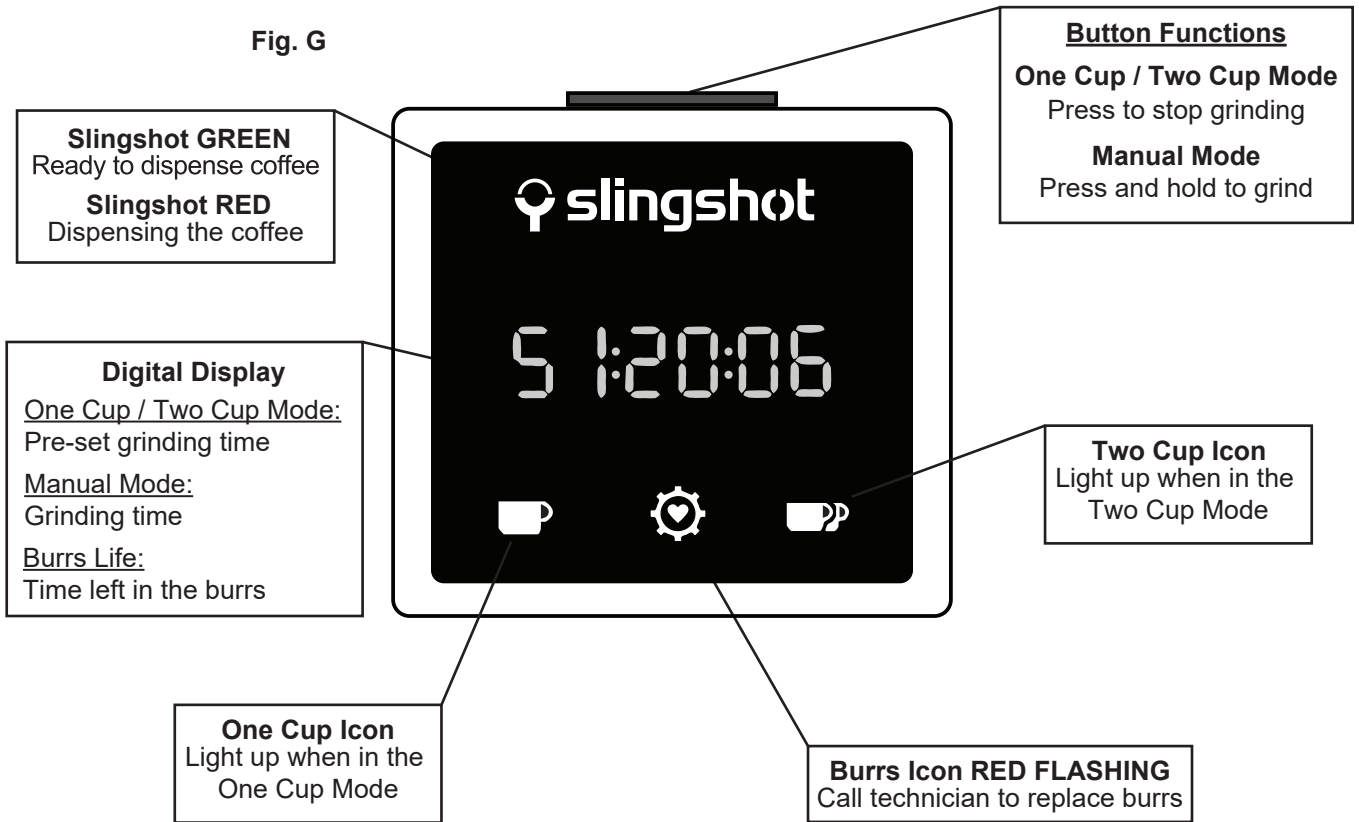


Fig. F

**USING THE GRINDER**

Before you start using the grinder, It is important to understand the information displayed: Fig. G shows all the available information displayed, and the functionality of the press button.



**The Display will show the following at start:**

The One Cup and Two Cup Icons illuminate to indicate the total number of doses dispensed for each mode. Additionally, the Burr Life Icon illuminates and displays the remaining hours before the burrs need to be changed.

**READY TO START**

- 1) **Fill the Hopper** with fresh coffee beans.
- 2) **Open the Hopper Chute.**
- 3) **Turn the ON/OFF switch ON.** Switch will light up indicating Grinder is ready for use.

**NOTE: THE BURRS LIFE ICON WILL ONLY LIGHT UP WHEN THE BURRS NEED REPLACING.**



## JOYSTICK CONTROL

The Slingshot Talis features a joystick (Fig. H) that enables the user to switch between grinding modes and program the grinding time.

### One Cup Mode

Push the joystick to the left and the One Cup icon will light up. The pre-set grinding time for one cup will be displayed on the Digital screen.

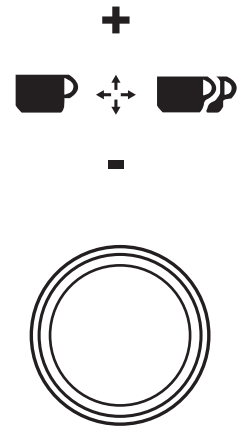
### Two Cup Mode

Push the joystick to the right and the Two Cup icon will light up. The pre-set grinding time for two cups will be displayed on the Digital screen.

### Setting Grinding Time

In either the One Cup or Two Cup mode, push the joystick up to increase the grinding time by 0.05 seconds, or push down to decrease it by 0.05 seconds.

Fig. H



## DISPENSING THE COFFEE IN THE PORTAFILTER

Insert the portafilter straight in between the portafilter fork. (Fig. I)

### One Cup / Two Cup Mode

Switch between modes by pushing the joystick to the left or right.

To begin grinding, securely place the portafilter onto the fork and start the grinder by pushing the portafilter towards the grinder (Fig. J).

The grinder will automatically stop once the countdown time has elapsed. If you need to stop grinding before the countdown has finished, press the Start/Stop button.

### Manual Mode

To start grinding in manual mode, long press the Start/Stop button. The grinding time will be displayed on the screen. Release the Start/Stop button to stop grinding.

Fig. I

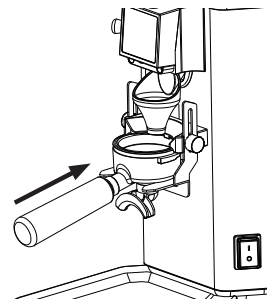
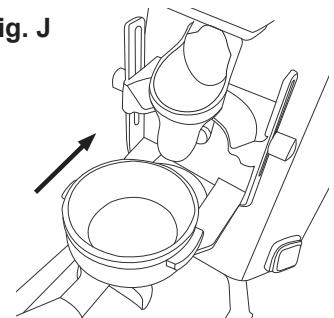


Fig. J



**NOTE:** To start the grinder in One Cup or Two Cup mode without using the portafilter hold down the Joystick in One or Two Cup Mode until the corresponding mode is activated.



## ADJUSTING THE GRIND

Talis can adjust coffee grinding size by two methods:

1. Use the Front Lever for large adjustment
2. Use the Grind Adjustment Dial for micro adjustment

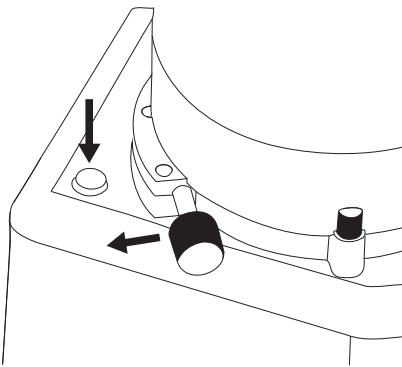
### Using the Front Lever for large grinding size adjustment

1. Press and hold the Adjustment Dial lock, and push the Grind Adjustment Dial out (Fig. K).  
The power will be cut off.
2. Move the front Lever to the desired setting (Fig. L).
3. After the adjustment, press and hold the Adjustment Dial lock and push the Grind Adjustment Dial back to its original position.

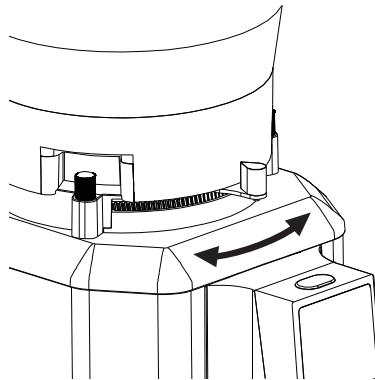
### Using the Grind Adjustment Dial for micro grinding size adjustment

Turn clockwise for finer grinding and counter-clockwise for coarser grinding when adjusting the grind size. (Fig M).

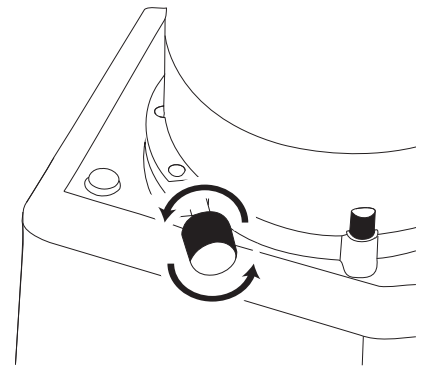
**Fig. K**



**Fig. L**



**Fig. M**



## BURR LIFE PROGRAMMING

Slingshot Talis keeps track of the total grinding time to help the barista monitor when the burrs need to be replaced. The user can set the maximum number of hours for grinding before replacing the burrs.

1. Turn the main power switch to the OFF position.
2. Press and hold the Start/Stop button, then turn the main power switch to the ON position.
3. The display will show "Hr 105", which indicates the hour setting (105 hours).
4. Use the joystick to increase or decrease the hour setting by pushing it up or down.
5. Press the joystick left or right to save the Burrs Life setting.

## RESET THE USAGE COUNTER

1. Turn the main power switch to the OFF position.
2. While holding the joystick, position it to the One Cup or Two Cup setting.
3. Turn the main power switch to the ON position, and the One Cup or Two Cup counter will be reset.

## THERMAL OVERLOAD PROTECTION

The appliance's motor is protected against overheating resulting from overload by a thermal overload protection which, when tripped, cuts off the power supply to the motor.

Should the protection trip as a result of anomalous operation, such as the grinding blades jamming, the appliance must be turned off using the on-off switch, UNPLUGGED FROM THE MAINS, AND SKILLED TECHNICAL PERSONNEL CONTACTED. NEVER PERFORM ANY WORK ON THE APPLIANCE WHILE IT IS ATTACHED TO THE MAINS, TO AVOID THE RISK THAT MOTOR TURNS ON SUDDENLY.



If the appliance overheats as a result of the motor stopping, allow the appliance to cool down before performing any repair work.

## WARNINGS REGARDING SAFETY

This electrical appliance must be used in conformity with the rules in force governing safe operation.

When operating the appliance, beware of the moving mechanical parts' in the area of the grinding blades and of the ground coffee outlet.

Before removing the hopper from the grinding system, disconnect the power supply.

Avoid removing foreign bodies from the grinding system or hopper without first unplugging the appliance from the mains.

The user is not authorised to remove screws or any parts screwed onto the coffee grinder.

In the event the appliance is not working properly or is faulty, contact skilled technical personnel, and do not attempt to make repairs yourself.

Before performing any work on the appliance, including cleaning and/or maintenance, disconnect it from the power supply by unplugging. Turning off the grinder using its master switch does not assure the same conditions of safety.



The operator must be aware of the sharpness of the blades-burrs and care is needed when handling cutting blades-burrs during cleaning.

Take care, as the grinding blades may continue rotating for a short while even after the appliance is switched off.

When the appliance is not in use, the appliance's power supply must be disconnected using its main switch.

Do not let liquids of any kind come into contact with the internal or external parts of the appliance.

Never put ground coffee in the hopper. Intended only for coffee beans.

The manufacturer cannot be held responsible for bodily injury or damage to property if these regulations are not complied with.

**CLEANING THE GRINDER**

**Important Safety Notice:** Before cleaning, it is mandatory to disconnect the appliance from its power source by unplugging it.



When cleaning, only use clean cloths or brushes. Do not use any harsh or abrasive cleaning materials.

**CLEANING THE COFFEE BEANS HOPPER**

To clean the coffee bean hopper, follow these steps:

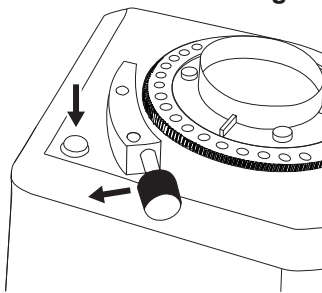
1. Remove the hopper from the grinder.
2. Wash the hopper using neutral soap and water.
3. Rinse the hopper thoroughly with lukewarm water.
4. Dry the hopper thoroughly before reassembling.

NOTE: It is recommended to clean the hopper periodically to maintain its hygiene and performance

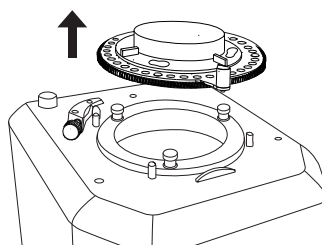
**CLEANING THE COFFEE GRINDING CHAMBER & OUTLET**

1. Remove the coffee bean hopper from the grinder.
2. Press and hold the adjustment dial lock, then push the grind adjustment dial out.(Fig. N)
3. Lift the grinding adjustment front lever to remove it.(Fig. O)
4. Clean the silicone anti-clumping tongue by inserting the brush into the outlet and pushing it through until it exits from the front. Move the brush around to remove any trapped coffee grounds.(Fig. P)
5. Use an Allen Key to remove the top burr holders.(Fig. Q)
6. Brush off any coffee grounds buildup on the burr holders, burrs, and grinding chamber.(Fig. R)
7. Remove the funnel from the grinder. Insert the large brush into the funnel housing to clean and remove any trapped coffee grounds.(Fig. S)

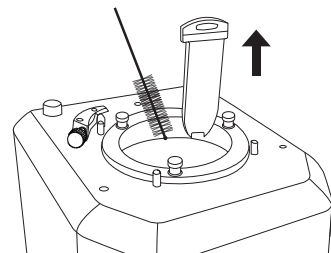
**Fig. N**



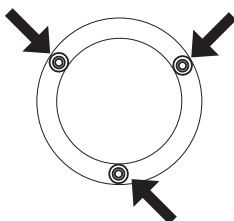
**Fig. O**



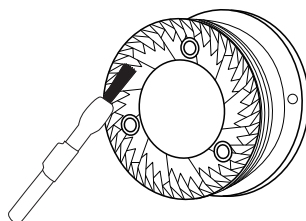
**Fig. P**



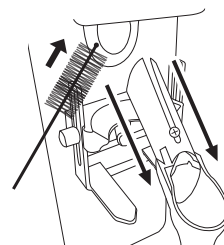
**Fig. Q**



**Fig. R**



**Fig. S**





#### **ASIA**

Slingshot Technology Corporation Ltd  
7/F Meyer Industrial Building  
2 Chong Yip Street, Kowloon. HK  
+852 23438211

#### **AUSTRALIA & NZ**

Slingshot Technology Pty Ltd  
2/19 Rudloc Rd  
Morley WA 6062  
+61 1300 066 992

#### **EUROPE**

Slingshot Europe  
Via Industriale, 1  
24040 Chignolo D'isola BG, Italy  
+39 035 494 9555