

# STAR WARS™

## STORMTROOPER Armor Kit

### ASSEMBLY INSTRUCTIONS



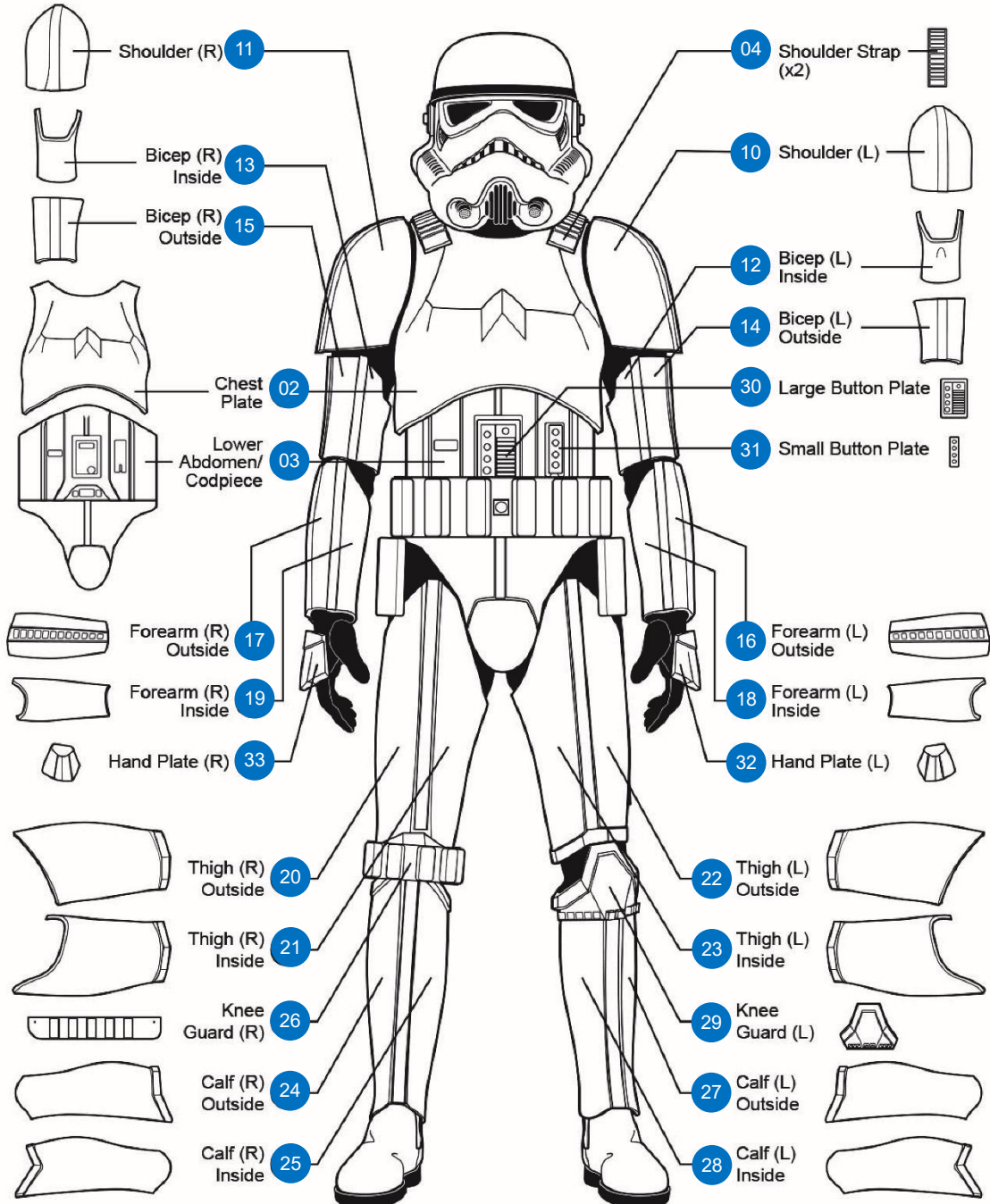
02-17-2024-v1

© & TM Lucasfilm Ltd.

## PARTS LIST

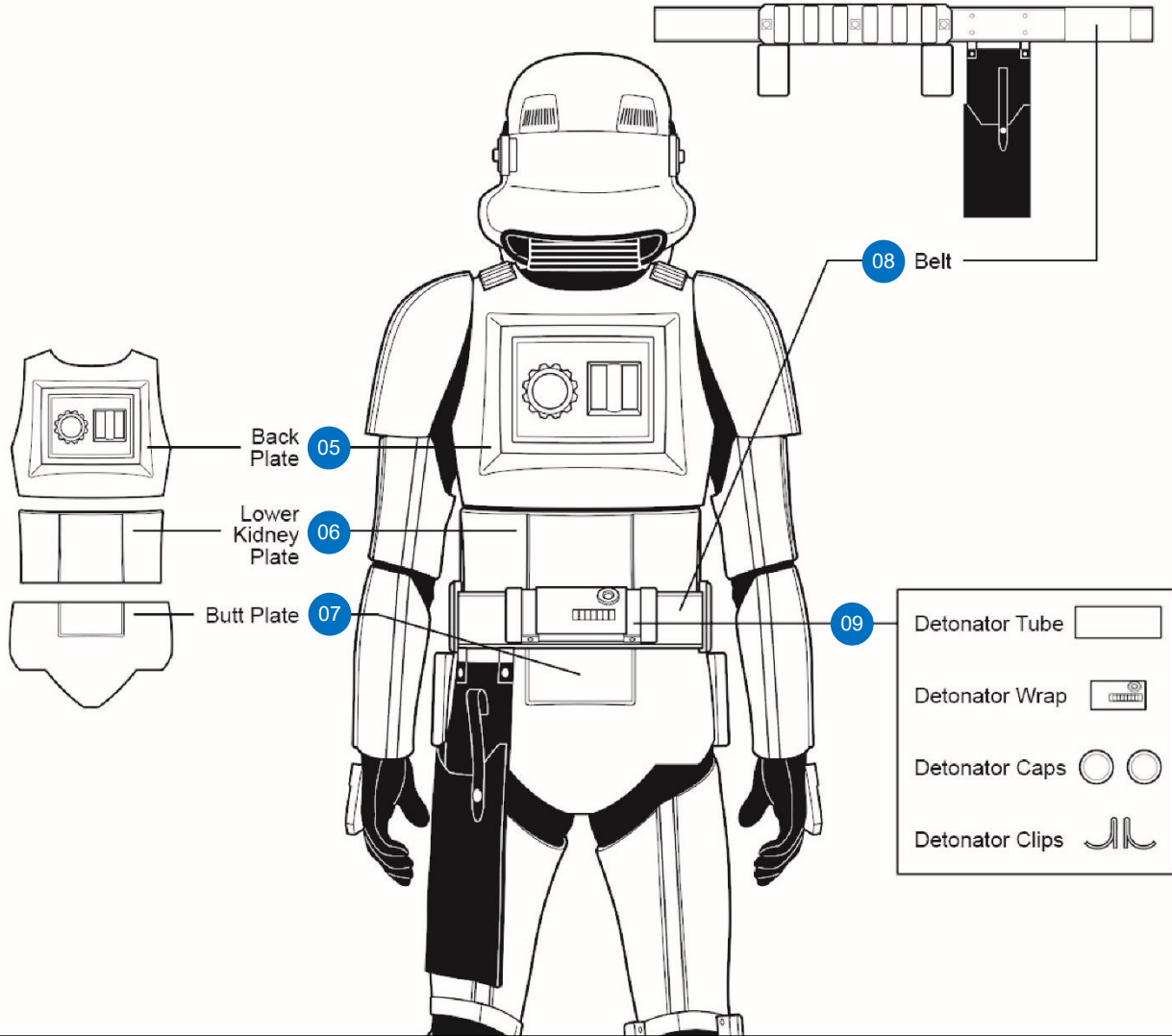
28 of 33 Parts

2-4,10-33



## PARTS LIST

5 of 33 Parts  
(4-9)

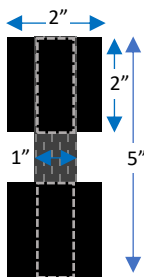
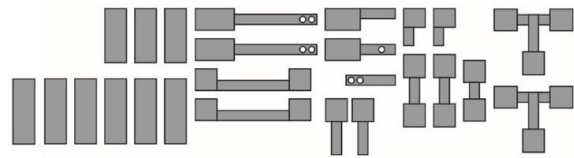


### Plastic Strips - 18 Parts (36-42)

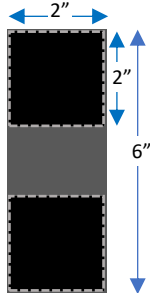
- |  |  |   |
|--|--|---|
| <ul style="list-style-type: none"> <li>36</li> <li>37</li> <li>38</li> <li>39</li> <li>40</li> <li>41</li> <li>42</li> </ul> |  | <ul style="list-style-type: none"> <li>Part #36 Thigh Front – QTY 2</li> <li>Part #37 Thigh Back – QTY 2</li> <li>Part #38 Shin Front – QTY 2</li> <li>Part #39 - Shin Back – QTY 2</li> <li>Part #40 – Forearm – QTY 4</li> <li>Part #41 – Bicep – QTY 4</li> <li>Part #42 - Shoulder Strap Reinforcement – QTY 2</li> </ul> |
|--|--|---|

## Strapping System

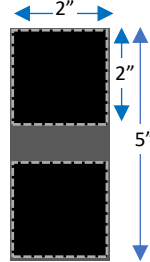
25 Pieces



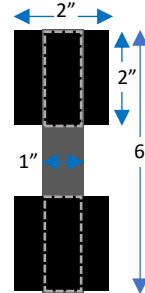
**Qty 1**  
1" x 6" Webbing  
2" x 2" Hook



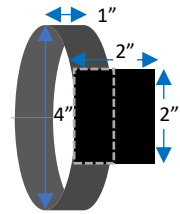
**Qty 6**  
2" x 6" Elastic  
2" x 2" Hook



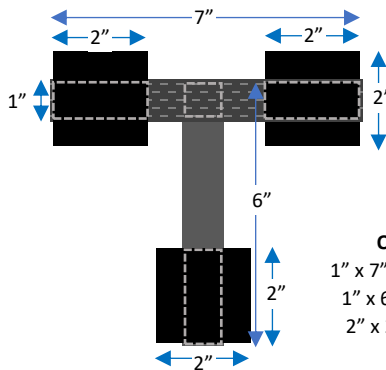
**Qty 3**  
2" x 5" Elastic  
2" x 2" Hook



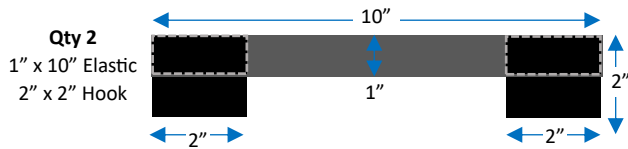
**Qty 2**  
1" x 6" Elastic  
2" x 2" Hook



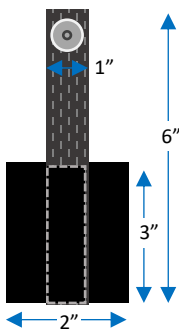
**Qty 2**  
1" x 8" Elastic Loop  
2" x 2" Hook



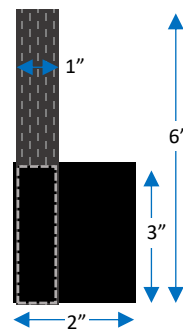
**Qty 2**  
1" x 7" Webbing  
1" x 6" Elastic  
2" x 2" Hook



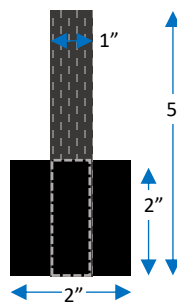
**Qty 2**  
1" x 10" Elastic  
2" x 2" Hook



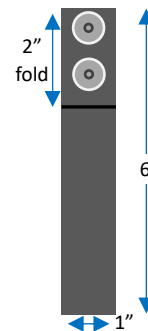
**Qty 1**  
1" x 16" Webbing  
2" x 3" Hook  
Qty 1 Female Snap.



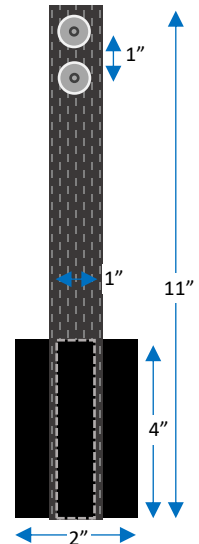
**Qty 1**  
1" x 16" Webbing  
2" x 3" Hook  
**On Part #06**



**Qty 2**  
1" x 5" Webbing  
2" x 2" Hook  
**On Part #06.**

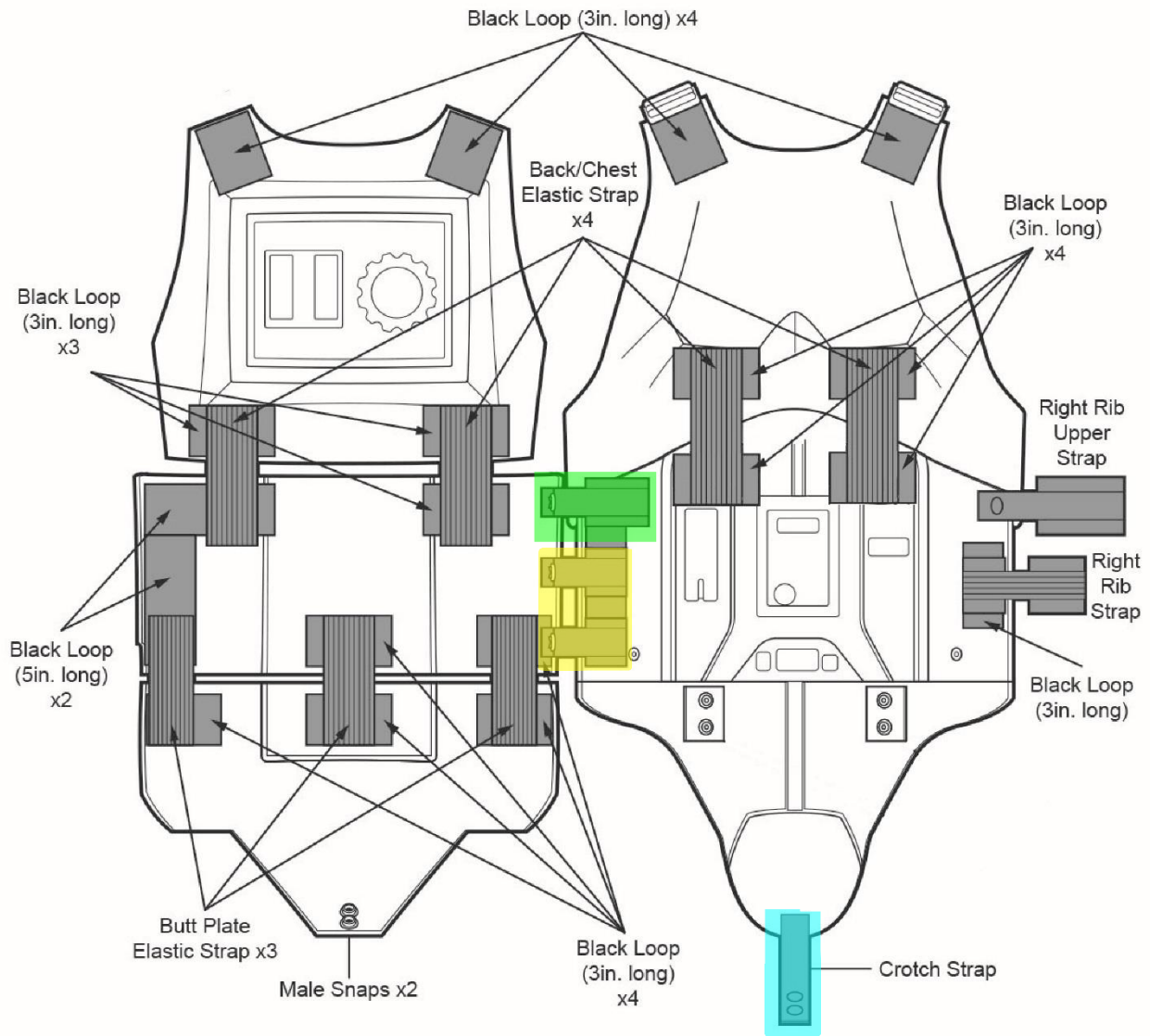


**Qty 1**  
1" x 6" Elastic  
Qty 2 Female Snaps  
**On Part #05**

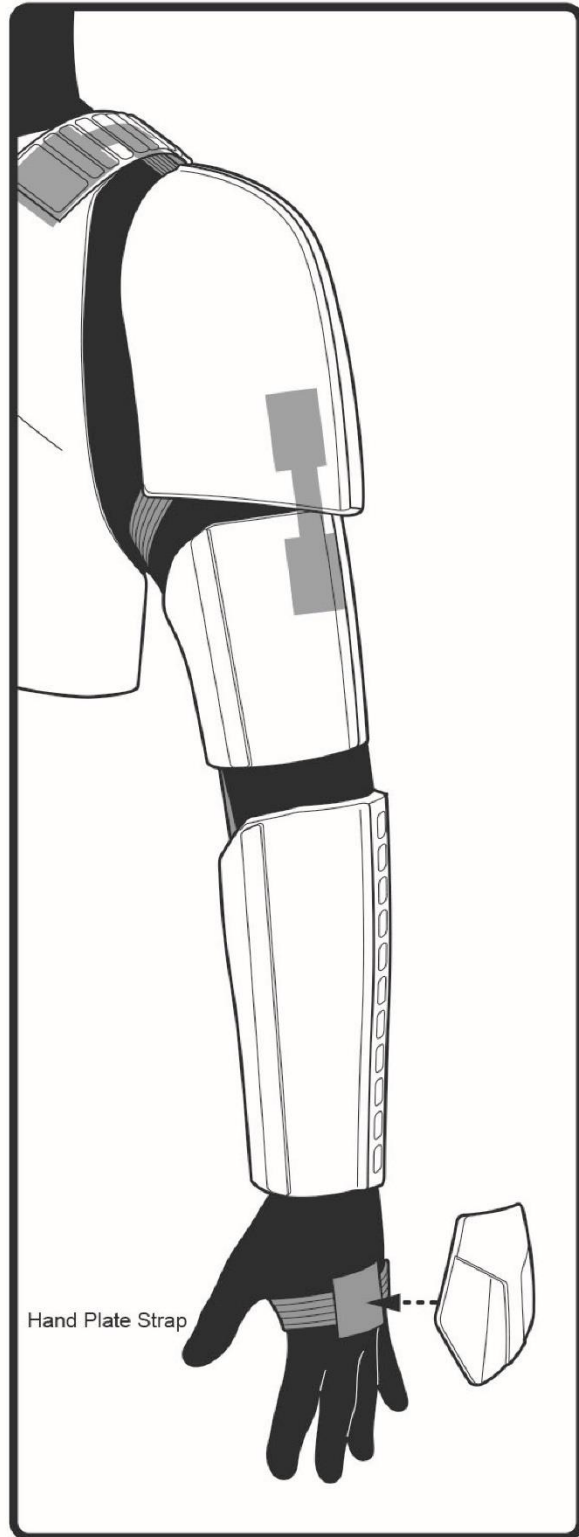
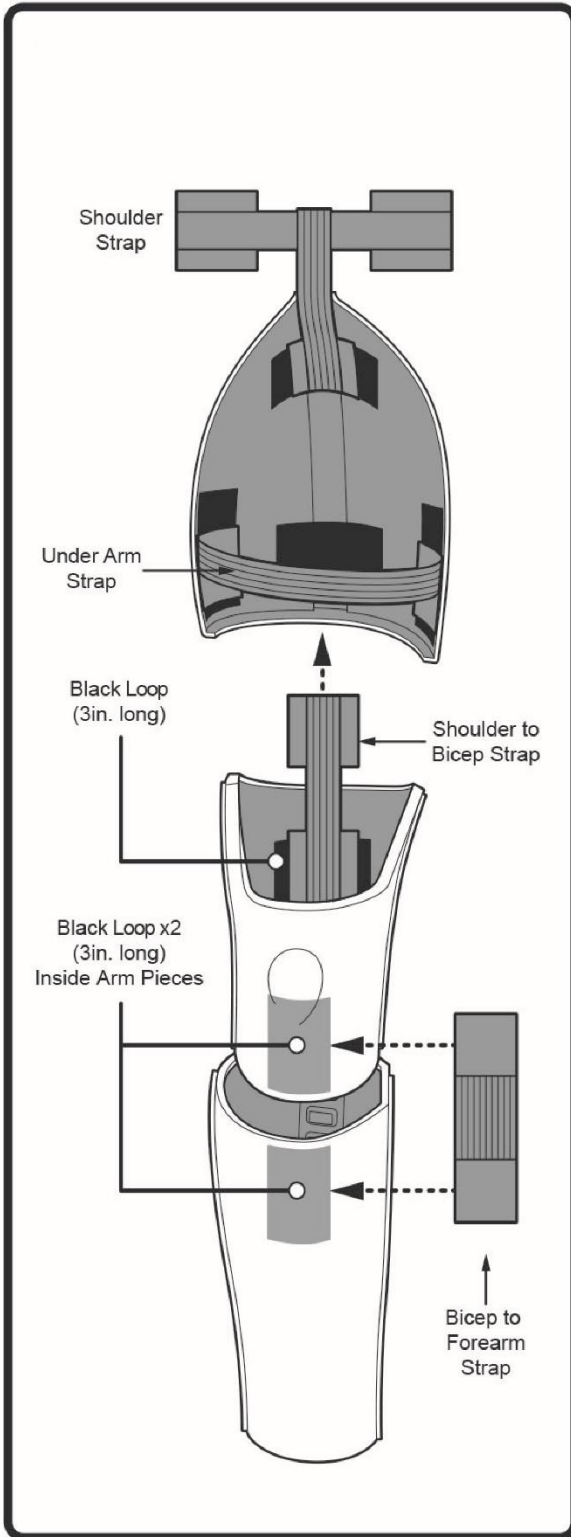


**Qty 2**  
1" x 11" Webbing  
2" x 4" Hook  
Qty 2 Female Snaps.

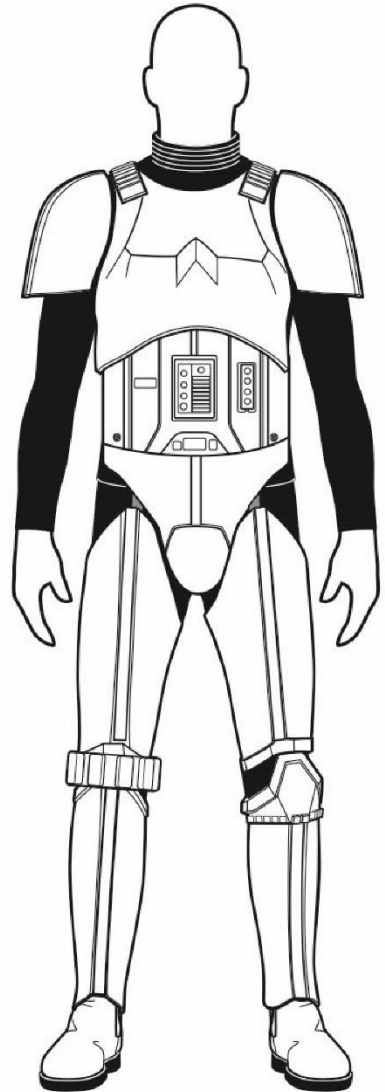
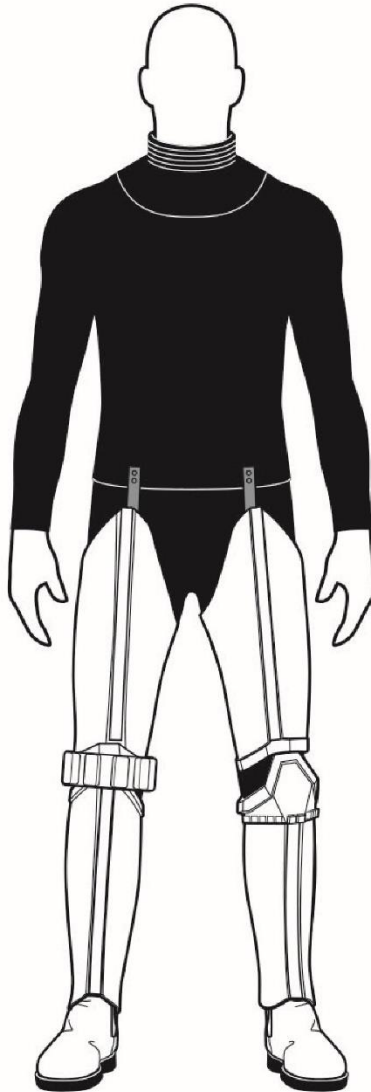
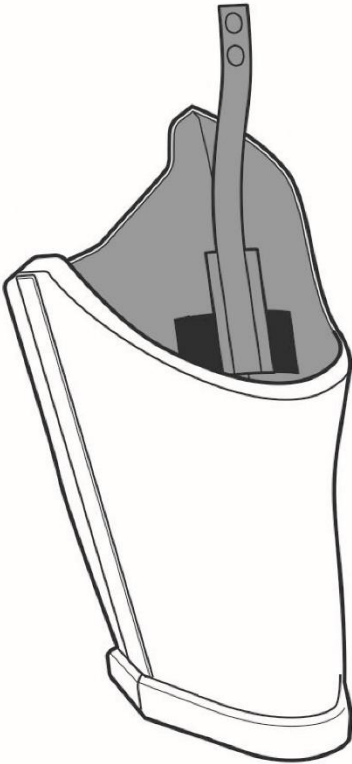
## Strapping System Location



## Strapping System Location



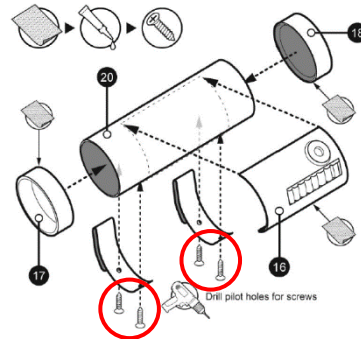
## Strapping System Location



## Hardware

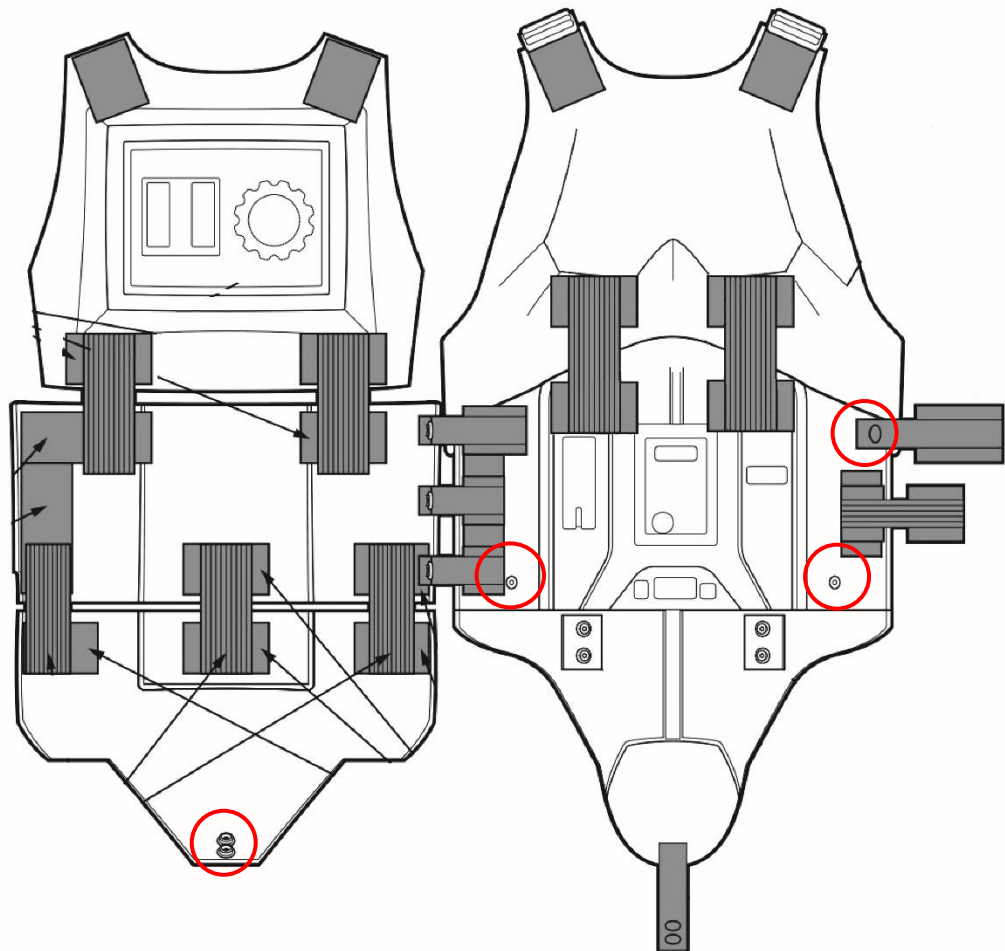
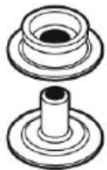
### QTY (5) Wood Screw

- 4 - Used on Detonator
- 1 - spare.



### QTY (6) Snap Assembly (Male)

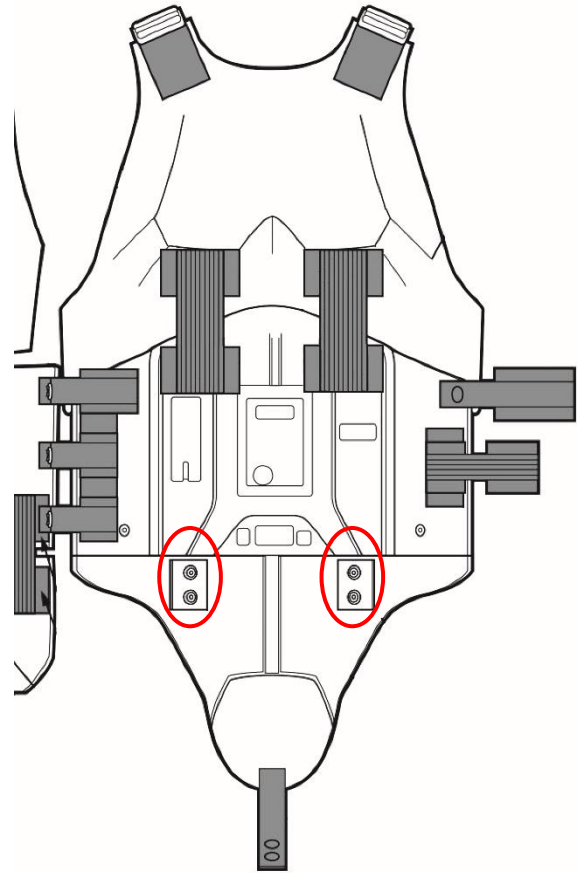
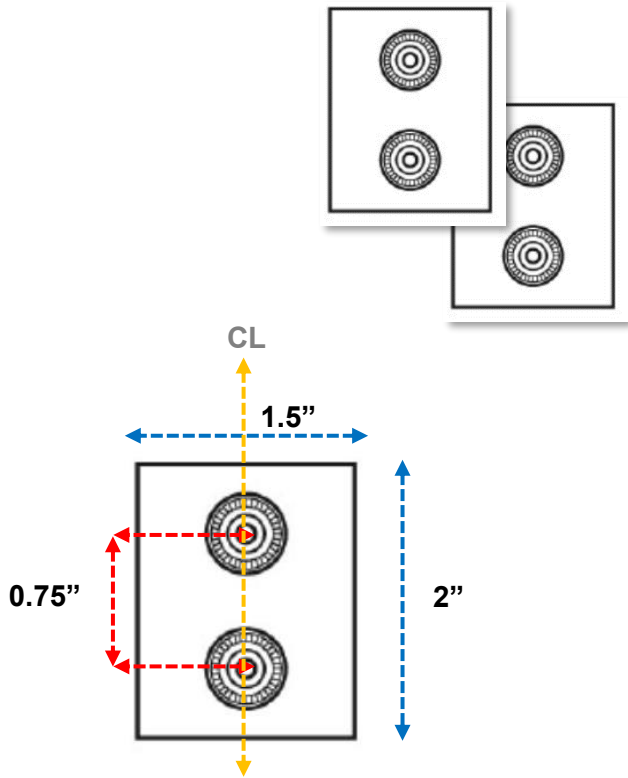
- 2 - Used on Ab to Hold belt
- 1 - Used on Ab for Side Strap
- 2 - Used on Butt Plate.
- 1 - Spare.





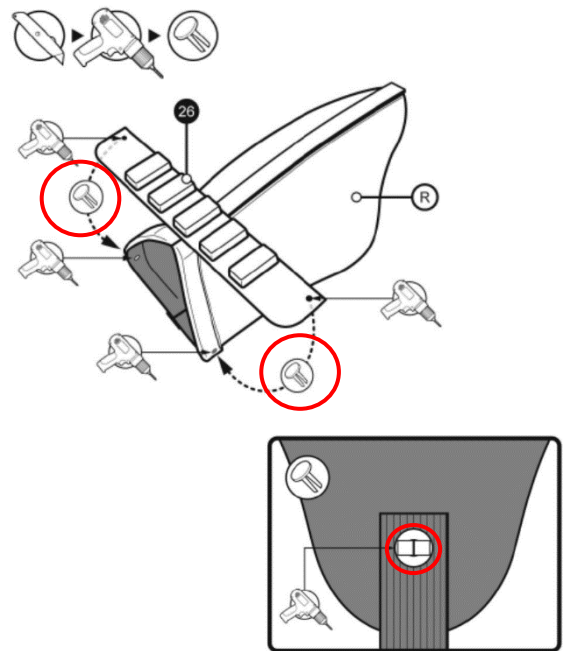
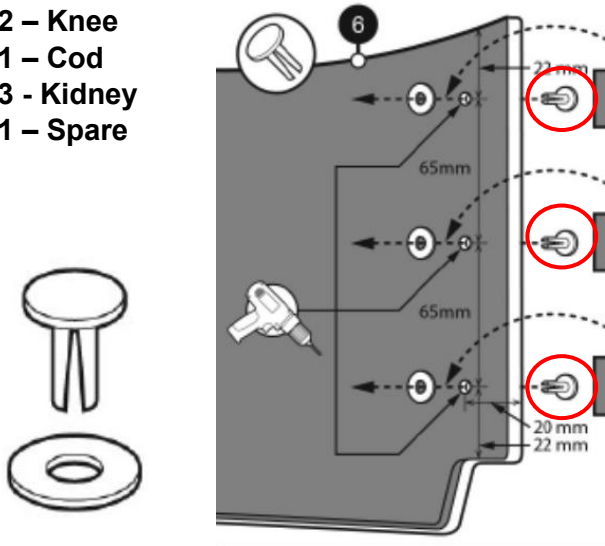
## Hardware

QTY (4) Snap Assembly (Male)  
 QTY (2) ABS Plastic



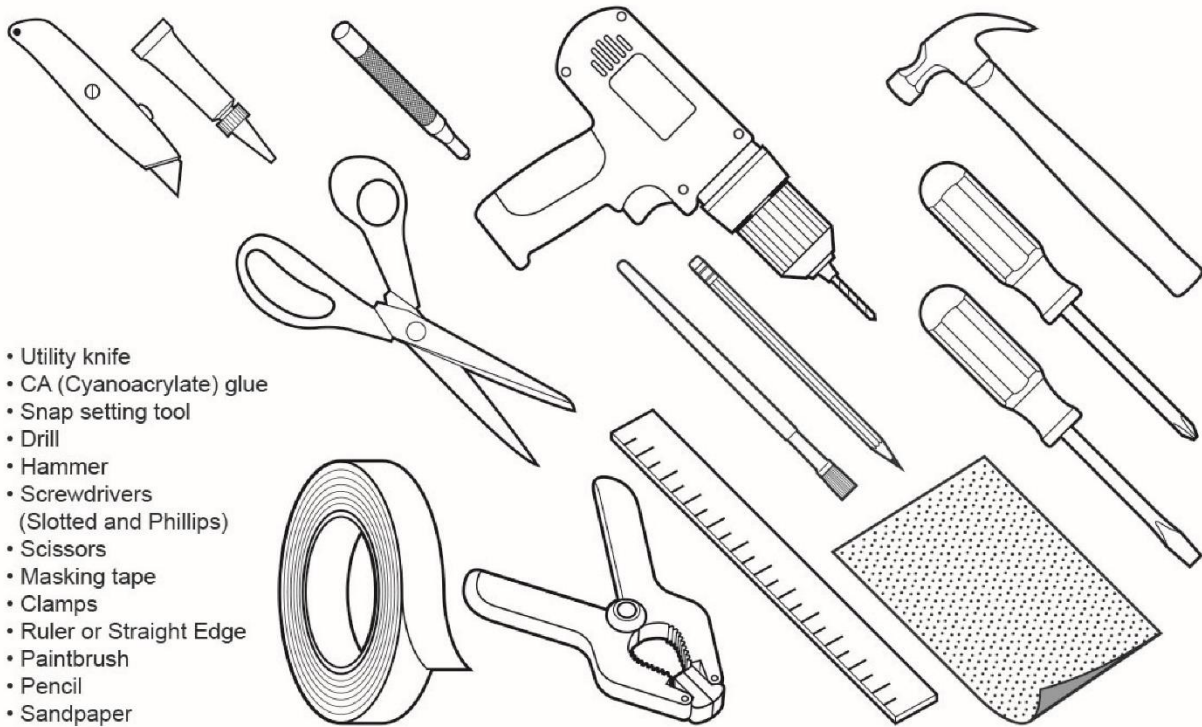
QTY (7) Split Rivets & Washers

- 2 - Knee
- 1 - Cod
- 3 - Kidney
- 1 - Spare



# STAR WARS™

## TOOLS NEEDED



- Utility knife
- CA (Cyanoacrylate) glue
- Snap setting tool
- Drill
- Hammer
- Screwdrivers (Slotted and Phillips)
- Scissors
- Masking tape
- Clamps
- Ruler or Straight Edge
- Paintbrush
- Pencil
- Sandpaper

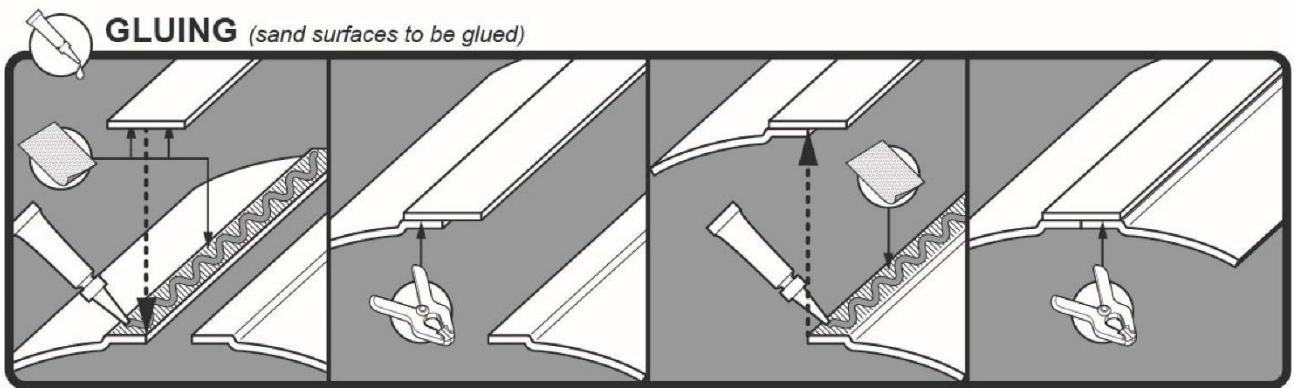
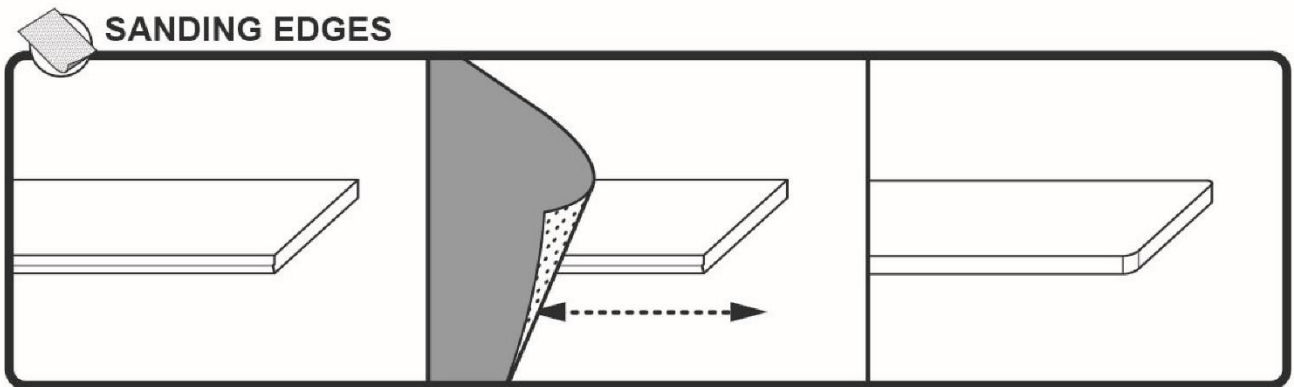
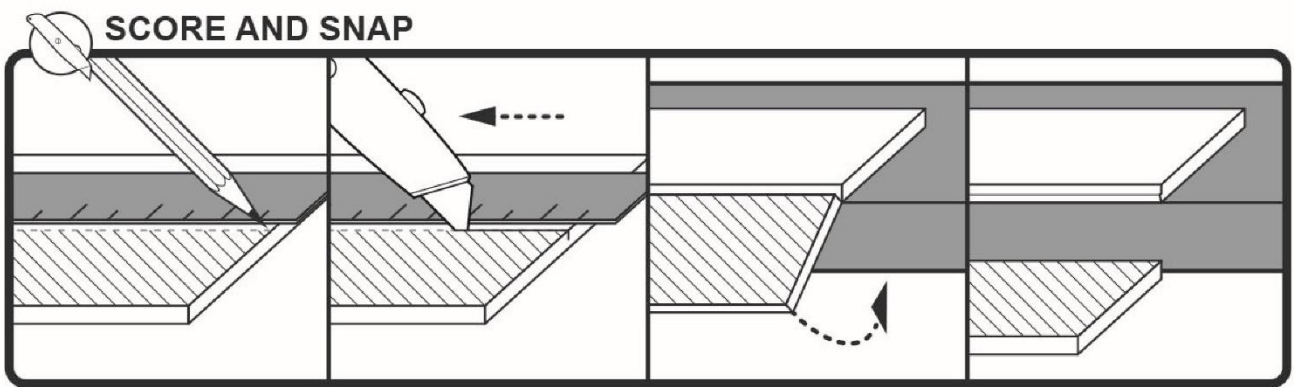
## SAFETY



- Use caution when handling sharp instruments and tools.
- Wear safety glasses, dust mask and work gloves during assembly to prevent injury.
- Stay in well ventilated area when using any glue or paint.
- Keep small children away from poly-bags and all tools.

# STAR WARS™

## COMMON TECHNIQUES

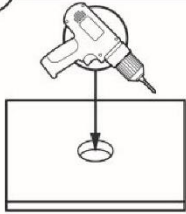


# STAR WARS™

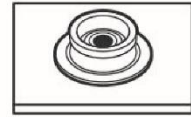
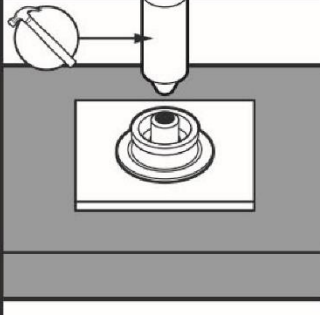
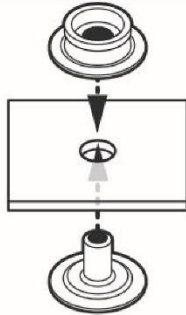
## COMMON TECHNIQUES



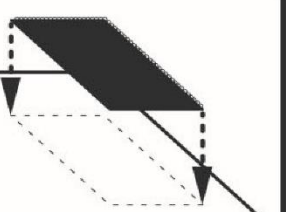
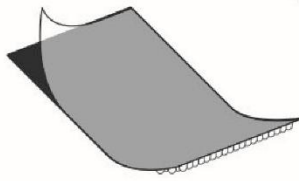
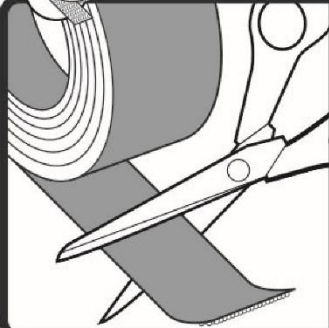
### MALE SNAPS *(be sure to follow instructions included with your specific snap tool)*



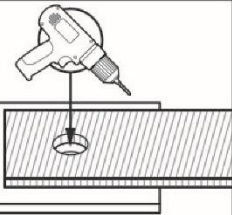
Drill 3/16in. (4mm) hole



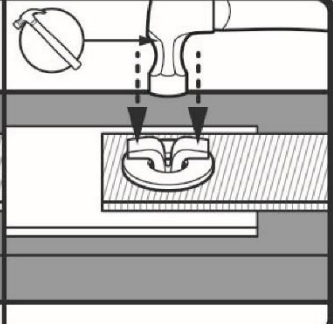
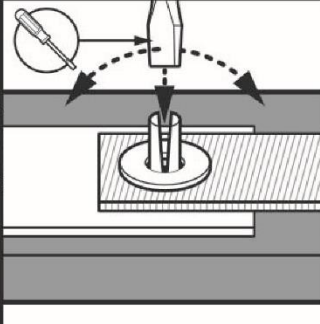
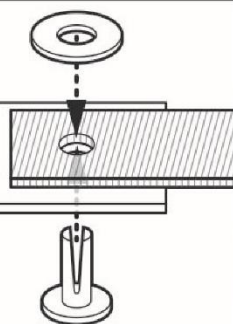
### HOOK and LOOP *(be sure to clean the surface before applying adhesive Hook and Loop)*



### SPLIT RIVETS



Drill 5/32in. (3.5mm) hole

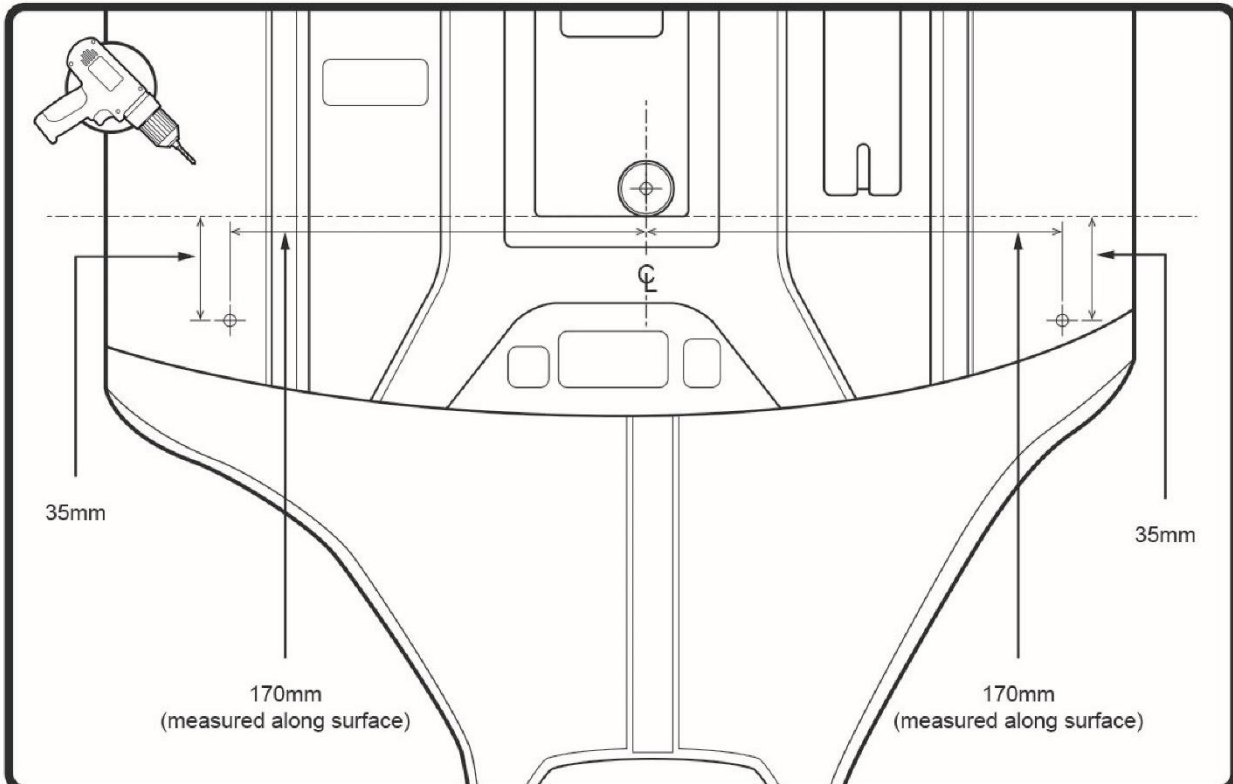
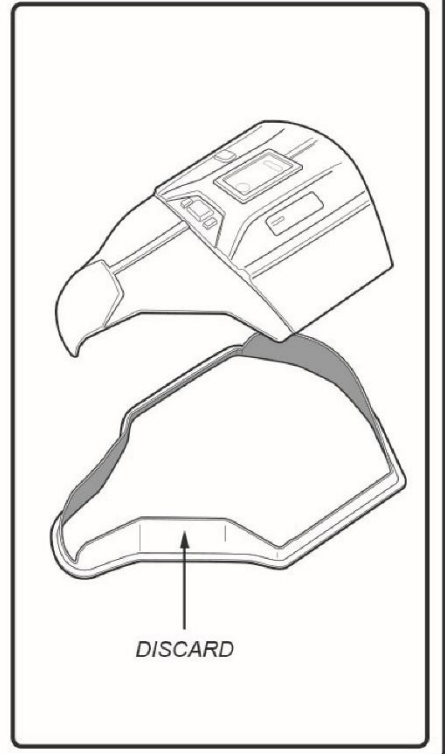
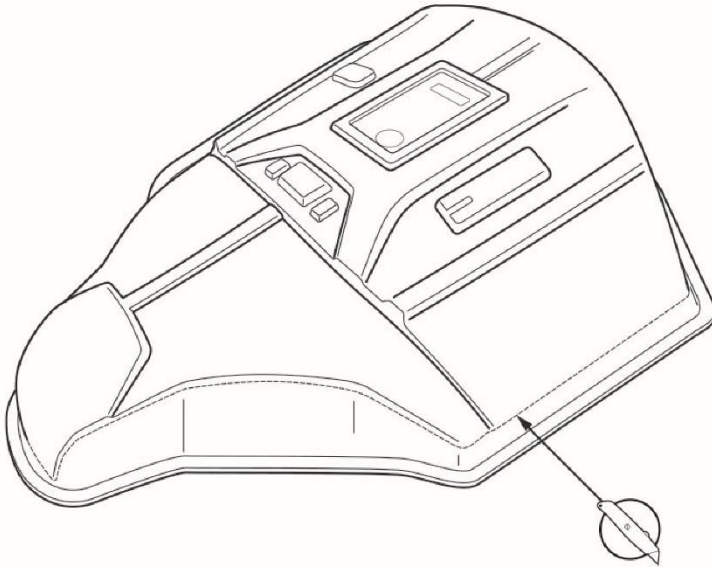


# STAR WARS™

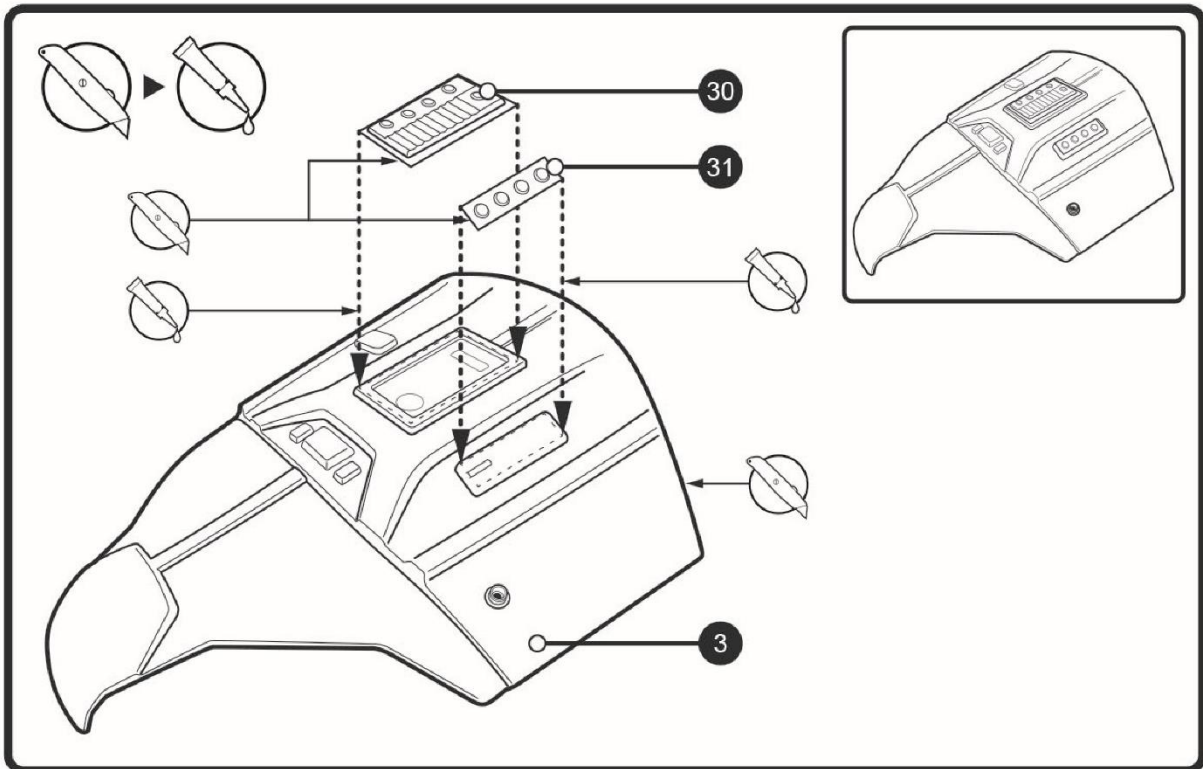
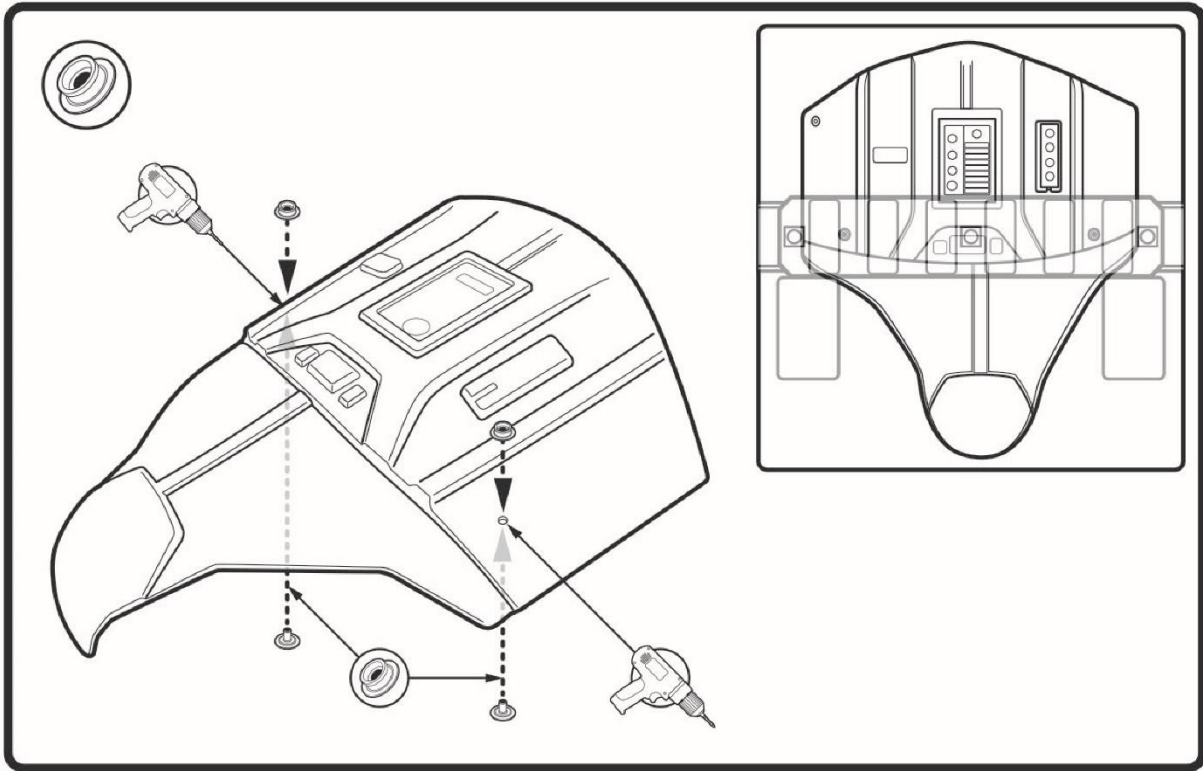


## TRIMMING PARTS

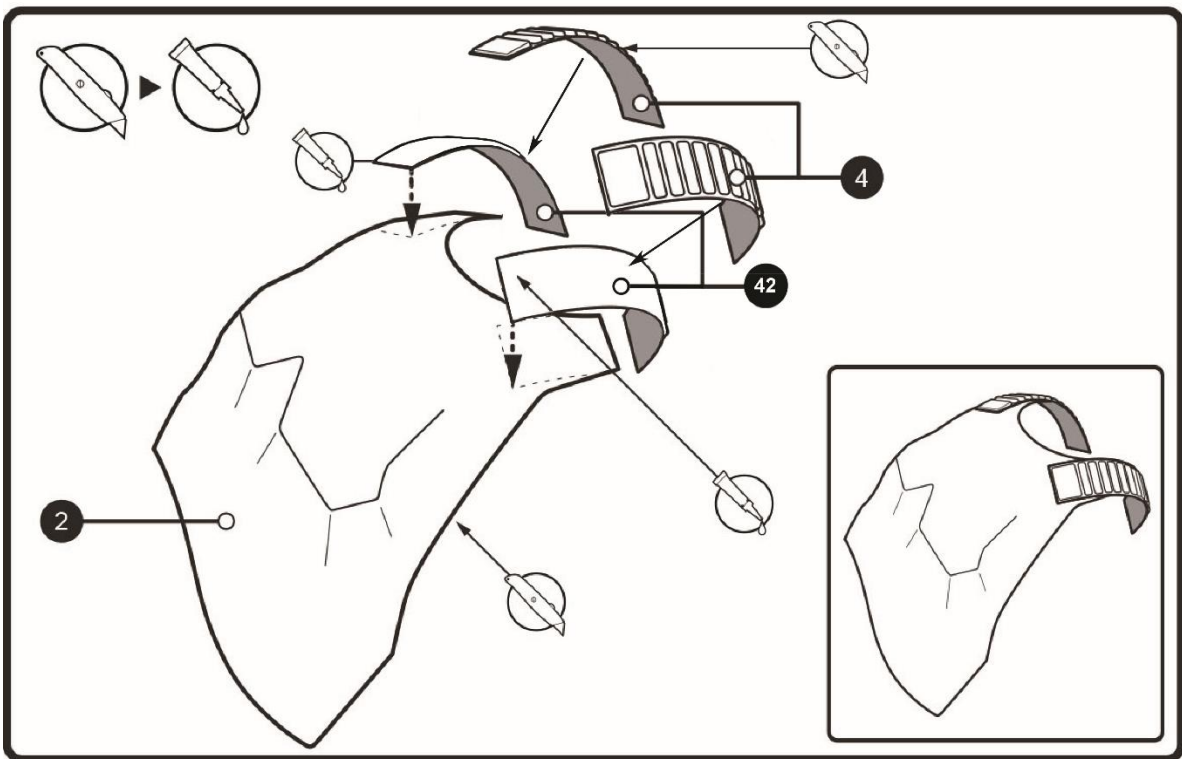
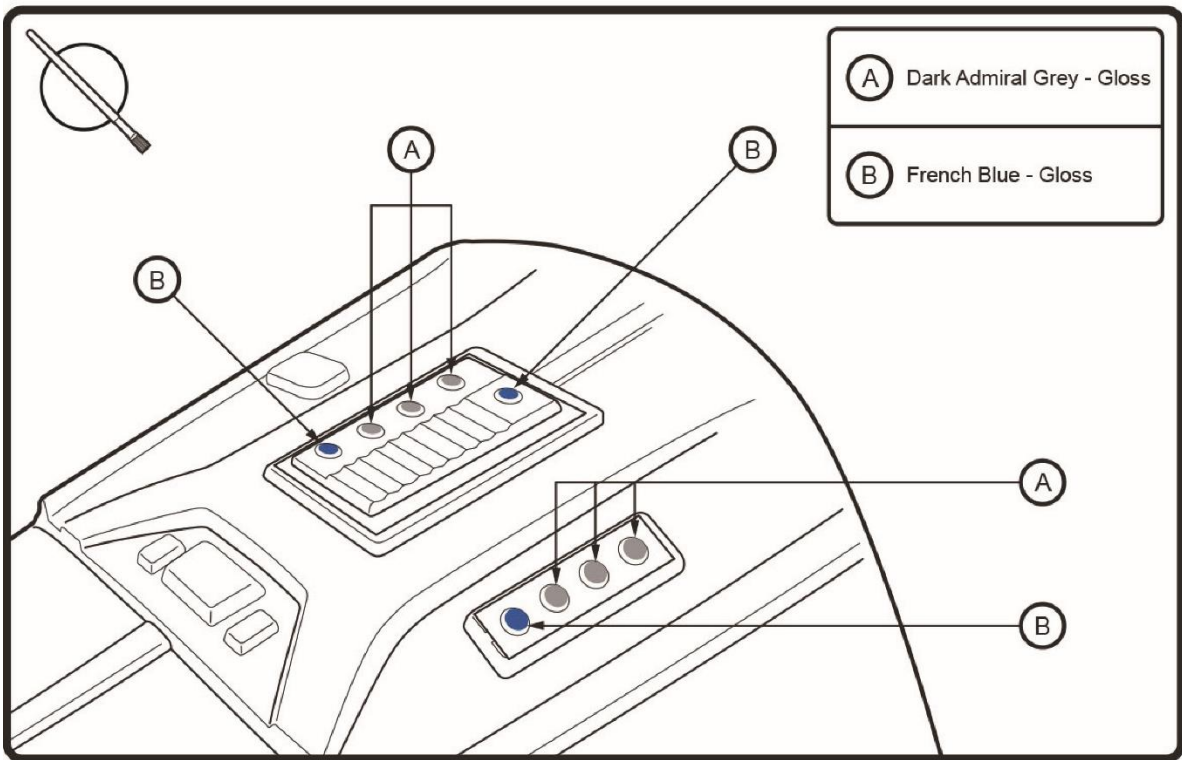
(Locate and mark cut line with pencil before scoring, then cut along molded trim line on ALL untrimmed parts)



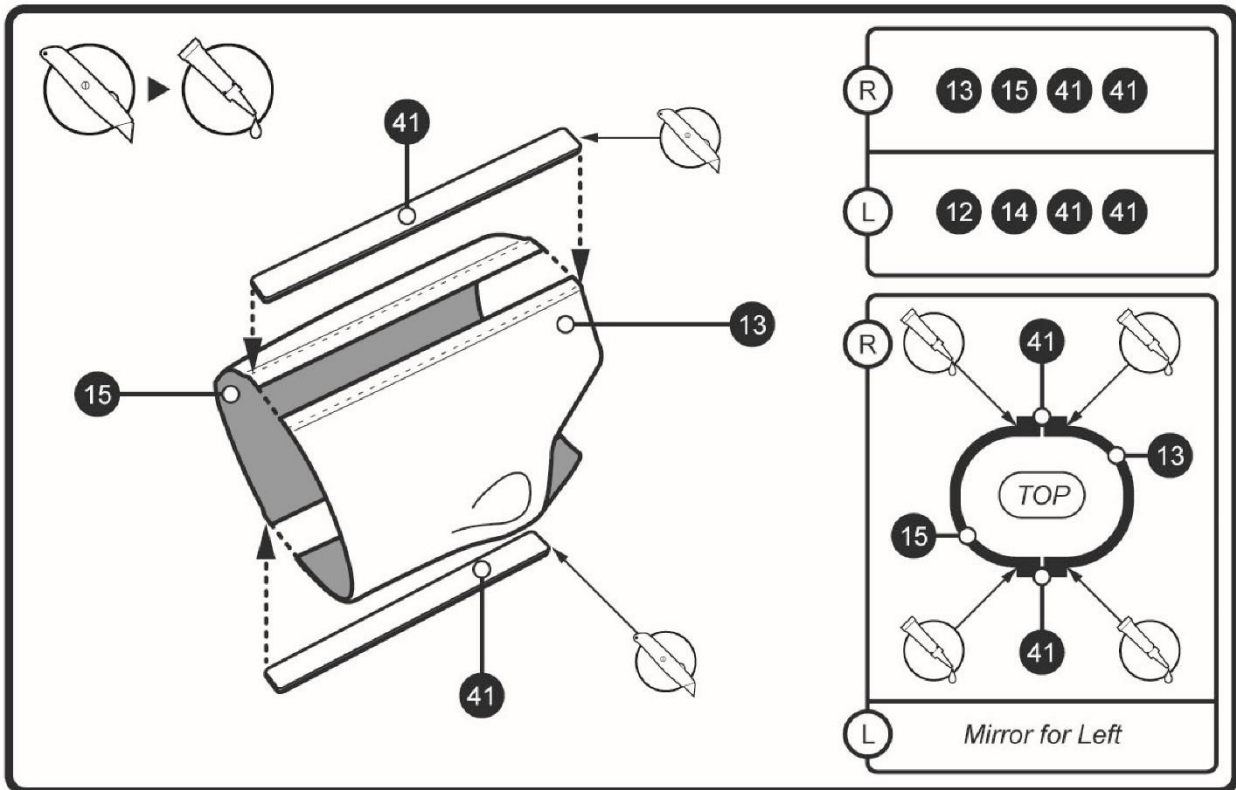
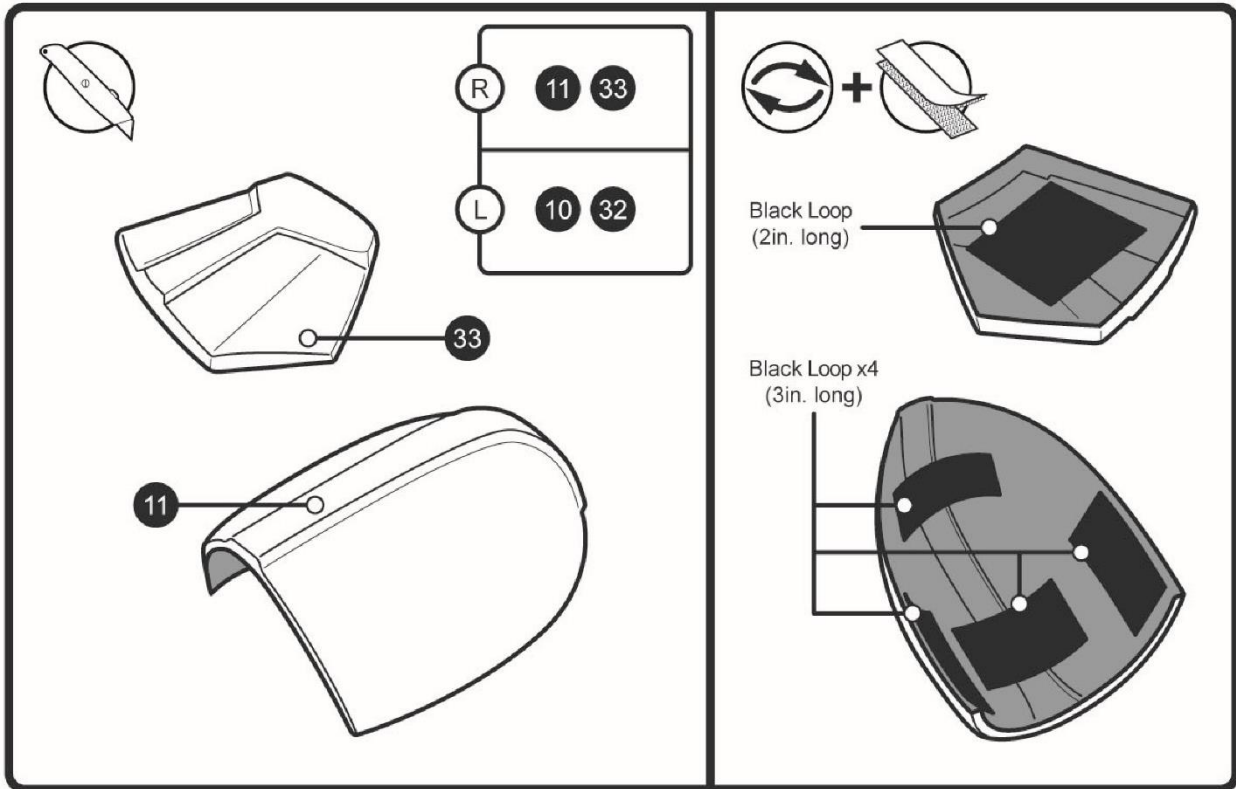
# STAR WARS™



# STAR WARS™

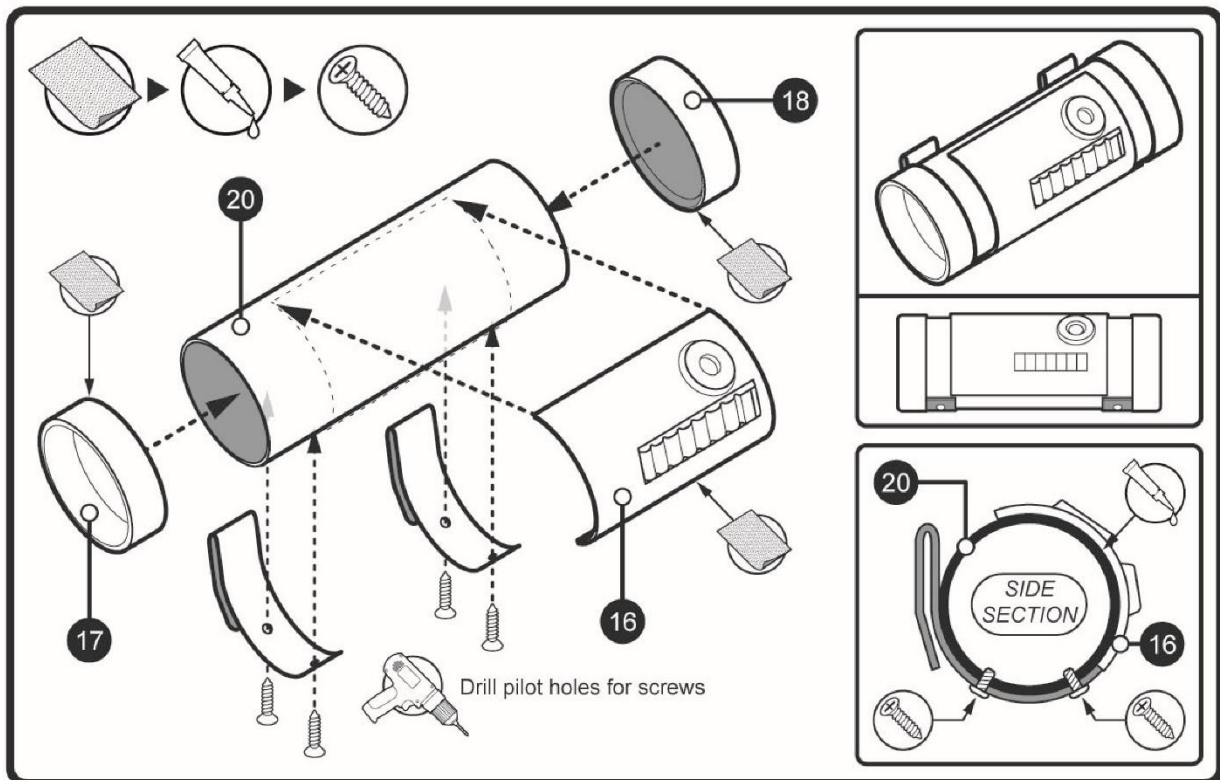
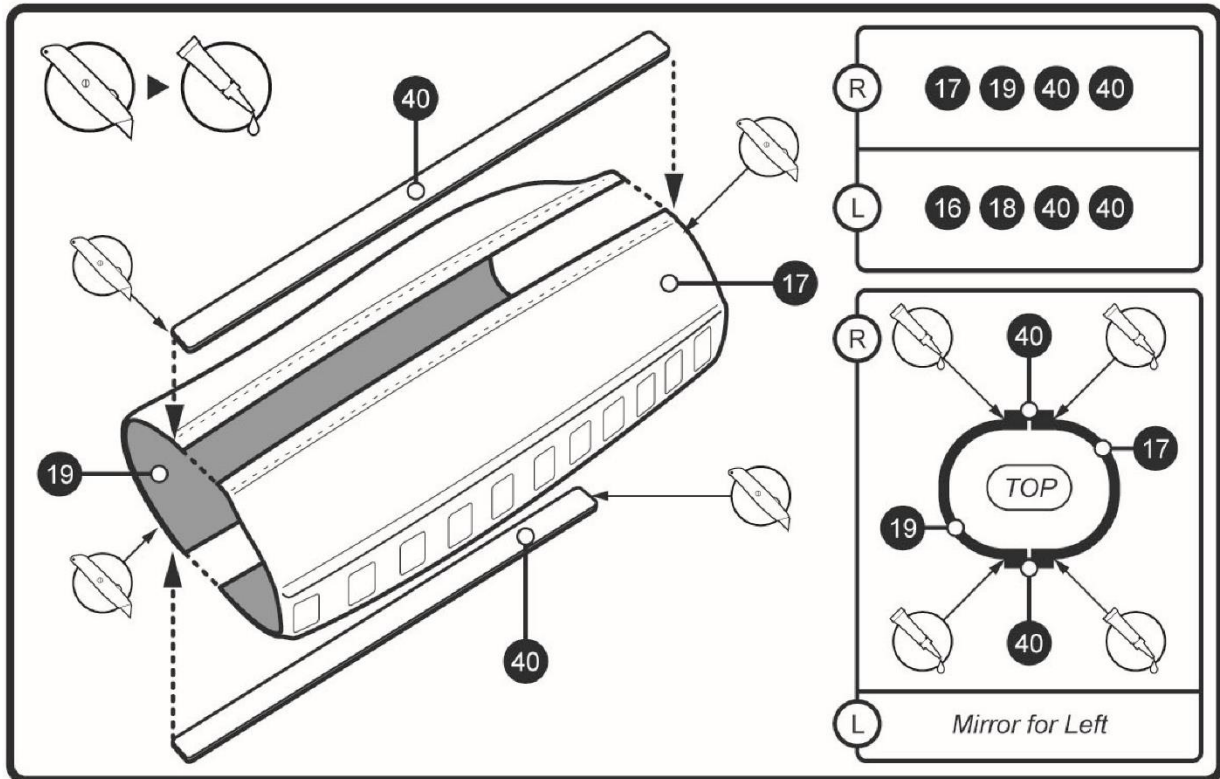


# STAR WARS™

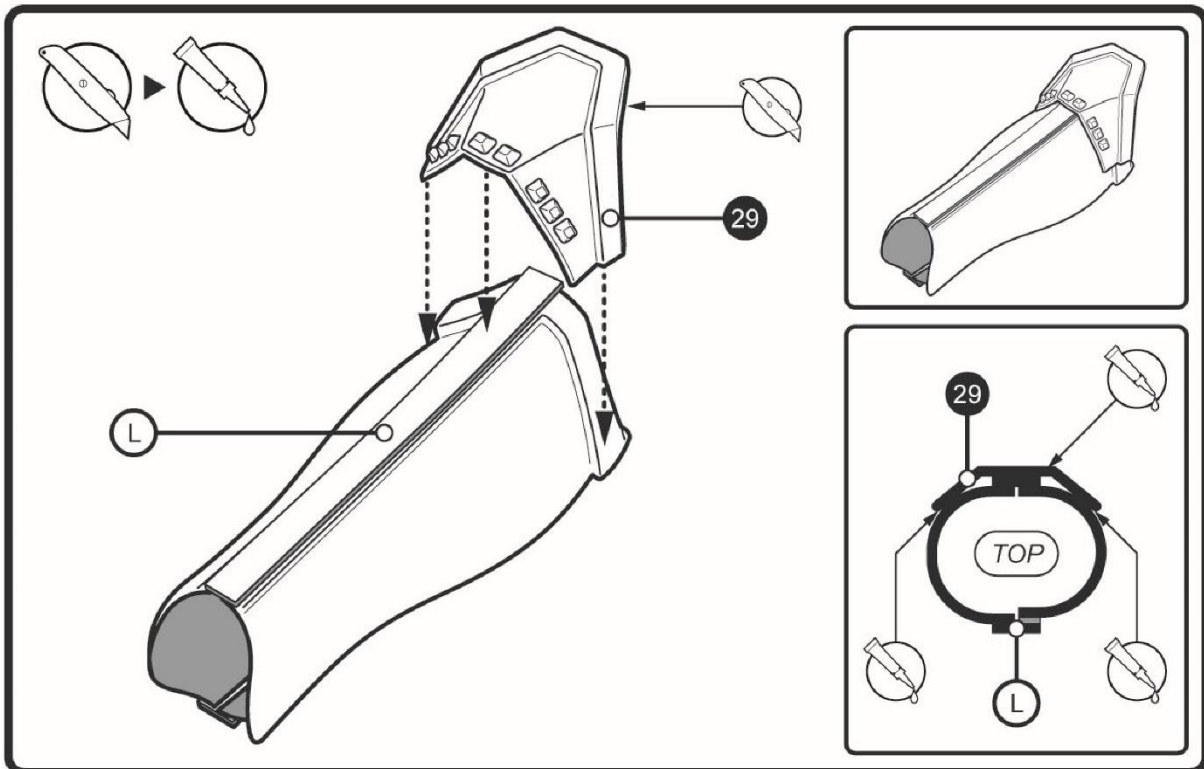
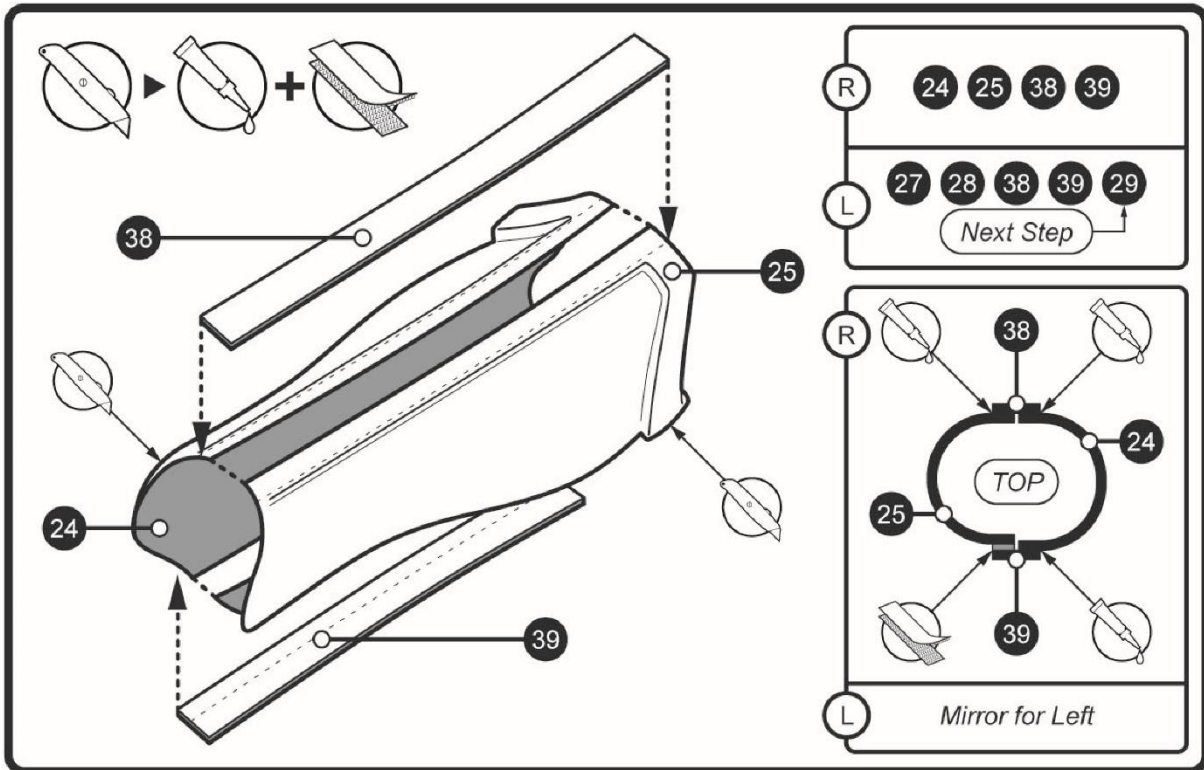




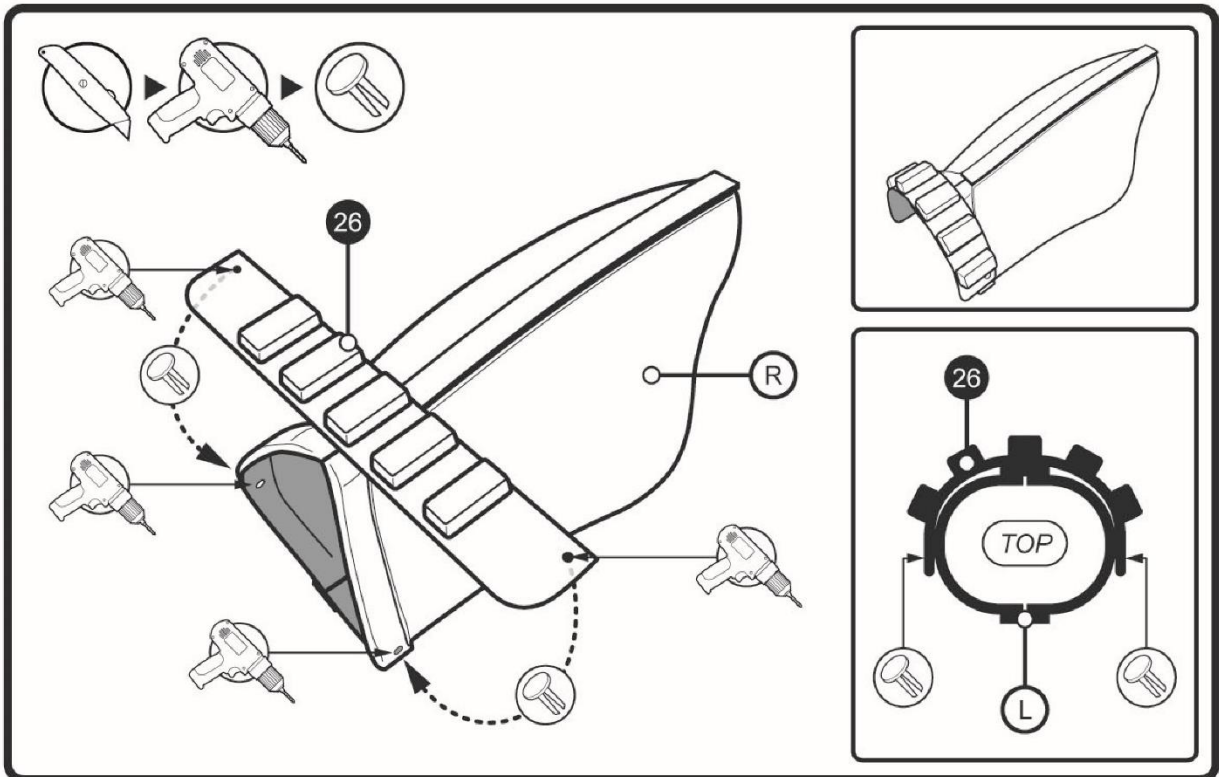
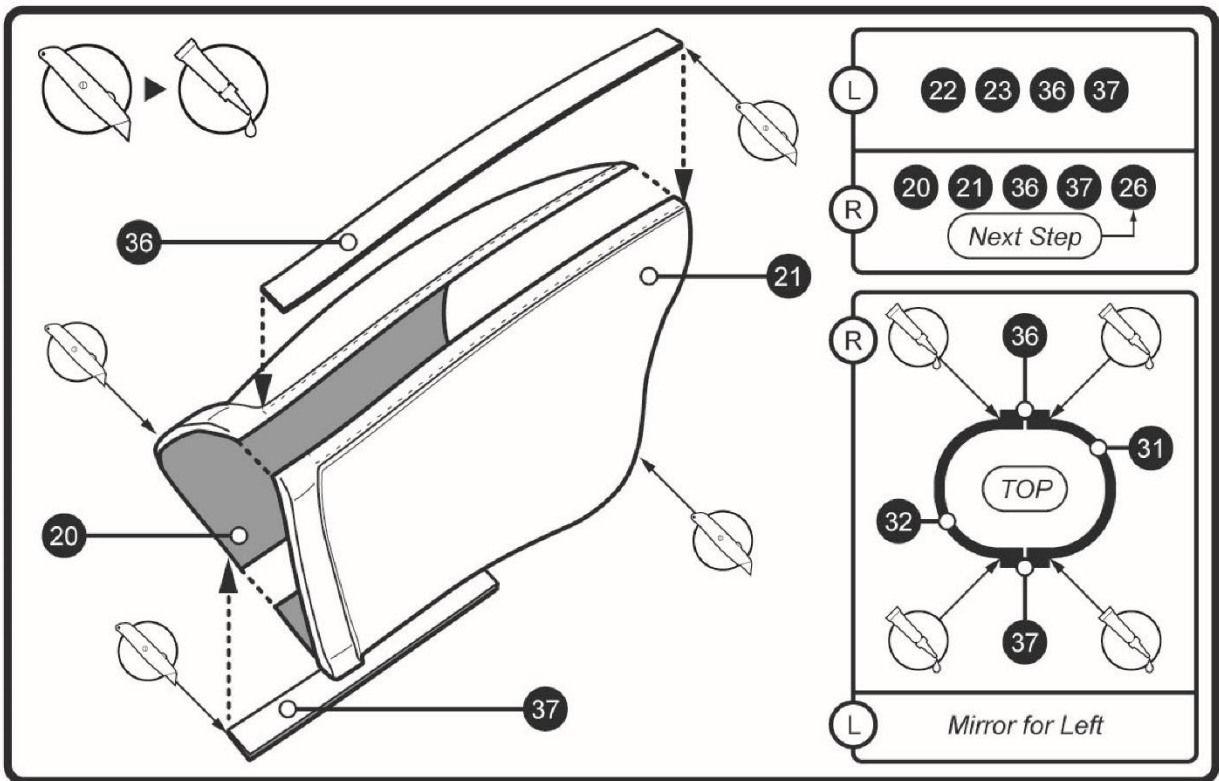
# STAR WARS™



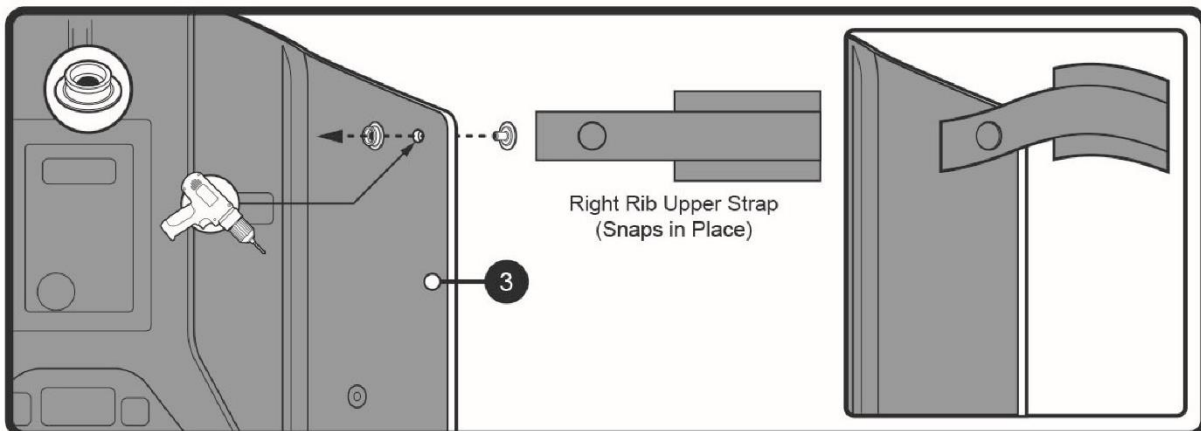
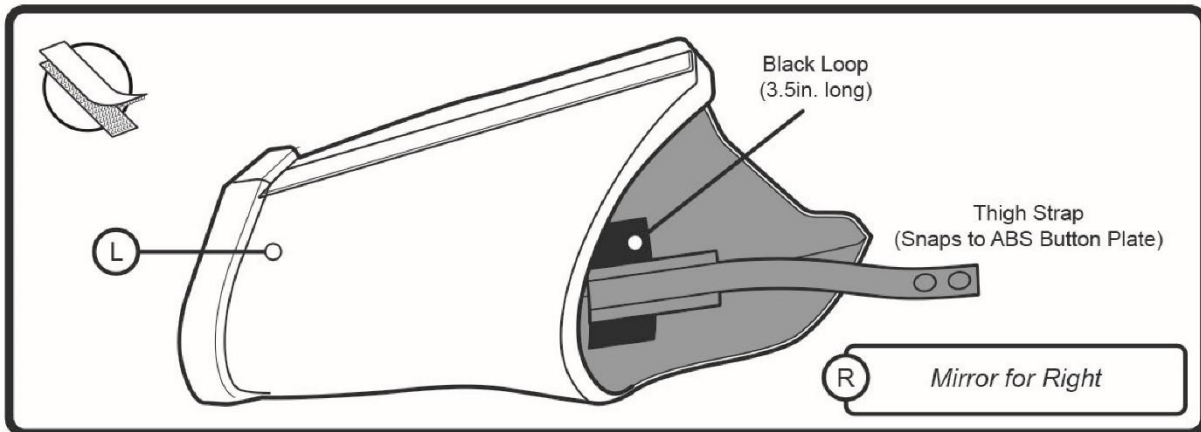
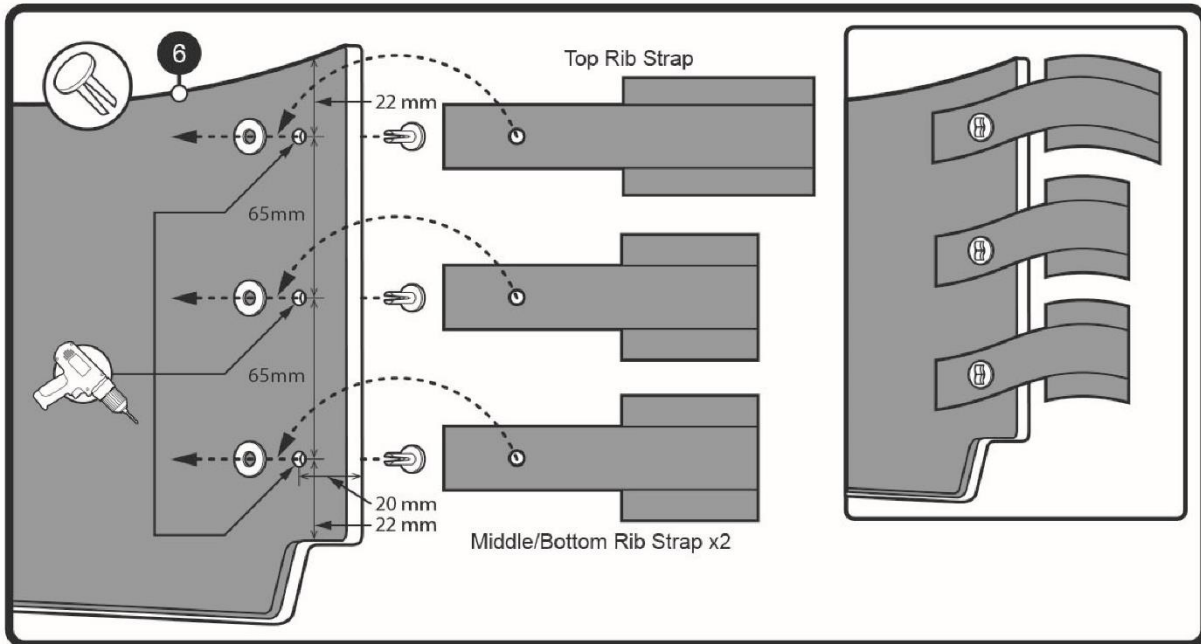
# STAR WARS™



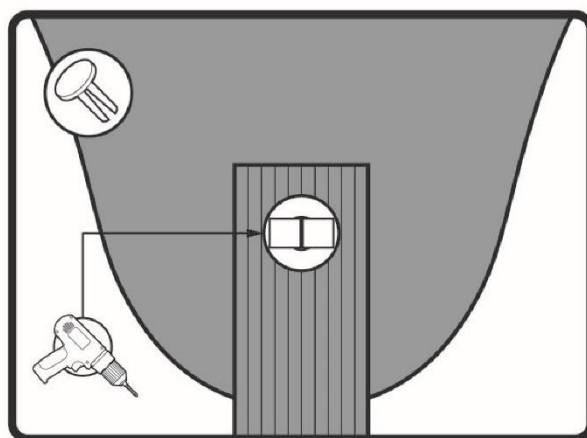
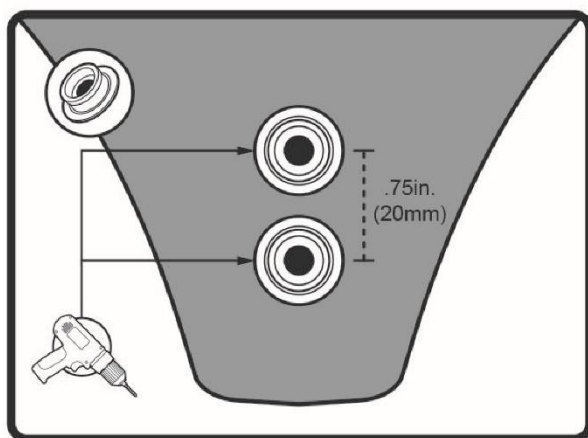
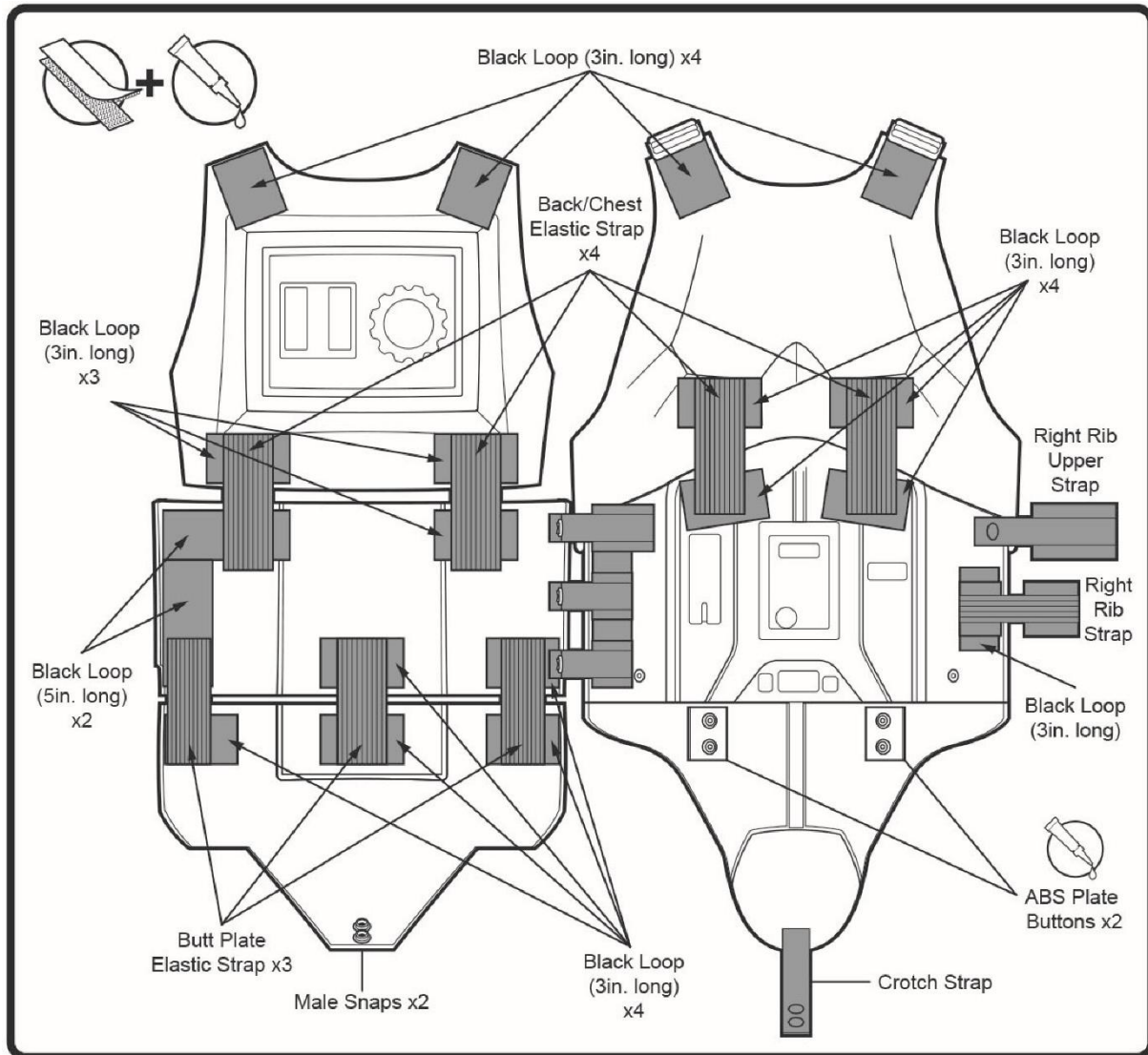
# STAR WARS™



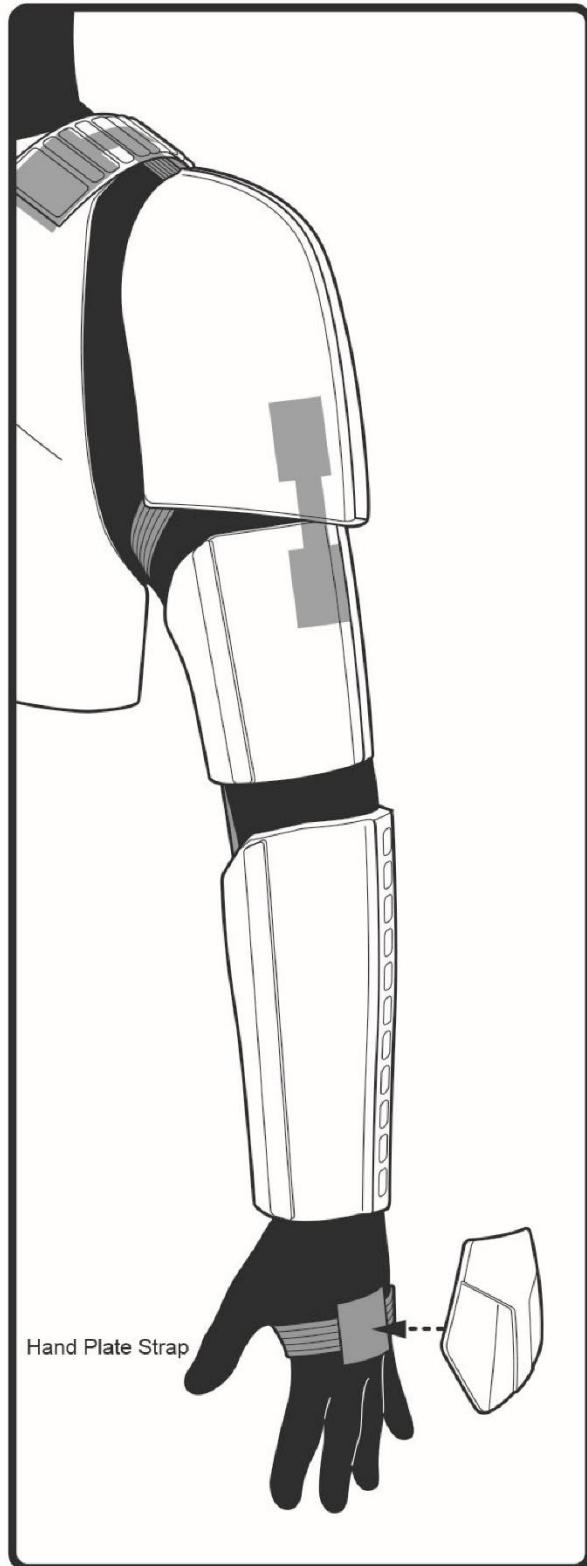
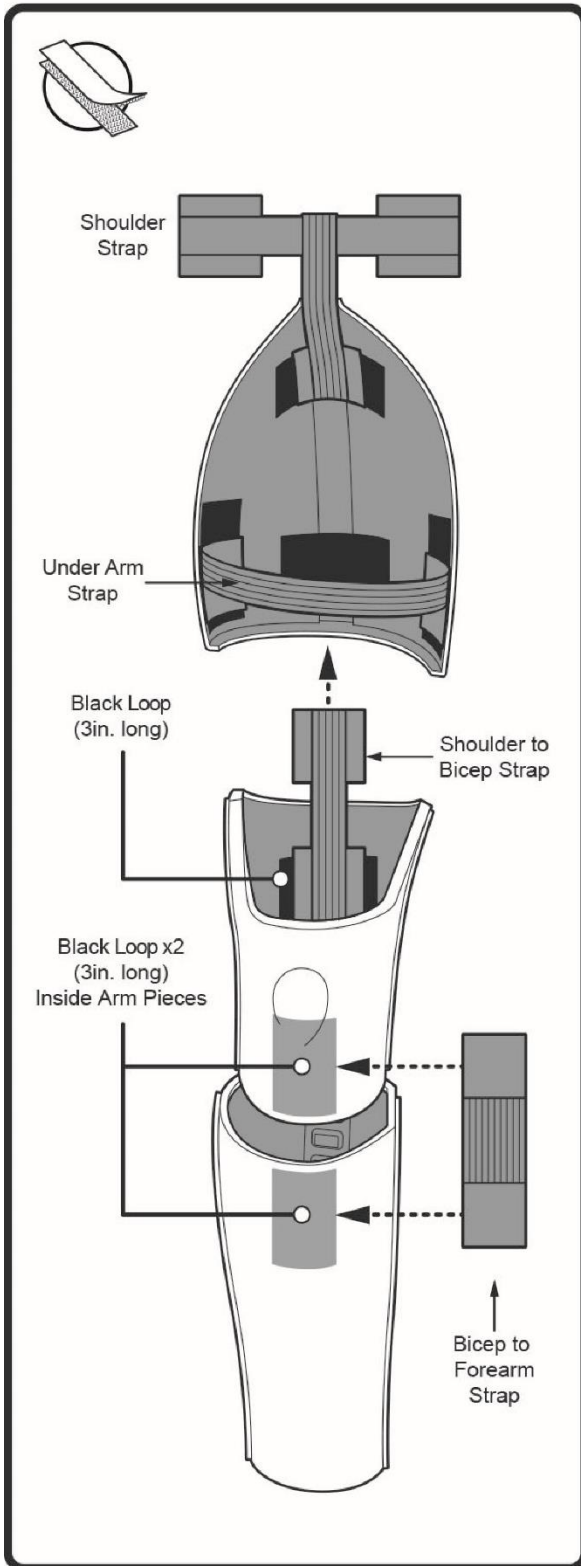
# STAR WARS™



# STAR WARS™



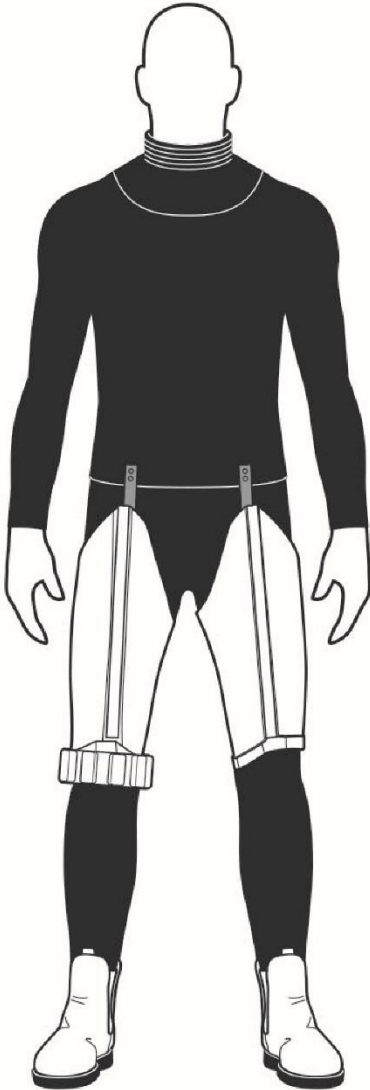
# STAR WARS™



# STAR WARS™

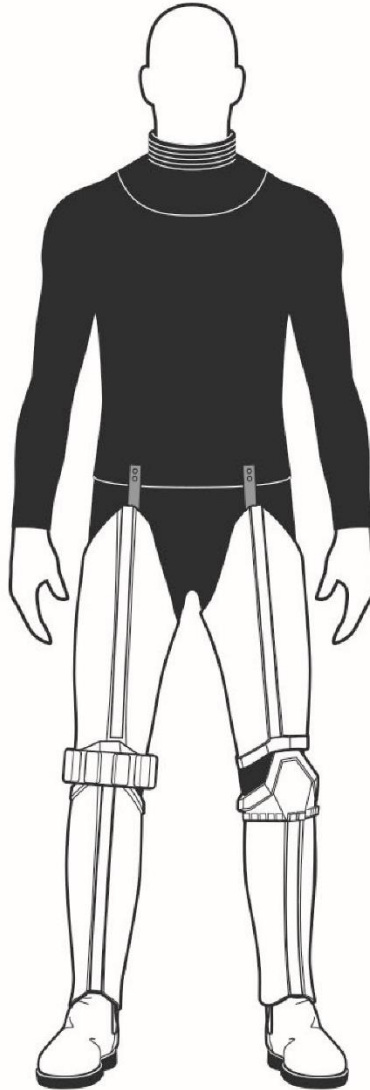
## RECOMMENDED METHOD FOR SUITING UP

1



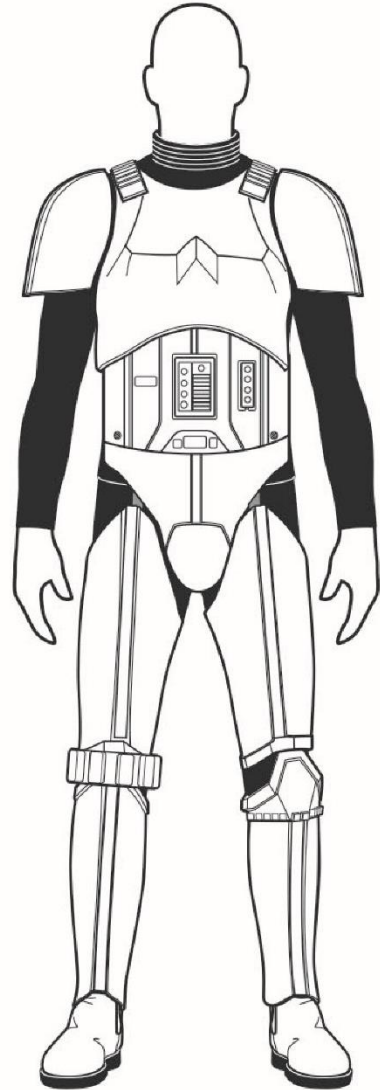
- A. Undersuit
- B. Neck seal
- C. Thighs
- D. Boots (not included)

2



- E. Calves  
(Wrap around legs, over boots,  
and close with Hook and Loop  
fasteners.)

3

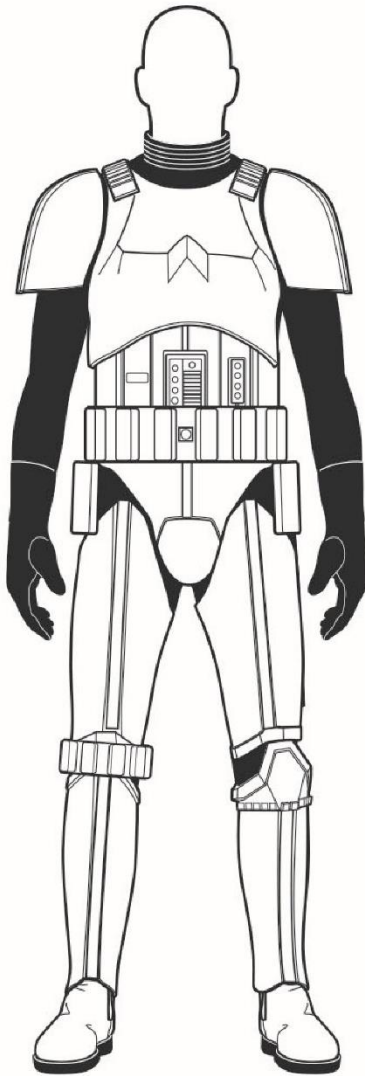


- F. Torso Assembly with Shoulders
- G. Snap Thigh Straps to Lower  
Abdomen/Codpiece
- H. Attach Hook and Loop Straps  
on right side of the Lower  
Abdomen/Codpiece to the Lower  
Kidney Plate

# STAR WARS™

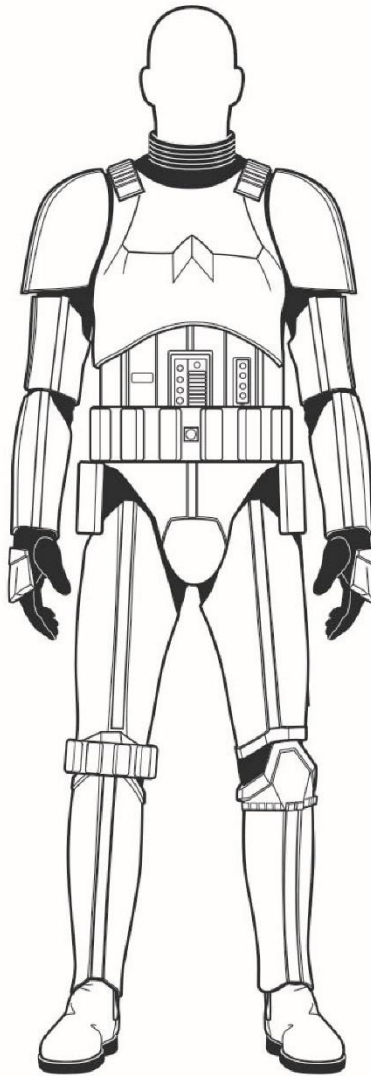
## RECOMMENDED METHOD FOR SUITING UP

4



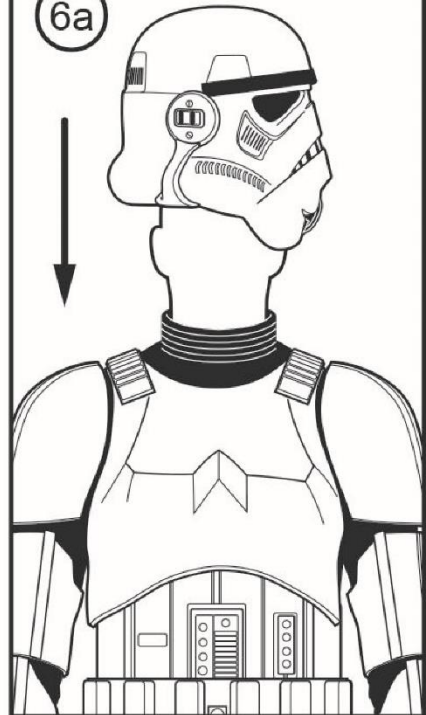
- I. Belt  
(Snap to front of Lower Abdomen/  
Codpiece and close in rear with  
Hook and Loop fasteners)
- J. Detonator  
(Clip on back of belt)
- K. Gloves

5

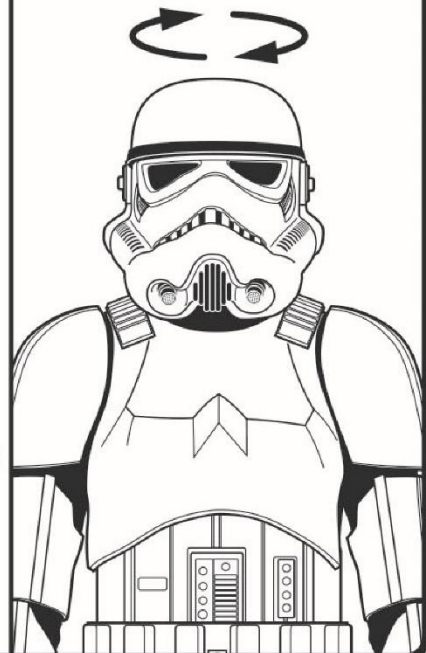


- L. Biceps  
(Attach top Hook and Loop strap to  
Shoulder)
- M. Slide on Forearms
- N. Slide on Hand Plates with straps

6a



6b





**STAR  
WARS™**

**PAGE LEFT INTENTIONALLY BLANK**