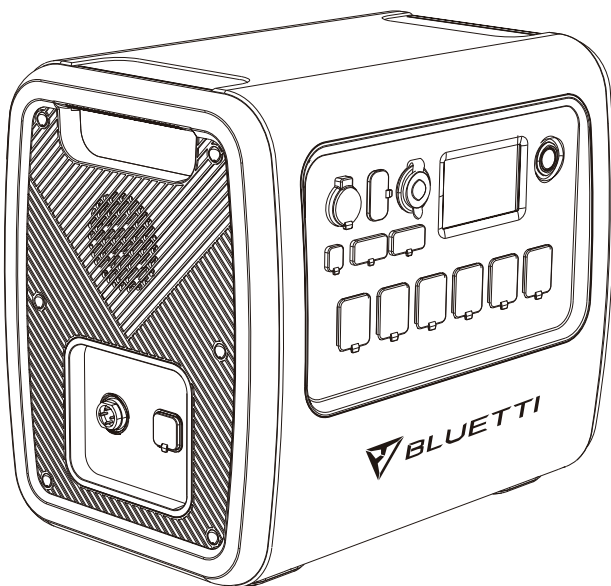


EB200P Portable Power Station

Please read and fully understand this manual before use and keep it handy for future reference.



User Manual

Please read and fully understand this manual before use and keep it handy for future reference.

CONTENTS

1. BRIEF INTRODUCTION.....	01
2. ABBREVIATION.....	01
3. SAFETY INSTRUCTION.....	01
4. IN THE BOX	02
5. FUNCTIONS.....	04
6. LET'S GET STARTED	05
7. TOUCHSCREEN GUIDE.....	05
8. CHARGING.....	08
9. DISCHARGING.....	11
10. APPLICATION SCENARIO.....	11
11. EXAMPLES OF LOADS.....	11
12. ESTIMATION OF OPERATING TIME.....	12
13. TECHNICAL SPECIFICATIONS.....	13
14. TROUBLESHOOTING.....	14
15. FAQ (Frequently Asked Questions).....	15
16. DECLARATION.....	16

1. BRIEF INTRODUCTION

The EB200P features a 2200W pure sine wave inverter and 2048Wh LiFePO4 battery pack, enough to power your daily essential electricity needs. Furthermore, it has the built-in 30A NEMA TT-30 receptacle designed for the RV and the fast-charging 100W PD3.0 USB-C port. Additionally, with an MPPT controller which can handle up to 900W solar input perfectly, it supports AC + Solar 1400W Max. and dual AC 1000W Max. Charging. In short, it can be referred to be an optimum power station for home and outdoor use.

2. ABBREVIATION

- BMS: Battery Management System
- MPPT: Maximum Power Point Tracking
- SOC: State of Charge
- AC: Alternating Current
- DC: Direct Current
- PV: Solar Panel(s) Charging (Photovoltaic)
- Grid: Home Power Supplied by Utility
- DOD: Depth of Discharge
- ECO Mode: A power-saving setting for the EB200P. When it is on, the AC power will automatically turn off over 4 hours low ($\leq 50W$) or no load to save power drain from the inverter.

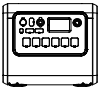




3. SAFETY INSTRUCTION




- DO keep the EB200P power station away from the fire and heat.
- DO operate the EB200P in a dry and well-ventilated place. If it gets moisturized or damp, please dry it thoroughly before use.
- Be sure to check all materials before use. In case of any abnormality such as breakage, crack, leakage, and AC line breakage, please stop using the EB200P immediately.
- DO NOT use wet hands to touch EB200P or connector plug. It may cause electric shock hazards.
- DO NOT use metal to contact the AC output interfaces. It may cause electric shock, overheating, fire, and other dangers.
- DO NOT obstruct fan openings to ensure proper ventilation in use. Otherwise, permanent damage to the EB200P may occur.

- DO NOT move the EB200P in use since vibrations and sudden impacts may lead to poor connections to the hardware inside.
- Please read and fully understand the operating instructions of the electrical products to be connected. Failure to operate the electrical products properly may result in accidents or injuries.
- Please use the original charger and cables only designed for the EB200P. BLUETTI is not liable for damage caused by third-party equipment, which also may invalidate your warranty.
- Please use the EB200P power station carefully and keep children away from it.
- **Warning:** In case of fire, ONLY dry powder fire extinguisher works.
- **Warning:** DO NOT insert foreign objects into any ports of the EB200P (AC, DC, or ventilation holes). The power station generates the same potentially lethal AC power as a household wall outlet.
- **Warning:** It is hazardous for anyone other than the authorized person to carry out any service or repair operation involving replacing the internal battery or other equipment components.





4. IN THE BOX

Standard Accessories

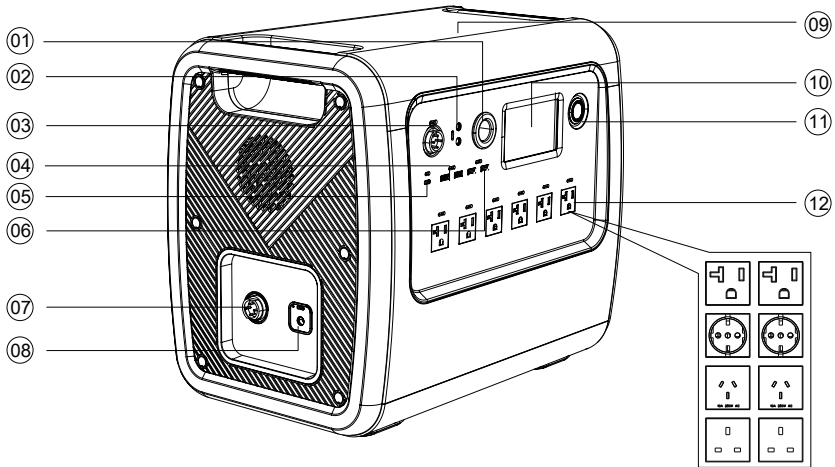
No.	Picture	Category	Quantity
1		Power Station (EB200P)	1PCS
2		Adapter For AC charging.	1PCS
3		PV Charging Cable (XT90 - MC4) For solar charging, up to 15A, 900W.	1PCS
4		Car Charging Cable (XT90 - Cigarette Lighter Port) Charge the EB200P by car.	1PCS
5		Multifunctional DC Charging Cable (XT90-Aviation) Expand the charging methods via PV input port.	1PCS

No.	Picture	Category	Quantity
6		User Manual	1PCS
7		Warranty Card	1PCS
8		Certificate of QC PASS	1PCS

Optional Accessories

No.	Picture	Category	Type
9		Lead-acid Battery Charging Clamp Charging EB200P through lead-acid battery only. DO NOT charge the lead-acid battery via this cable.	Optional Input Cable
10		Multifunctional Input Cable (XT90 - DC7909) Expand the charging methods via AC input port.	
11		12V/30A Output Bundle (Aviation - XT60, XT60 - SPC45) Perfect for RV.	Optional Output Accessories
12		D300S PV Step Down Module Step down the voltage of solar panels (especially rigid panels) to adapt to the EB200P solar input standard.	Optional Accessories

5. FUNCTIONS



01 DC 12V/10A cigarette lighter port
Output port for devices with corresponding plug such as vehicle-use vacuum, refrigerator.

02 DC 5521 12V/10A output x 2pcs
Traditional ports for routers/cameras, old laptop, etc.

03 DC 12V/30A output
Special 30A output port adapted to most appliances, perfect for RV.

04 USB-A 18W output x 2pcs
Quick charge USB-A ports.

05 USB-C 100W output
Output port to charge most devices at 100W Max, such as Pixel Phone, Macbook Pro.

06 USB-A 5V/3A output x 2pcs
Classic USB-A ports.

07 DC input port
The port to connect with solar panels for PV charging, or with extra cables for car, lead-acid battery, and extra AC adapter charging.

08 AC input port
Charging via the AC adapter.

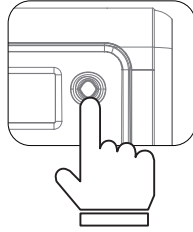
09 Wireless charging pad 15W x 2pcs
Place your phone (if wireless charging supported) on the top of the EB200P horizontally, and turn on the DC.

10 Interaction LCD touchscreen
Control the EB200P with figures.

11 Power button
Long/Short press to turn ON/OFF the EB200P.

12 US AC output x 6 pcs
(EU/UK/AU AC output x 4pcs)
Standard AC receptacle: widely used in 100-120V areas, generates the almost same AC power as a household wall outlet. High-voltage area uses special sockets.

6. LET'S GET STARTED



(1) Startup: short press the power button, the indicator light will be on, and the machine will be on standby.

(2) Shutdown: press and hold the power button for several seconds, and the indicator light will be off and the machine will shut down.

The LED indicator lamp status explanation	
BMS Over-current or short circuit protection	The indicator light flashes and then turns off.
BMS Startup timeout	The indicator light flashes and does not turn off.
Normal startup	The indicator light turns on.
Normal shutdown	The indicator light turns off.

(3) DC power switch and AC power switch are integrated into the interaction LCD screen, press the 'DC ON/OFF' or 'AC ON/OFF' on the screen to turn on/off the DC/AC output.

7. TOUCHSCREEN GUIDE

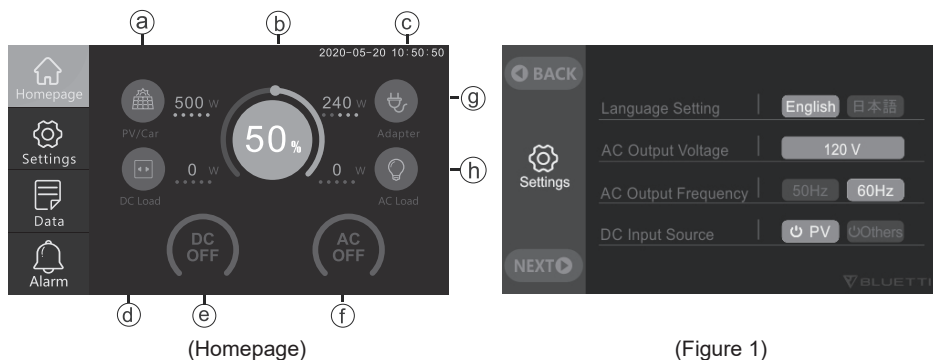
Interaction LCD screen (Information Vision) supports below functions:

- Display the real-time voltage, current, power, temperature and state of charge and discharge.
- Adjust the output voltage, frequency, charging mode, power consumption mode, and time information in the setting column.
- Support energy-saving, and enable Super ECO mode to save more than 30% of energy loss.
- View all fault information and software versions independently.

Friendly Note:

- The LCD touchscreen is resistive. It is recommended to lightly tap or press the screen with fingers until it 'beeps'.
- In order to maximize the lifespan of the LCD screen, please avoid direct sunlight.

(1) When pressing the power button, the mainpage of the LCD screen will display as Homepage.



(Figure 1)

- | | |
|-------------------------|--------------------------|
| a. PV/Car Charging Info | e. DC ON/OFF Switch |
| b. BMS Info | f. AC ON/OFF Switch |
| c. Date/Time | g. Adapter Charging Info |
| d. DC Load Info | h. AC Load Info |

(2) Click the 'Settings' to enter setting section (Figure 1), you can view the current system language, AC output voltage, frequency, and DC input source.

Kindly Note: Please check the AC output voltage, frequency and other parameters for the first startup.

Voltage and Frequency Reference:

- | | | |
|------------------------|------------------------|------------------------|
| • JP output: 100V/50Hz | • EU output: 230V/50Hz | • AU output: 240V/50Hz |
| • US output: 120V/60Hz | • UK output: 230V/50Hz | |

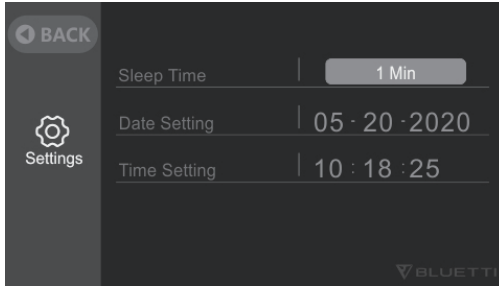
DC Input Source: Select the right method you choose to charge the EB200P.

ECO Mode: When it is on, the AC power will automatically turn off over 4 hours low ($\leq 50W$) or no load to save power drain from the inverter.

Press 'Next' to enter the date and time setting as below (Figure 2):

Backlight and Sleep time: set the proper value as your need for power saving.

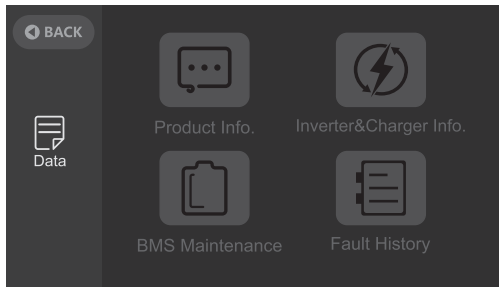
Date and time: 2000-00-00; 00: 00: 00, make adjustments to set it right.



(Figure 2)

(3) Back to the Homepage, tap the 'Data' to enter the Data section (Figure 3).

- Tap the 'Product Info', you can view the product model, software version, BMS version, and so on;
- Tap the 'Inverter & Charger Info', you can view the input and output information, which can also be accessed directly from the shortcut on the Homepage;
- Tap the 'BMS Maintenance', you can view the status of battery, which can also be accessed directly from the shortcut on the Homepage;
- Tap the 'Fault History', you can view all the fault information.



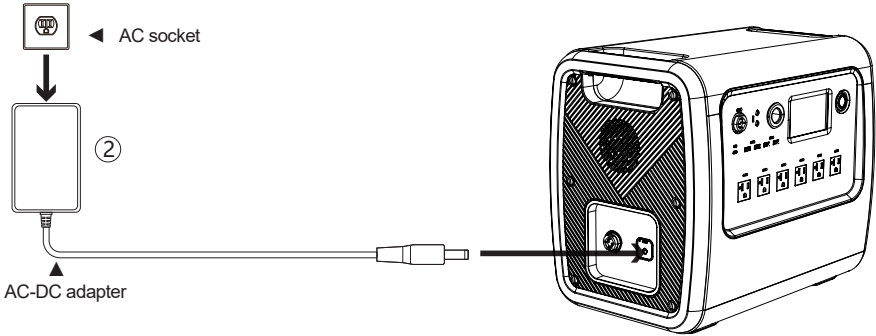
(Figure 3)

(4) Tap the 'Alarm' on the Homepage, you can view the current error information. The fault indicator will display orange if there is a fault.

8. CHARGING

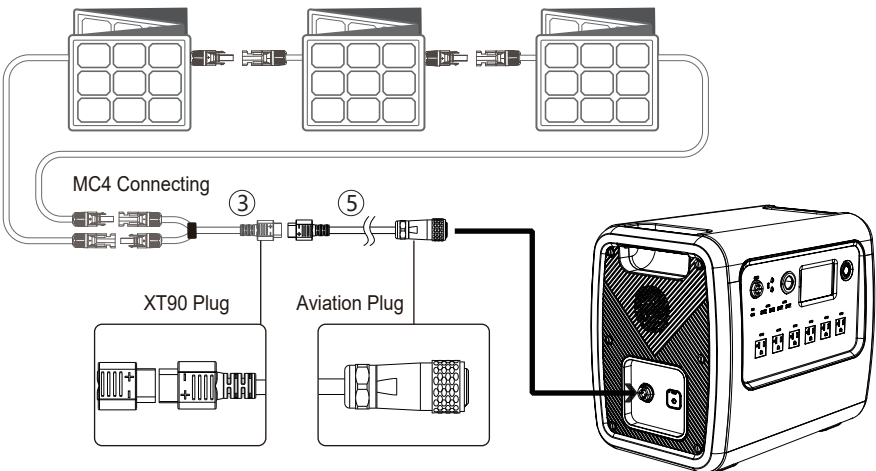
(1) From the AC wall outlet

- Turn the EB200P on and connect the adapter plug to the wall outlet, the other end to the AC input port. Charging will automatically stop when it gets fully charged.



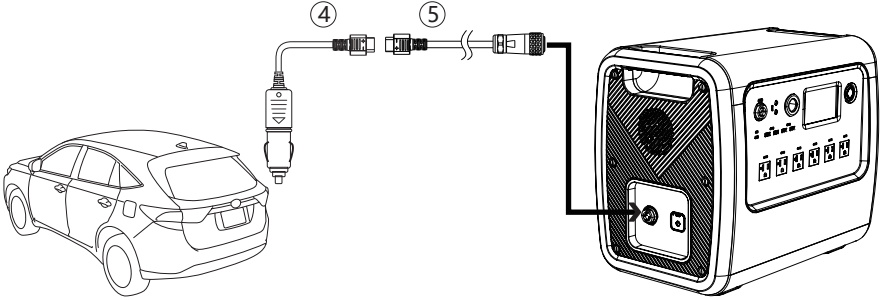
(2) From the solar panels

- Connect the solar panels (in series or parallel) with Open Circuit Voltage range 10V-145V.
- Connect the solar panels to EB200P via the solar charging cable. (Standard Accessory 3 to Accessory 5)
- Charging: The EB200P will be activated when solar charging system is set up successfully.
- The Max. input current of the solar charging: $15.2A \pm 0.3$.



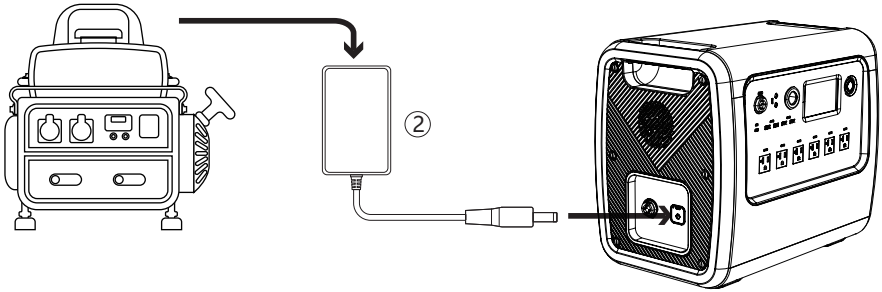
(3) From the car cigarette lighter port

- Turn the EB200P on and connect it to the car cigarette lighter port via the car charging cable.
- Enter the setting section as Figure 1 to set the 'DC Input Source' into 'Others'.
- The input current requirement of car charging: 8.2A.



(4) From the generator (gasoline, propane or diesel)

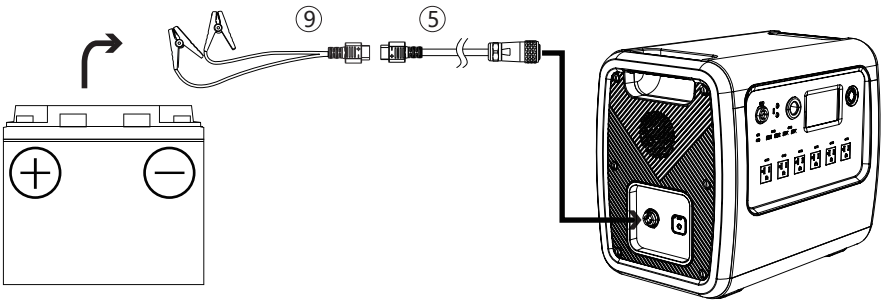
- Connect the AC adapter input to the generator and the output port to the AC charging port of the EB200P.
- Turn the EB200P on, and it will be charged. And the charging will automatically stop when it gets fully charged.



(5) From the lead-acid battery

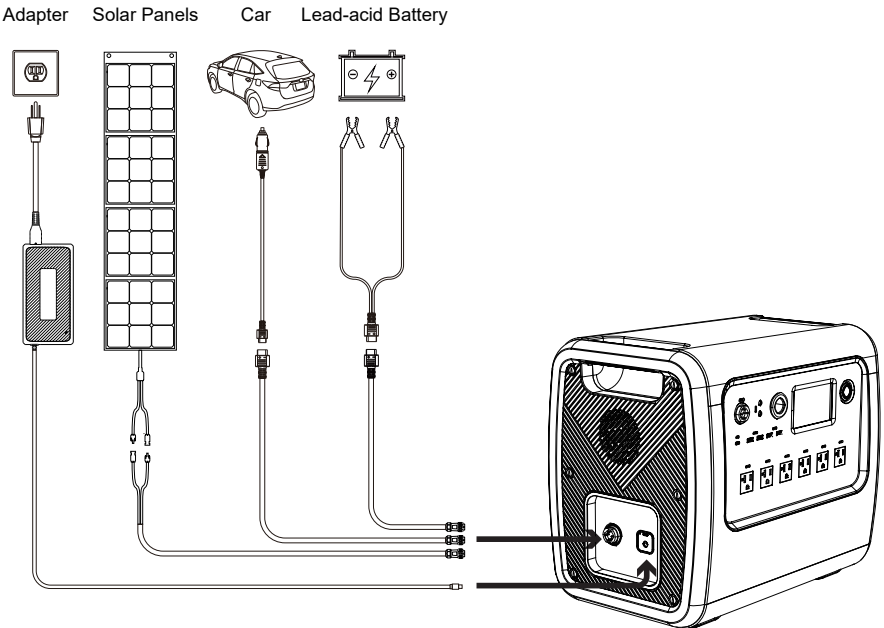
- Connect the EB200P with the lead-acid battery via the charging cables (Accessory 9 and Accessory 5). Please pay attention to distinguishing the battery polarities. The red pole indicates the positive, and the black one indicates the negative.
- Enter the setting section as Figure 1 to set the 'DC Input Source' into 'Others'. And its maximum input current is also 8.2A.

Kindly Note: Accessory 9 is for charging the EB200P via lead-acid battery only. DO NOT use it for other purposes, like charging the lead-acid battery.



(6) Dual Charging

- Set the 'DC Input Source' to 'PV' to achieve AC + PV Dual Charging.
- Set the 'DC Input Source' to 'Others' to achieve AC + Adapter/Lead-acid Battery Charging.



(EB200P Dual Charging System)

9. DISCHARGING

- (1) Turn on 12V/30A, 12V/10A, cigarette lighter port, USB-A, and USB-C output: press the power button to enter the Homepage, click the 'DC ON/OFF' and confirm.
- (2) Turn off the DC output: click the 'DC ON/OFF' and confirm.
- (3) Turn on the AC output: press the power button to enter the Homepage, click the 'AC ON/OFF' and confirm.
- (4) Turn off the AC output: click the 'AC ON/ OFF' and confirm.

10. APPLICATION SCENARIO

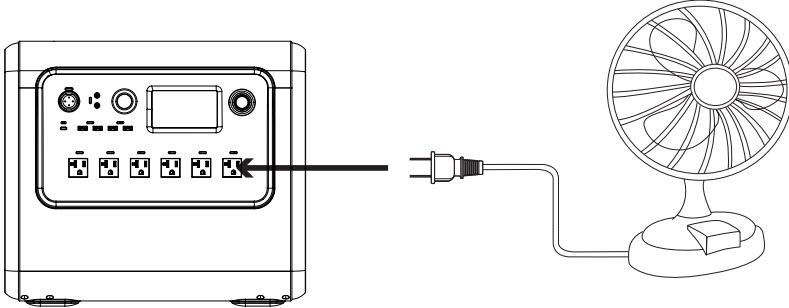
(1) Outdoor:

Car equipment: car fridge, car vacuum cleaner and other car equipment;

Camping equipment: garden electric tools (power tools such as blowers, lawn mowers, electric drills, electric saws), BBQ grills, LED lights, etc.

(2) Indoor:

Refrigerator, kitchen devices such as kettle, toaster, blender, coffee maker, rice cooker, laptops, phones, lighting, etc.



11. EXAMPLES OF LOADS

(1) Most electrical appliances in the market apply to the specifications of 12V/30A, 12V/10A, cigarette lighter port, USB-A, USB-C output ports of the EB200P. But still, the charging of some products may trigger overload protection if it generates a massive instantaneous power at the moment of starting.

(2) The EB200P can power electrical products with 2200W or less rated power. Though the figure is under 2200W, some air conditioners, motors, and other devices needing high

instantaneous start current may trigger overcurrent protection when peak value and rated current ratio exceeds 3:1. Thus, it's recommended to apply the EB200P to the electrical appliances with lower-rated power.

(3) If an output over-current, overload, or short circuit occurs, the EB200P will turn off the corresponding output port. Then it will automatically start again (at an interval of 20s). Suppose there is still an over-current, overload, or short circuit. The output will be locked, and it then needs manual troubleshooting. If the output repeatedly stops, turn off the equipment immediately. Please contact the seller or maintenance group for help.

(4) When the battery level drops to 0%, the DC and AC output will automatically turn off. ONLY when the battery power is charged to more than 5%, the DC and AC output can be turned on again. Please check the battery level for every use to protect and enhance the battery cycle life.

(5) The EB200P supports charging and discharging simultaneously, and please keep

12. ESTIMATION OF OPERATING TIME

<p>Smartphone</p> <hr/> <p>165-200Times 10W</p>	<p>LED Light Bulb</p> <hr/> <p>Around 75-85hrs 20W</p>	<p>Television</p> <hr/> <p>Around 21-23hrs 75W</p>
<p>Electronic Tools</p> <hr/> <p>Around 19-21hrs 80W</p>	<p>Refrigerator</p> <hr/> <p>Around 17-19hrs 90W</p>	<p>Slow Cooker</p> <hr/> <p>Around 7-9hrs 200W</p>

$2048\text{Wh} \times \text{DOD} \times \eta \div (\text{load power}) = \text{charging time}$










Note: DOD is the battery discharge depth, η is the local inverter efficiency.

And the units of load power and charging time are Watt and Hour, respectively.









DOD=90%, η =88%.

13. TECHNICAL SPECIFICATIONS





General Specs

 Rated Output power		 Typical Capacity	 Battery Type	 Net Weight
2000W 2000W<load<2500W, 2min; 2500W<load, 8~10S	2200W 2200W<load<2750W, 2min; 2750W<load, 8~10S	2048Wh	LiFePO4	About 28.1KG/61.9lbs (The weight may vary due to measurement differences.)
 Dimensions	 Charging Temperature	 Discharge Temperature	 Working Humidity	 Working Noise
440x296x387.5mm (17.3x11.6x15.3 inches)	0-40°C 32-104°F	-20-40°C -4-104°F	10%-90%	≤53dB

Output Specs

 AC	 USB-A x2	 USB-A x2	 USB-C x1	 Cigarette Lighter x1	 5521 x2	 RV x1	 Wireless Charging Pad x2
100-110V AC×6, 2000W Total 110-120V AC×6, 2200W Total 220-240V AC×4, 2200W Total	5-12VDC 3A 18W x2	5VDC 3A 15W Total	5-15VDC 3A 20VDC 5A	12VDC 10A Total	12VDC 30A	5/7.5/10/15W	

Input Specs

 AC-DC Adapter	 Solar Charging	 Car Charging	 Battery Charging
58.8VDC/7-8A	10V-145VDC/15A	11-28.8VDC/8.2A	

14. TROUBLESHOOTING

Error Code	Description
001	PV Over Voltage
004	DC Output Short Circuit
005	Adapter Over Voltage
006	Adapter Low Voltage
007	Adapter Relay Error
008	Adapter Over Current
010	USB-A/USB-C/PD Over Current
011	12V/10A Over Current
012	12V/30A Over Current
014	DC Start Failure
015	DC Output Relay Error
016	BUS Start Failure
017	Inverter Start Failure
018	BUS Low Voltage
019	BUS High Voltage
020	Inverter Low Voltage
021	Inverter High Voltage
022	Inverter Low Frequency
023	Inverter High Frequency
025	Battery High Voltage
026	Battery Low Voltage
027	Battery Unconnected
028	Fan Error
029	NTC Error
030	Calibration Error
031	Inverter Over Load
032	Inverter Short Circuit
033	DSP Communication Error
034	BMS Communication Error
035	EEPROM Read_write Error

036	Parameters of Control Module Error
041	BMS Temperature Error
042	BMS Over Voltage
043	BMS Low Voltage
044	BMS Over Current
045	BMS Pre-charge Failure
046	BMS Output Short Circuit
051	AC Output Locked
053	USB-A/USB-C/PD Locked
054	12V/10A Locked
055	12V/30A Locked

15. FAQ (Frequently Asked Questions)

- How to claim the warranty?
Please write your after-sales requirements on the warranty card and send it to the vendor.
- Can it be charged and discharged at the same time?
Yes, it supports pass-through charging. Please keep the equipment laid flat during use, charging, and discharging.
- How to store the EB200P?
It is recommended to charge the unit to 60-80% SOC every 3 months to extend the battery life.

16. DECLARATION

- Please note that specifications, appearance, and other upgrades are subject to improvement without prior notice.
- The company shall not be liable for any damage caused by force majeure, such as fires, typhoons, floods, earthquakes, or the user's intentional negligence, misuse, or other abnormal conditions.
- The company shall not be liable for damage caused by using non-standard adapters and accessories.
- The company shall not be liable for any accidents or damages caused by failure to follow the precautions in the instruction manual.
- This product is NOT suitable for relevant equipment or machines involving personal safety, such as automatic energy devices, Hi-Fi player devices, emergency medical devices, etc., or for appliances requiring demanding power reliability and security, such as aerospace equipment, trunk communication equipment, nuclear control equipment, and medical equipment. Please confirm the applicability of this product in advance.



Company: POWEROAK GmbH

Address: Lindwurmstr. 114, 80337 München Germany

Mail: logj@bluetti.de



Company: POWEROAK ENERGY UK CO., LTD

Address: Suite 108 Chase Business Center 39-41

Chase Side London United Kingdom N14 5BP

Mail: poweroak.eu@bluetti.com