



Gopher Wire & Staples

Olle's gopher wire is woven in 3/4" square grids and crafted from 18 gauge galvanized stainless steel (grade 304) wire.

- Rust-resistant and durable
- Easy assembly
- Includes staples to secure the gopher wire in place
- Flexible and can be easily cut to different sizes and shapes
- Ideal size for Olle's raised garden beds
- Specifically designed for protecting your plants from gophers, moles and other burrowing animals
- Environmentally-friendly and chemical-free

Please visit ollegardens.com to check our Garden Beds, Arch Trellis, and other premium garden products.

 info@ollegardens.com

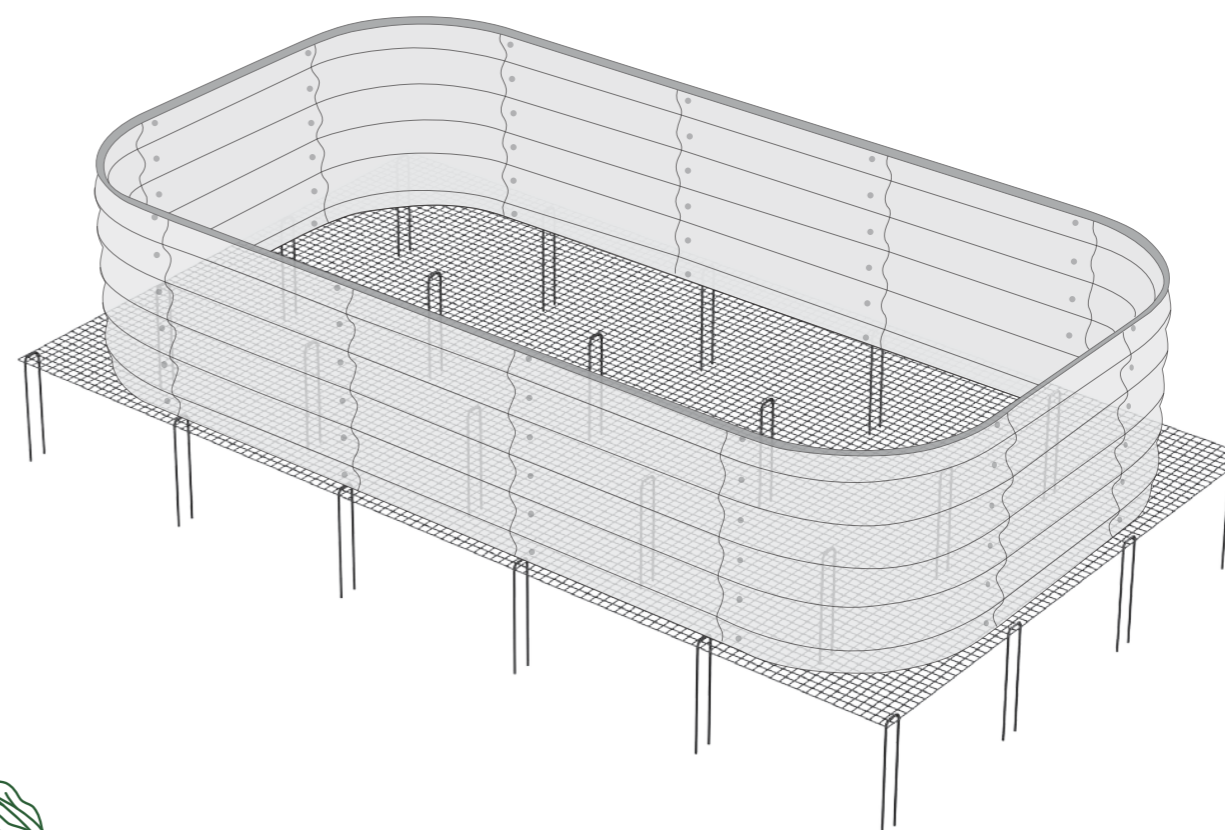
 1-833-655-3872

 www.ollegardens.com



Gopher Wire & Staples General Manual

This manual describes the steps to assemble Olle's Gopher Wire & Staples for all sizes. The sizes and number of parts will vary depending upon the size purchased.



Caution

Please be extra mindful when handling the gopher wire because of the sharp metal edges. Protective equipment like gloves and closed-toe shoes is highly recommended. Handle this item with care around children.

Packing List

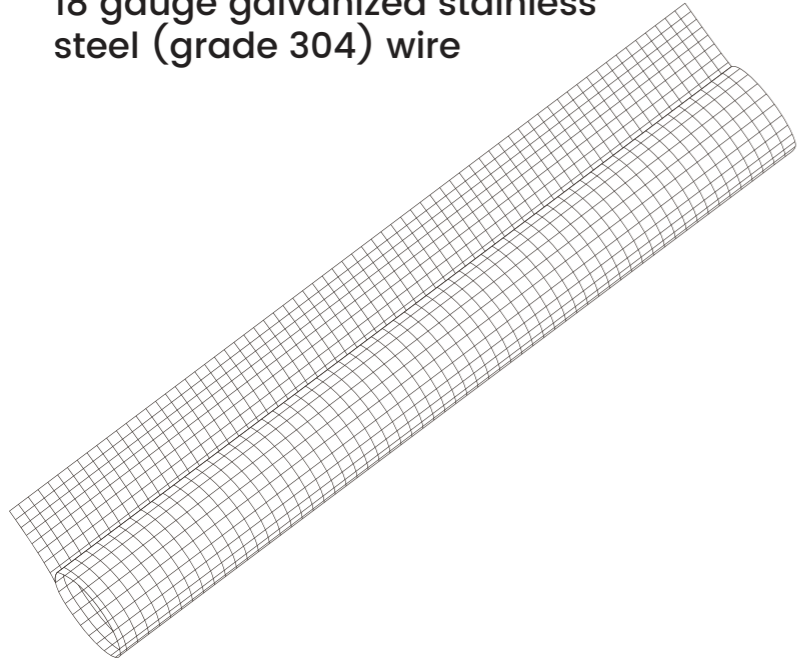
Installation Guide

Parts and quantity will vary depending on the model.

A

Gopher Wire

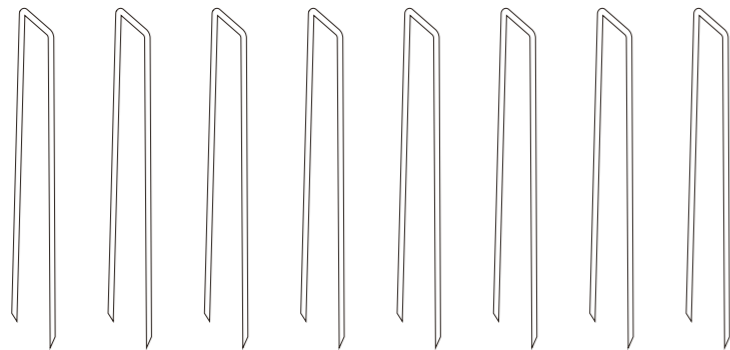
3/4" square grids,
18 gauge galvanized stainless
steel (grade 304) wire



B

Landscape Staples

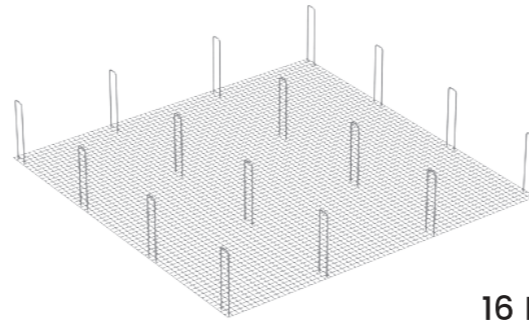
8 gauge, 6" length, 1.2" width,
Galvanized steel



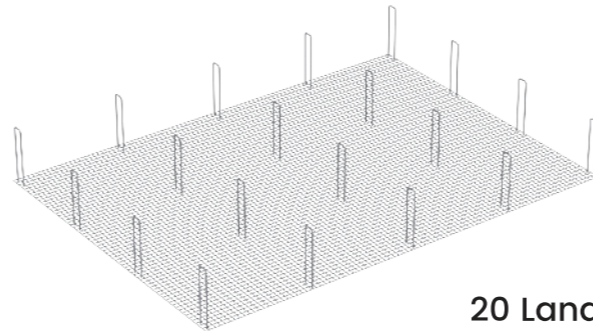
Tools required: Hammer, Wire Cutter

1

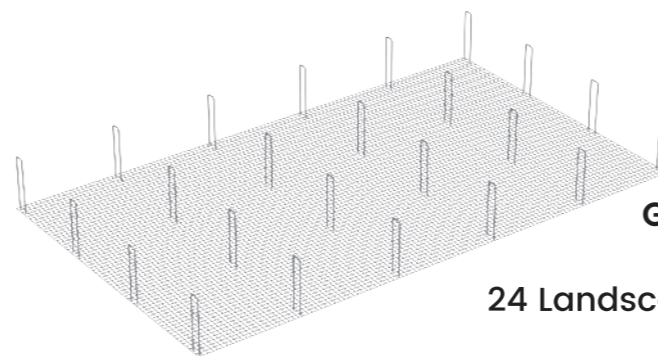
Lay out the gopher wire on the ground where you plan to place your garden bed. If you cut the wire, make sure to leave a few extra inches for each side of your bed.



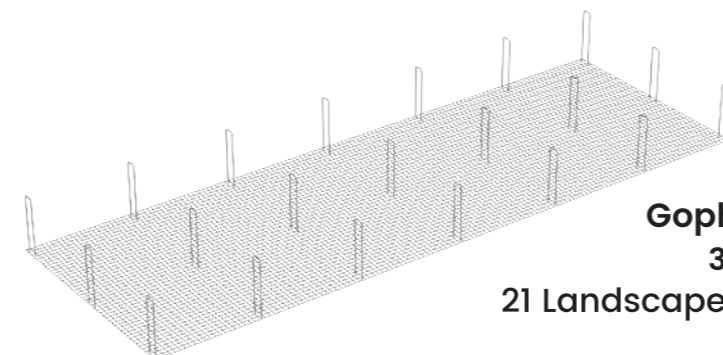
Gopher Wire
50" x 50"
16 Landscape Staples



Gopher Wire
50" x 74"
20 Landscape Staples



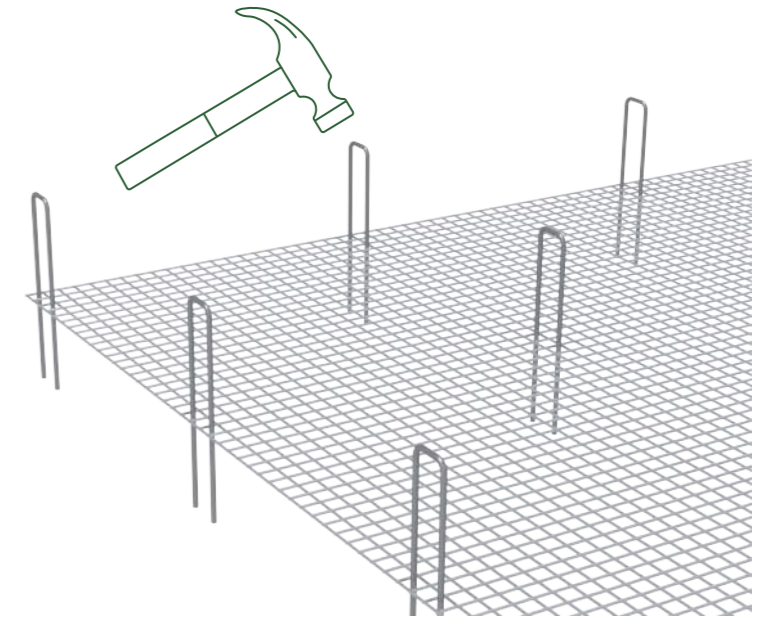
Gopher Wire
50" x 86"
24 Landscape Staples



Gopher Wire
35" x 102"
21 Landscape Staples

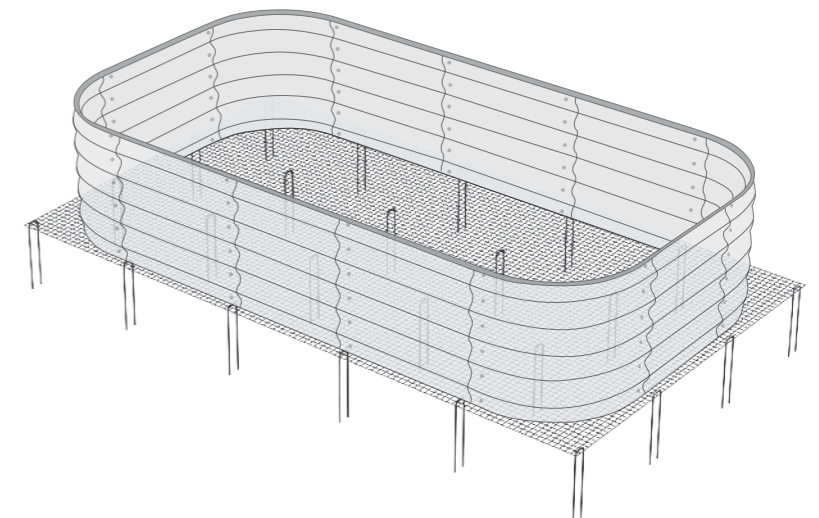
2

Use a hammer to lightly tap the staples into the ground to secure the gopher wire. Space the staples out equally.



3

Place the garden bed on top of the fixed gopher wire. Position your garden bed so that it is in the middle of the gopher wire.



*You may use soil to cover the edges of the gopher wire that is sticking out from the garden bed.