



Olle Products & Accessories



17" 12-in-1 Raised Bed



Metal Garden Arch Trellis Arbor



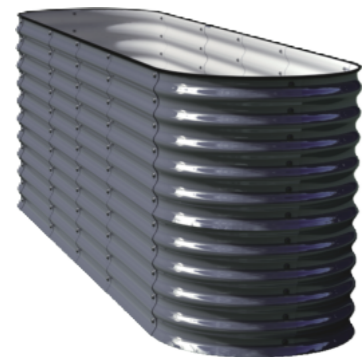
Gopher Wire



4-Style Modular Raised Bed



Worm / Composter Bin



32" 12-in-1 Raised Bed



32" Tall, 42" Round Raised Bed

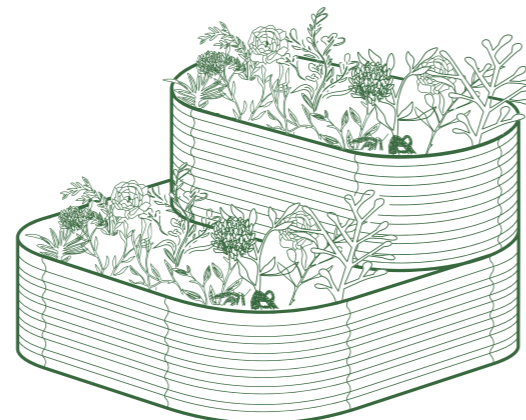


17" Tall, 42" Round Raised Bed

✉ info@ollegardens.com

☎ 1-833-655-3872

🌐 www.ollegardens.com



3 CONFIGURATION OPTIONS

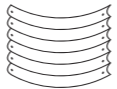
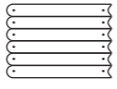
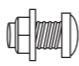


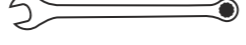


WATERFALL MODULAR RAISED GARDEN BED ASSEMBLY INSTRUCTIONS



www.ollegardens.com

What is in the kit ?

Part NO.	Description	Qty.	Parts
A	Corners 24"	8 pcs	
B	Short Panels 16"	6 pcs	
C	Short Bolts, Washers and Nuts (Stainless Steel)	84 sets	
D	Long Bolts, Washers and Nuts (Stainless Steel)	6 sets	
E	Rubber Safety Edging	1 pc	
F	Wrench Tool (10mm)	1 pc	

CAUTION

Please be aware of the sharp edges in the metal panels that may cause injury. The use of protective equipment such as gloves and closed-toe shoes is recommended.

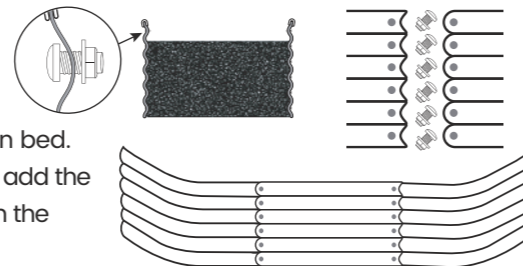


Step 1

- Lay out the Corners and Panels in the design you wish to build.
- Remove the protective film from both sides of the panels prior to assembly.

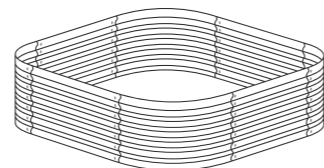
Step 2

- Assemble a corner and a flat panel to start. Layer the corner on the outside. Put one bolt at the top and bottom of the panel set. Hand-tighten them.
- Continue the same process to complete your garden bed.
- After you have loosely assembled your desired shape, add the interior bolts on the outside and the washer and nut on the inside.



Step 3

- Pinch the panels together at the top and finish tightening the nuts from the top to the bottom with the wrench tool provided and a phillips head screwdriver to hold the bolt in place on the outside. To speed up the tightening process, you can use a metric number 10mm hand ratchet.



Step 4

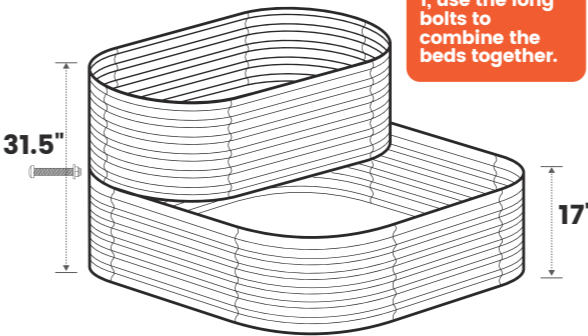
- Slightly pull/stretch the Safety Rubber Capping as you push it onto the top edge of the garden bed and trim off the excess. (You can use the back of the wrench we provide or a screwdriver to slightly open the channel of the rubber edging **only** at the joints where the panels overlap allowing it to slip over both panels easier.)



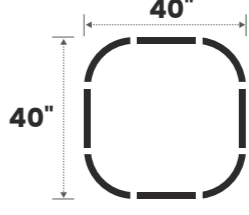
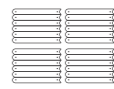
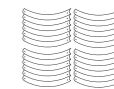
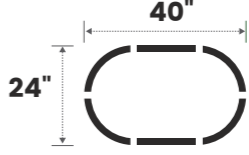

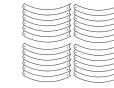
3-in-1 Modular Raised Garden System

Choose the option that fits your space

Option 1



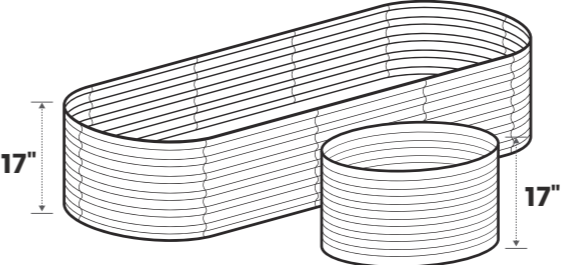
If you are building option 1, use the long bolts to combine the beds together.

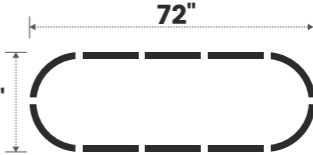
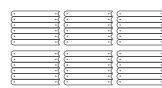



 40" 40" 40" 24"	Short Panels 16"	Corners 24"
	4 pcs 	4 pcs 
 40" 24"	2 pcs 	4 pcs 

Short Oval 40"×24"×17" (length x width x height)

Square 40"×40"×17" (length x width x height)

Option 2

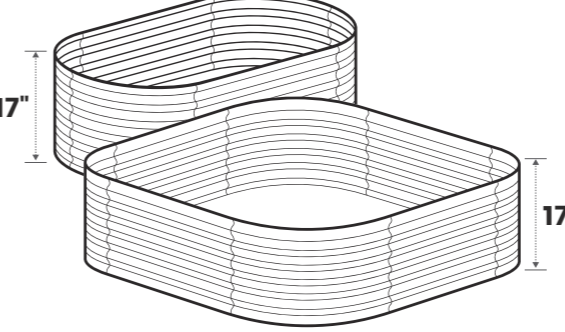


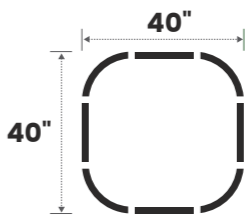

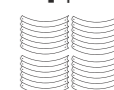
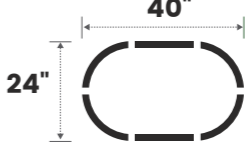

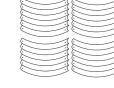
 72" 24" 24"	Short Panels 16"	Corners 24"
	6 pcs 	4 pcs 
 24" 24"		4 pcs 

Long Oval 72"×24"×17" (length x width x height)

Circle 24"×17" (diameter x height)

Option 3



 40" 40" 40" 24"	Short Panels 16"	Corners 24"
	4 pcs 	4 pcs 
 40" 24"	2 pcs 	4 pcs 

Short Oval 40"×24"×17" (length x width x height)

Square 40"×40"×17" (length x width x height)