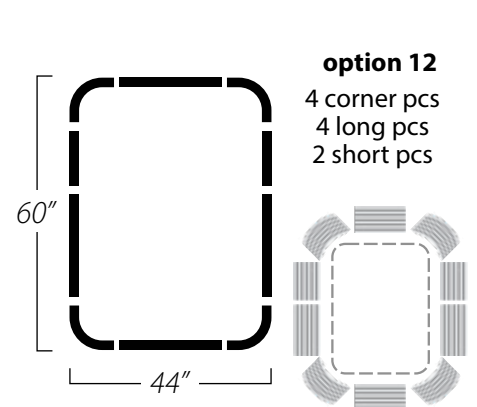
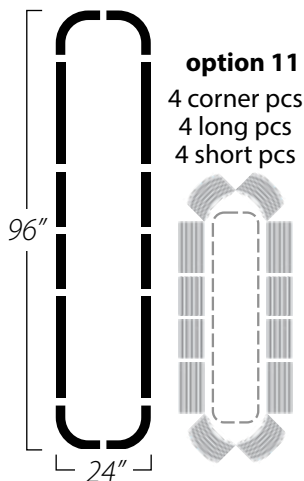
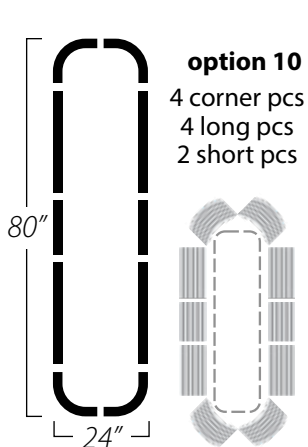
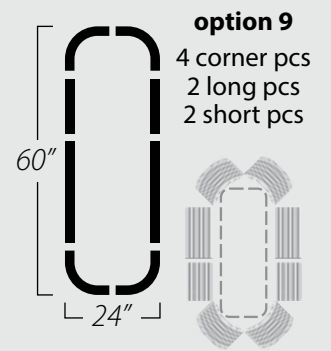
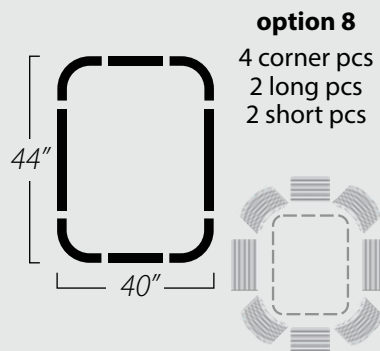
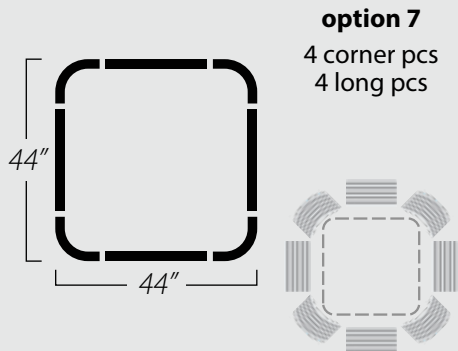
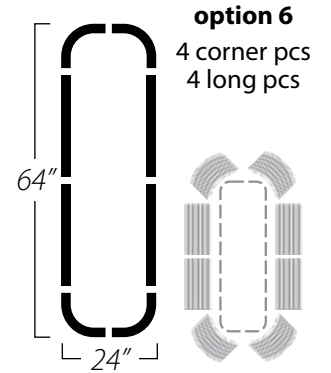
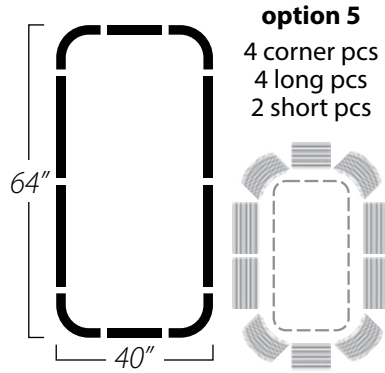
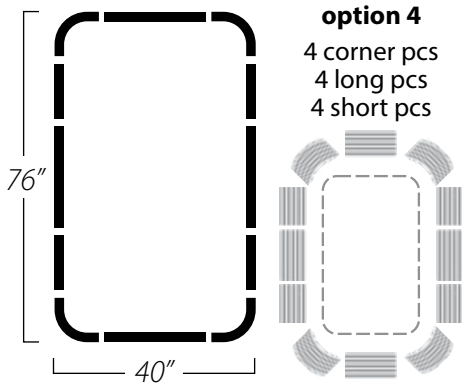
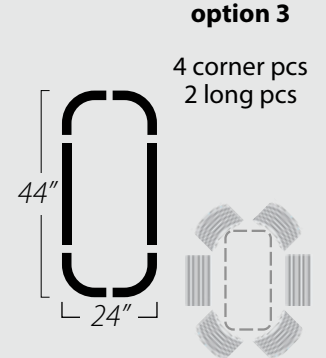
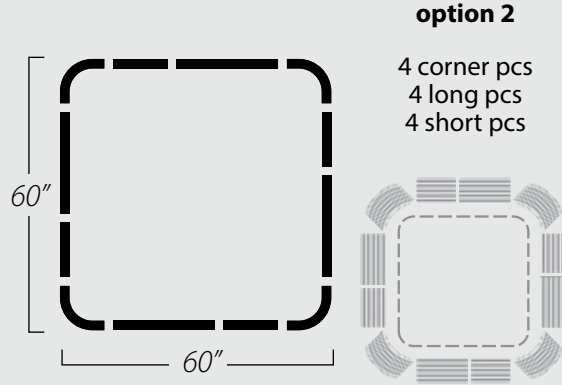
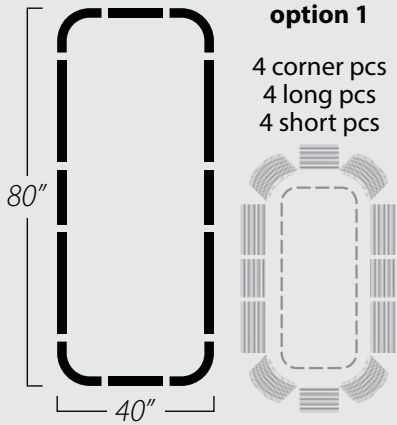


12 IN 1 MODULAR SYSTEM

CHOOSE THE OPTION THAT SUITS YOUR SPACE



Olle[®]

MODULAR GARDEN BED

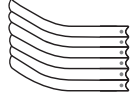
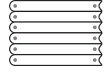
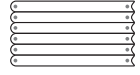
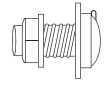
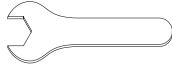

12in1 CONFIGURATIONS



ASSEMBLING INSTRUCTION

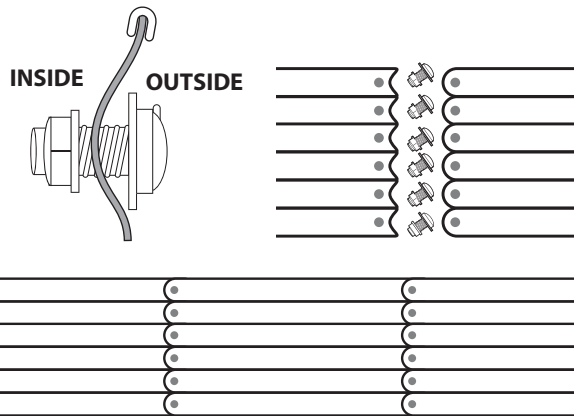
[www. ollegardens.com](http://www.ollegardens.com)

WHAT IS IN THE KIT:

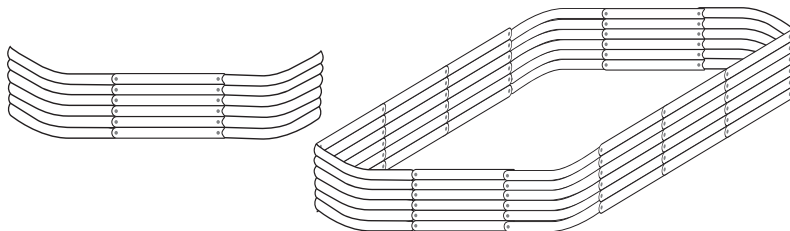
PartNO.	Description	Qty.	Parts
A	4 Corners 24"	4 pcs	
B	4 Short Panels 16"	4 pcs	
C	4 Long Panels 20"	4 pcs	
D	1 Bag Bolts, Washers and Nuts (72 pieces of each)	72 sets	
E	1 Wrench Tool	1 set	
F	1 Rubber Safety Edging	1 set	

Step 1) Lay out the Corners and Panels
Remove the protective film prior to assembly

Step 2) Assemble the side panels layering one on top of the next to complete your side walls
Attach the panels and corners with the bolt and washer on the outside and the nut on the inside
Hand tighten up then finish tightening with the wrench tool provided or a metric number 10 hand ratchet



Step 3) After your side panels are assembled attach the corner panels on the outside of the side panels



Step 4) Push the safety Rubber Capping onto the top edge of the garden bed
Cut off the extra length and make sure the edging is securely attached



Olle[®]
MODULAR GARDEN BED

For Inquiries:
info@ollegardens.com
1-833-OLLEUSA(833) 655-3872
www.ollegardens.com