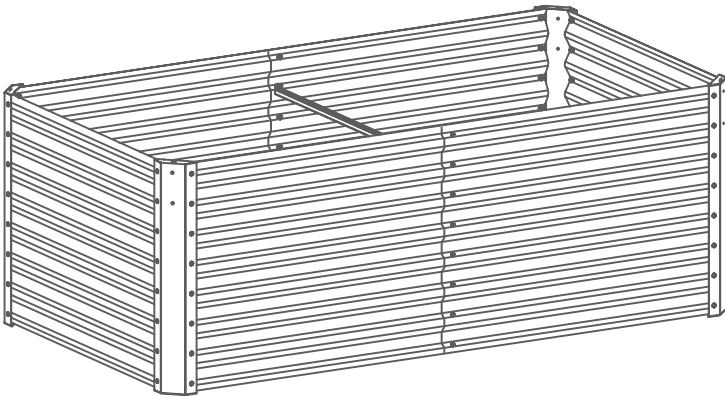


SAVANA



USER MANUAL

Raised Metal Garden Bed

Product Size: 36" x 72" x 24"

NOTICE

Please retain these instructions for future reference.

- Do not use as a step ladder or stand on any part of the product.
- Fasten **all** bolts, screws and knobs firmly before use.
- Reconfirm that **all** bolts, screws and knobs are secure every 90 days.
- Note that some parts are heavy and have sharp edges.
- Make sure that **all** parts of this product are in good working condition before beginning to use it. If any parts are broken, damaged, worn out or missing, stop using this product until they are repaired or the factory's replacement parts are installed.
- Please follow this manual's installation and usage instructions, otherwise improper use may void the product warranty.

CAUTION

Please be aware that the metal panels on this unit may cause injury. We recommend using protective equipment such as gloves and closed toe shoes to avoid any accidents from happening!



HARDWARE

1 M6 X 10mm
SCREW



80 PCS

2 M03 NUTS



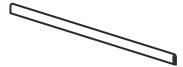
80 PCS

3 STAKE



4 PCS

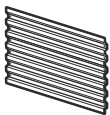
4 RUBBER
BUMPER



1 PC

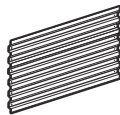
PARTS

A END PANEL



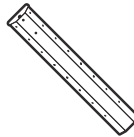
2 PCS

B SIDE PANEL



4 PCS

C BRACKET



4 PCS

D BRACING ROD



2 PCS

TOOLS & ASSEMBLY



PHILLIPS
SCREWDRIVER



SCISSORS



1 PERSON
ASSEMBLY



UP TO 45 MIN.
ASSEMBLY

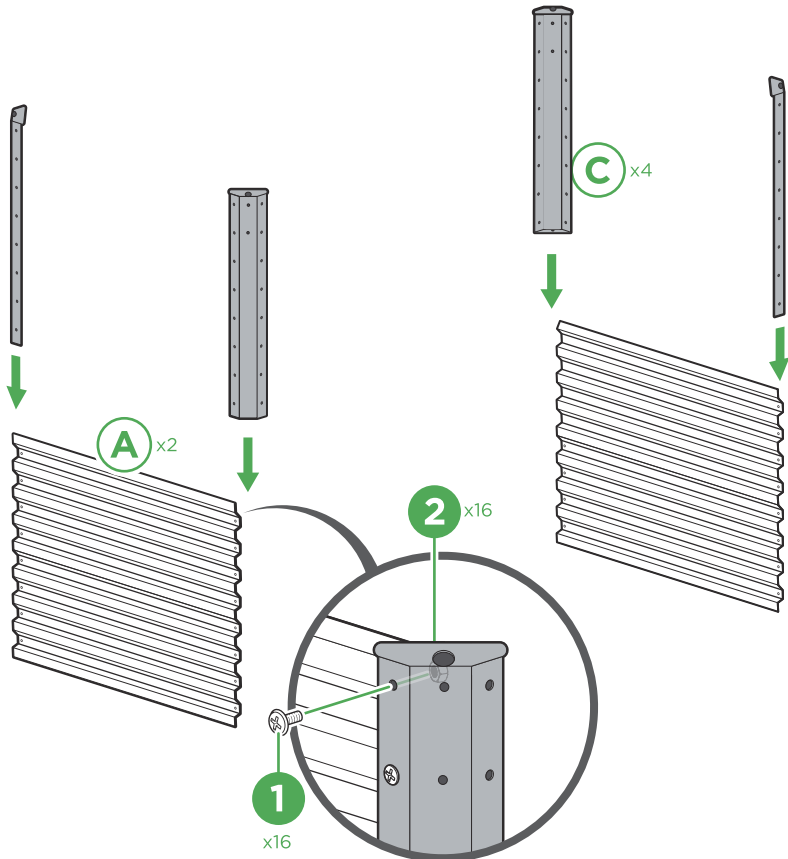
PRODUCT ASSEMBLY

1

Take out all of the pieces and lay them out.

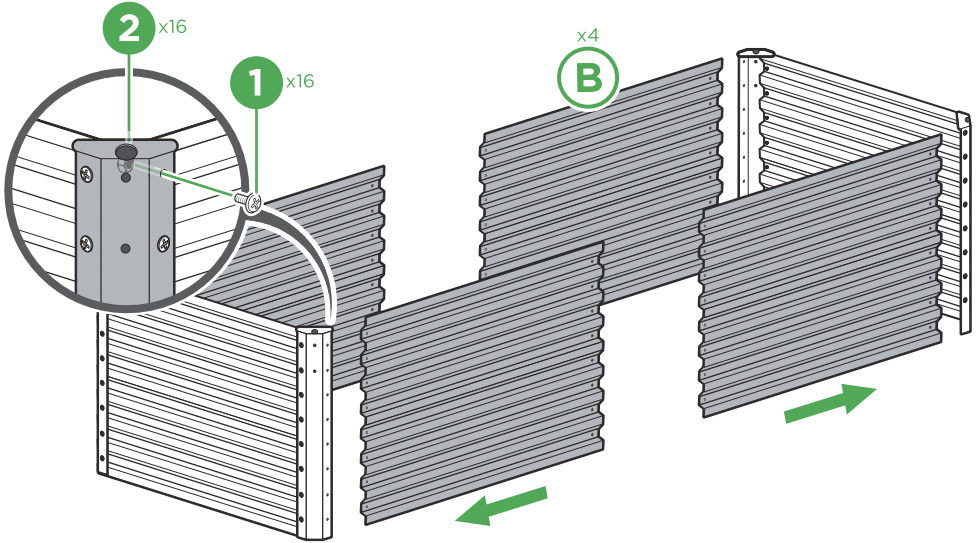
2

Connect two (C) brackets to one (A) end panel with sixteen (#1) screws and secure with sixteen (#2) M03 nuts. Repeat with the other end.



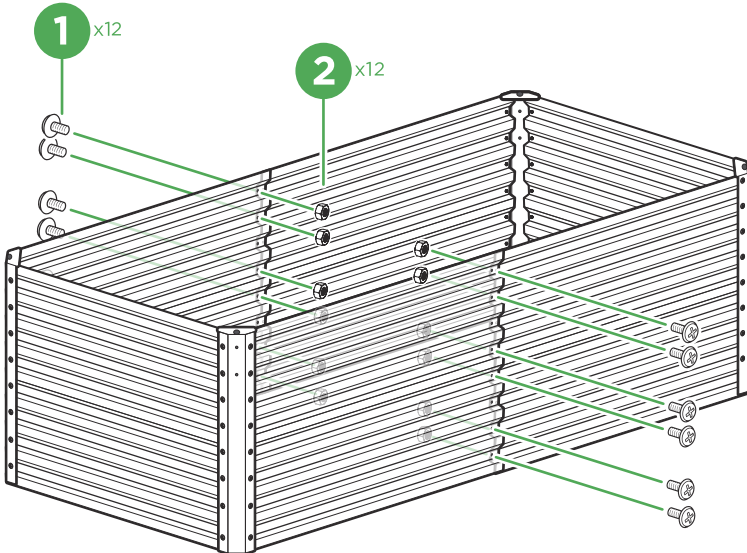
3

Connect two (B) side panels to two (C) brackets assemblies with sixteen (#1) screws, and secure with sixteen (#2) M03 nuts. Repeat with the other end.



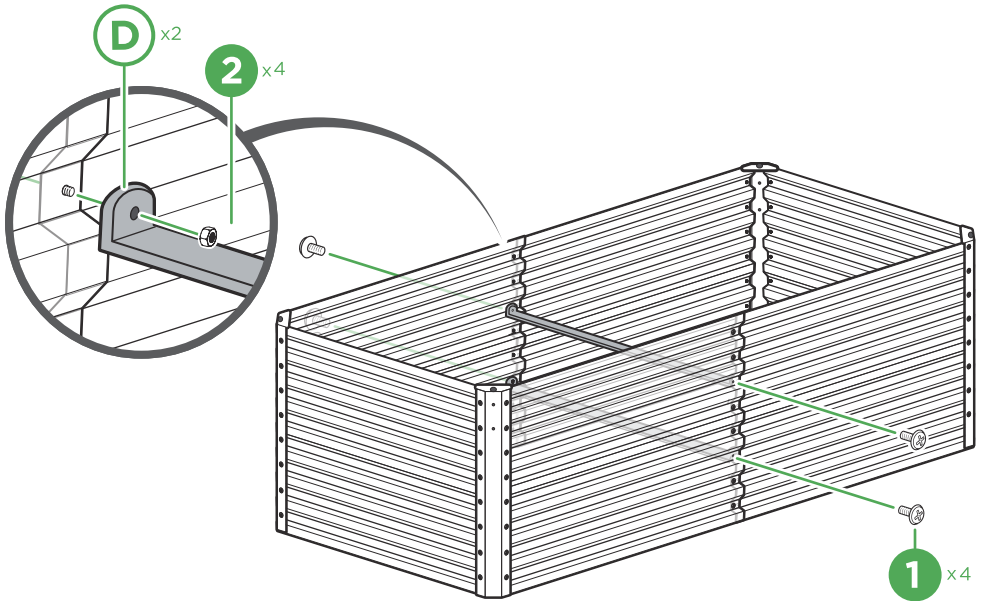
4

Overlap the two halves of the garden bed, then connect twelve (#1) screws and twelve (#2) M03 nuts to secure. Keep the third and sixth set of connector holes empty.



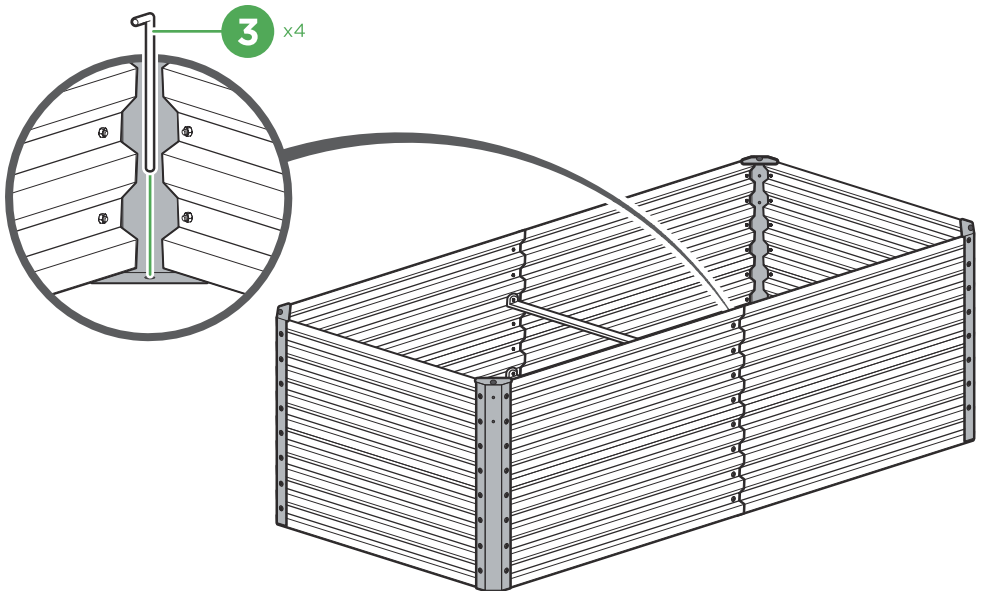
5

Connect the two (D) bracing rods with four (#1) screws and four (#2) M03 nuts



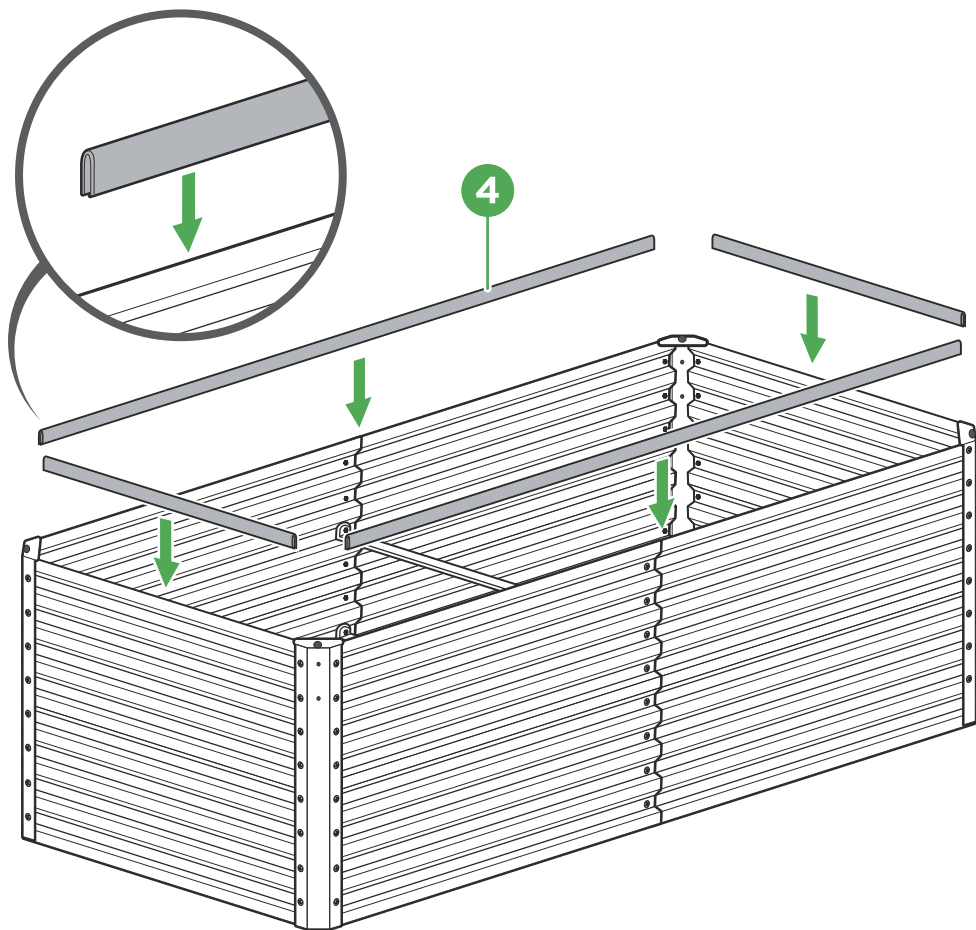
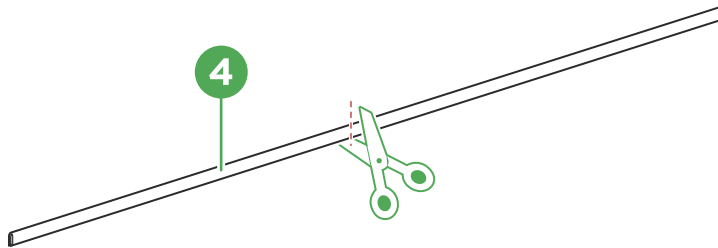
6

Use four (#3) stakes to secure the brackets, with one stake per bracket.



7

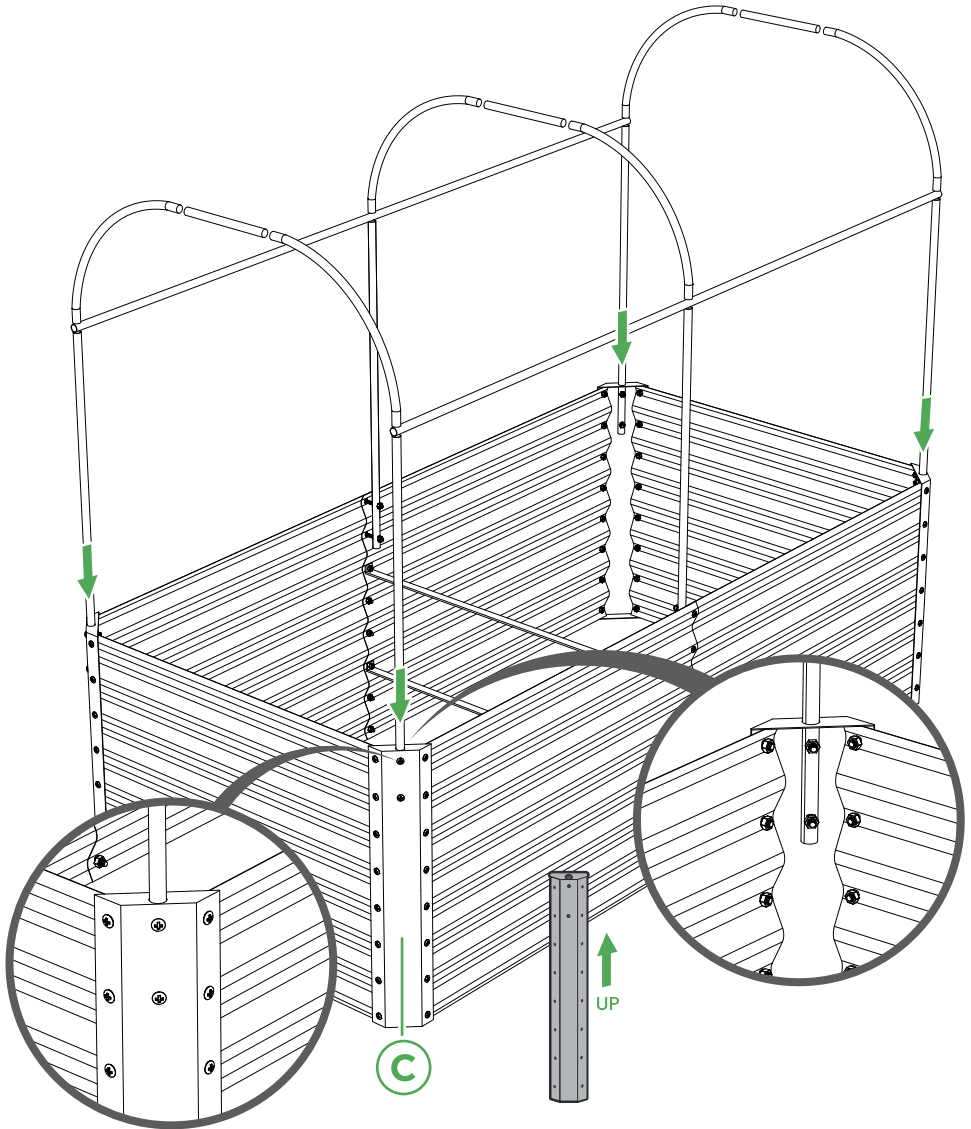
Measure and cut the (#4) rubber bumper into four pieces to match the length/width of the sides of the garden bed, then slide them on to the top edges.



EXTENDED DESIGN



Garden arches are not included in the metal raised garden bed package.



The (C) bracket includes additional holes for easy installation and securing of garden arches (sold separately). The maximum diameter of these holes is 17 mm. If connecting arches, the diameter of connecting tubes cannot exceed 17mm.

Garden arches can be bought at www.savanagarden.com.



SAVANA

Savana's line of raised planter beds is designed for quality and convenient use. We're here to help you have a truly fantastic gardening experience.

HELP CENTER

Have questions about your product? We're here to help.

hello@savanagarden.com

Visit us at:

www.savanagarden.com



Chat Support



Product Inquiry



Orders FAQ



Product Assembly



Shipping



Returns & Refunds