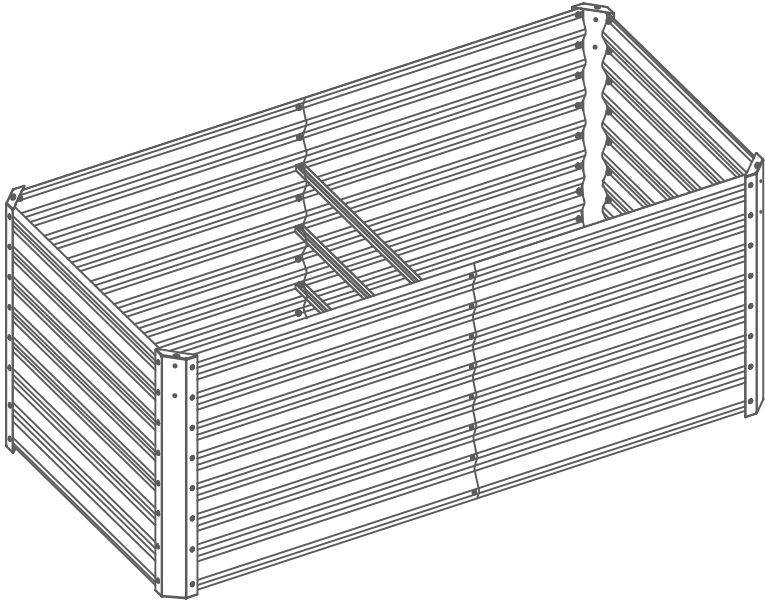


SAVANA



USER MANUAL

Raised Metal Garden Bed

Product Size: 48" x 96" x 24"

NOTICE

Please retain these instructions for future reference.

- Do not use as a step ladder or stand on any part of the product.
- Fasten all bolts, screws and knobs firmly before use.
- Note that some parts are heavy and have sharp edges.
- Make sure that all parts of this product are in good working condition before beginning to use it. If any parts are broken, damaged, worn out or missing, stop using this product until they are repaired or the factory's replacement parts are installed.
- Please follow this manual's installation and usage instructions, otherwise improper use may void the product warranty.

CAUTION

Please be aware that the metal panels on this unit may cause injury. We recommend using protective equipment such as gloves and closed toe shoes to avoid any accidents from happening!



HARDWARE

1 M6 X 10mm
SCREW



80 PCS

2 M03 NUTS



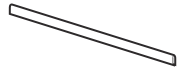
80 PCS

3 STAKE



4 PCS

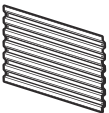
4 RUBBER
BUMPER



1 PC

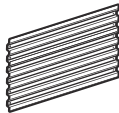
PARTS

A END PANEL
43.3" x 24"



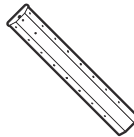
2 PCS

B SIDE PANEL
45.9" x 24"



4 PCS

C BRACKET



4 PCS

D BRACING ROD



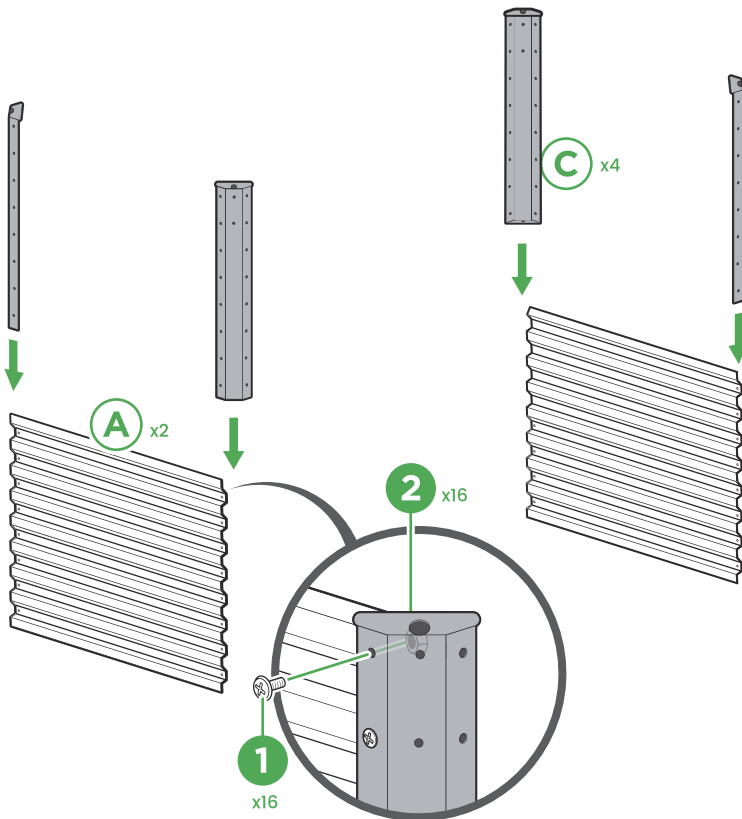
3 PCS

TOOLS & ASSEMBLY



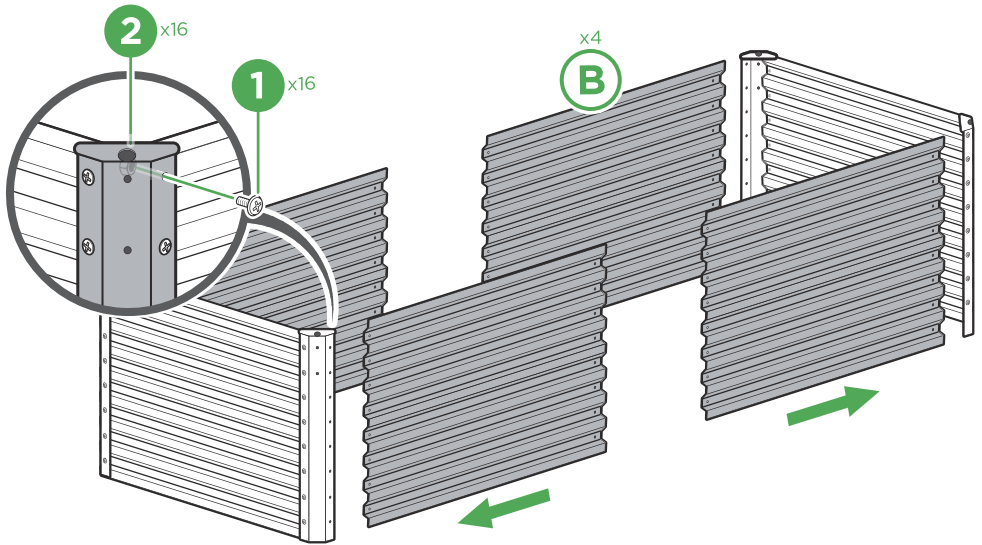
PRODUCT ASSEMBLY

- 1 Take out all of the pieces and lay them out.
- 2 Connect two (C) brackets to one (A) end panel with sixteen (#1) screws and secure with sixteen (#2) M03 nuts. Repeat with the other end.



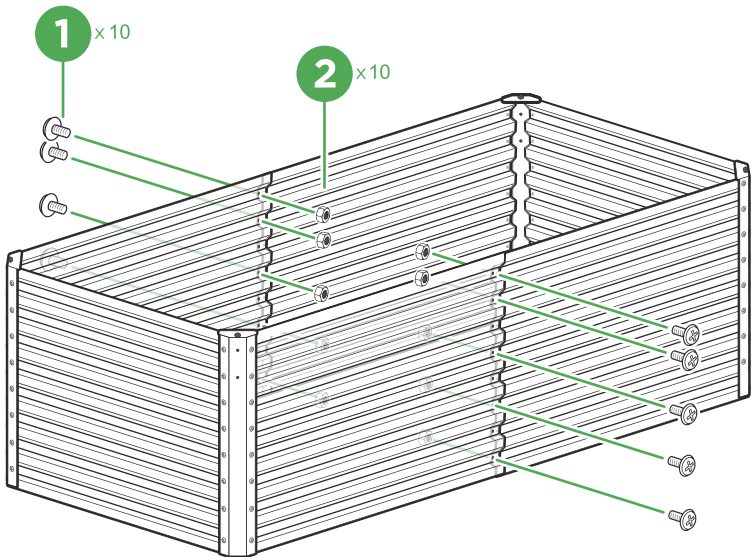
3

Connect two (B) side panels to two (C) brackets assemblies with sixteen (#1) screws, and secure with sixteen (#2) M03 nuts. Repeat with the other end.

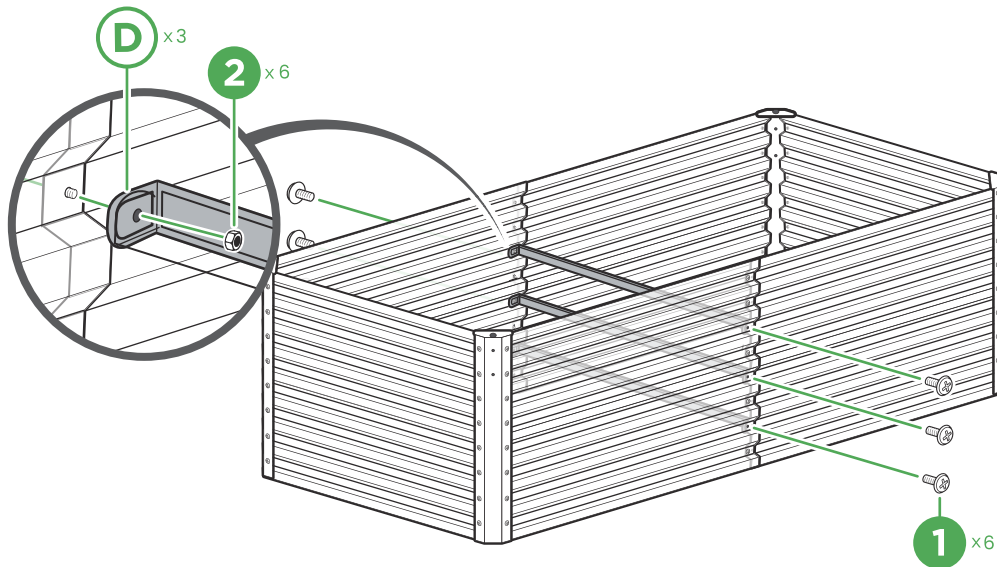


4

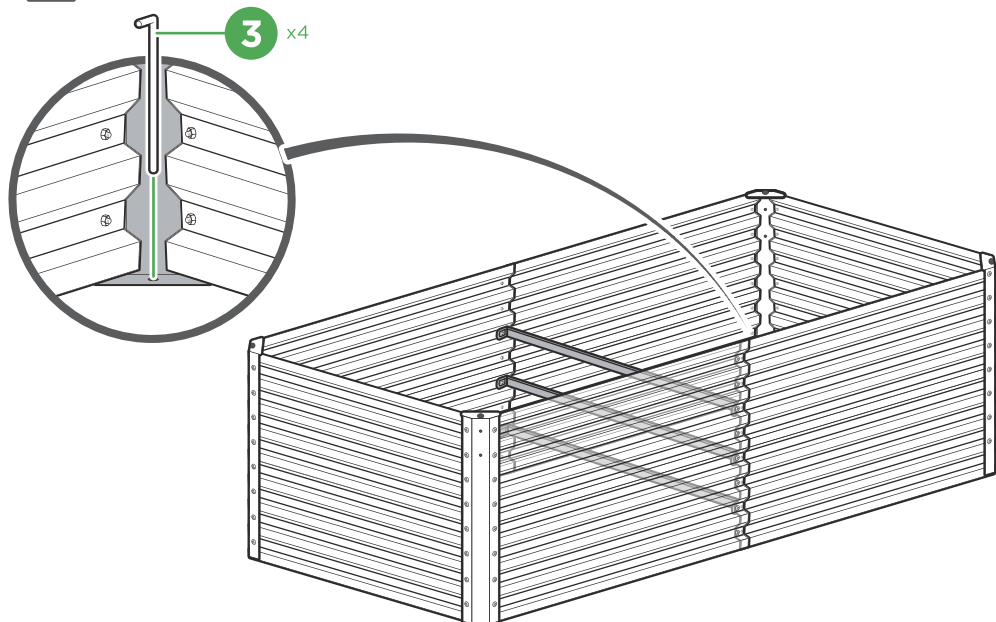
Overlap the two halves of the garden bed, then connect ten (#1) screws and ten (#2) M03 nuts to secure. Keep the third, fifth and seventh set of connector holes empty.



- 5** Fold the ends of the three (D) bracing rods upwards to create a right angle. Then, position them either forward or backward as shown in the picture, and use six (#1) screws and six (#2) M03 nuts to attach them to the side panels

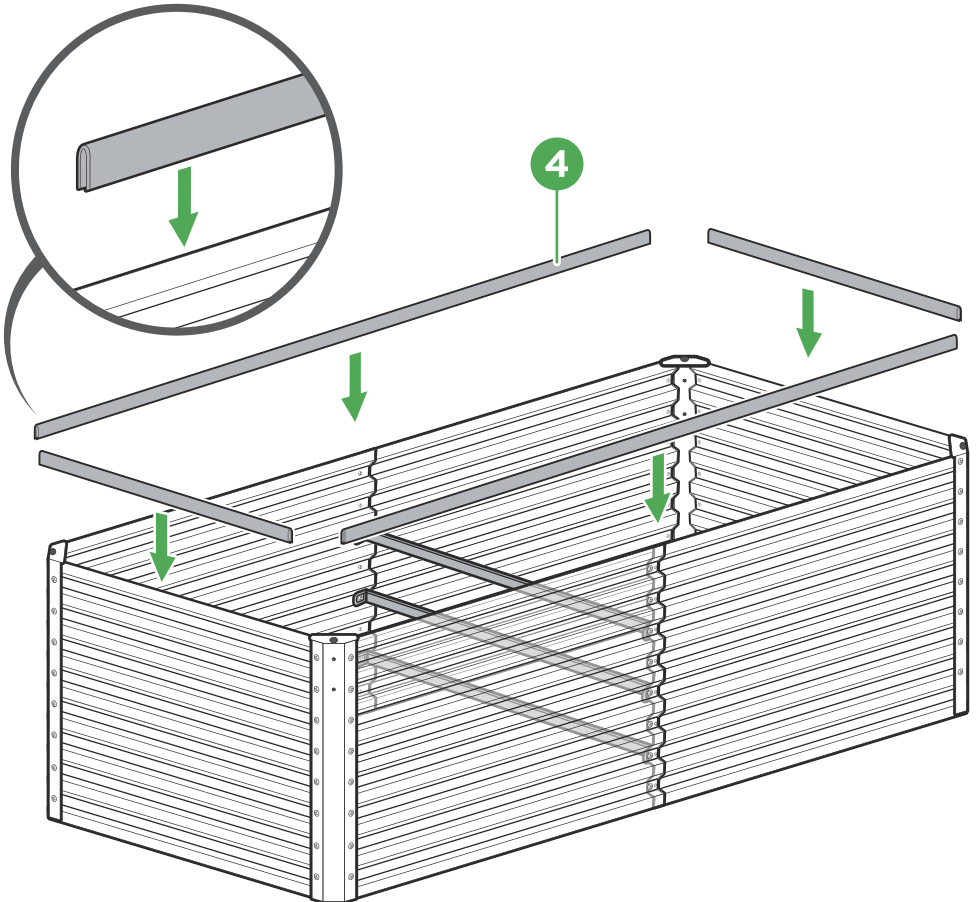
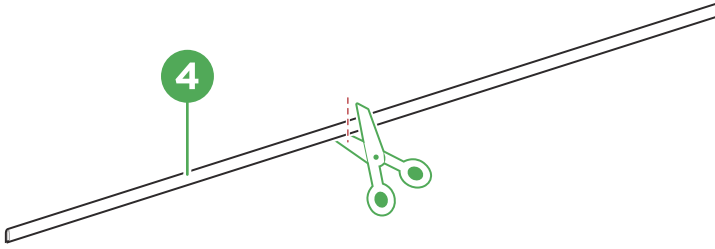


- 6** Use four (#3) stakes to secure the brackets, with one stake per bracket.



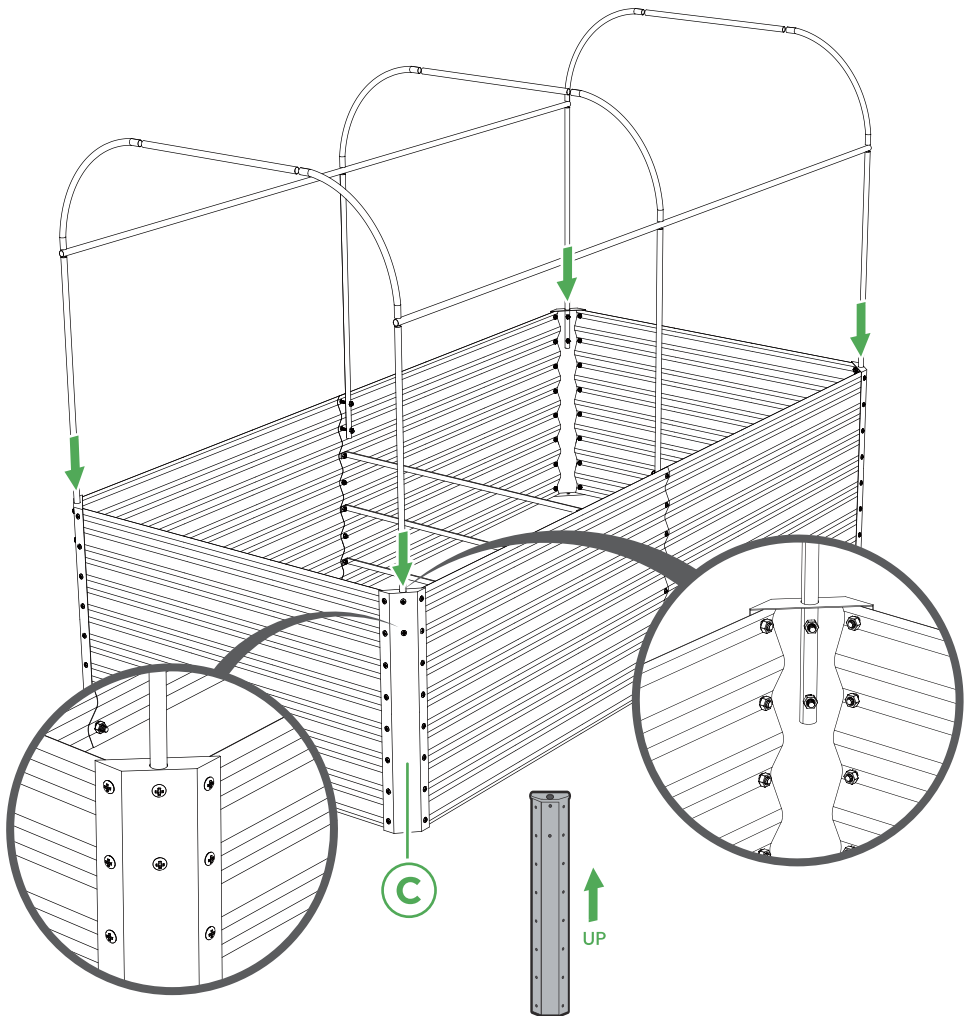
7

Measure and cut the (#4) rubber bumper into four pieces to match the length/width of the sides of the garden bed, then slide them on to the top edges.



EXTENDED DESIGN

 Garden arches are not included in the raised garden bed



The (c) bracket has extra holes that make it easy to install and secure garden arches (which are not included and sold separately). These holes can accommodate a maximum diameter of 17mm. If you are connecting arches, make sure that the diameter of the connecting tubes does not exceed 17mm.

Garden arches can be bought at www.savanagarden.com.





SAVANA

Savana's line of raised planter beds are designed for quality and convenient use. We're here to help you have a truly fantastic gardening experience.

HELP CENTER

Have question to our product? We're here to help

hello@savanagarden.com

Visit us at:

www.savanagarden.com



Chat Support



Product Inquiry



Orders FAQ



Product Assembly



Shipping



Returns & Refunds