

Operation

● Display info

SDM230A, equipped with a 6+1 register counter, measures and displays active energy (kWh).

SDM230D, equipped with a LCD display, measures and displays active energy (kWh). The initial reading starts from 0000.00 (4+2), once it is go up to 9999.99, the reading will change to 00000.0 (5+1). The max. reading is 99999.9kWh.

SDM230DR with a white backlit LCD screen for perfect reading is used to measure single phase energy (kWh) and power (W). The unit provides also a resettable partial energy.

SDM230Bi. Equipped with white backlit LCD, the unit measures and displays bi-direction active energy (kWh) and power (W). Resettable partial energy function is also available.

● Initialization display

When SDM230DR and SDM230Bi is powered on, it will initialize and do self-checking:



● Buttons

There are two buttons on the front panel of SDM230DR and SDM230Bi:



This button is used to scroll the information pages.



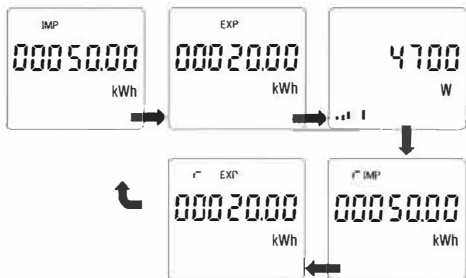
This button is used to reset the partial energy information.

● Scroll display

SDM230DR Information Pages:



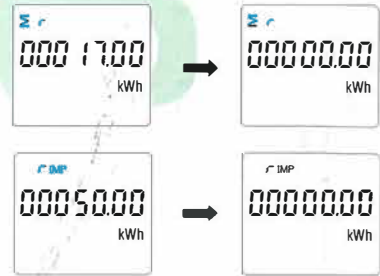
SDM230Bi Information Pages:



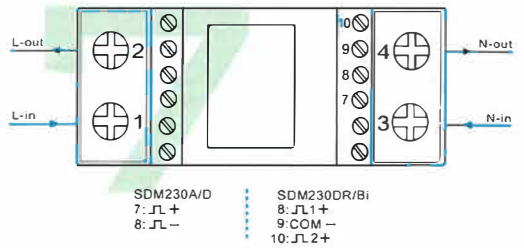
Resettable Energy

Both SDM230DR and SDM230Bi provide a function of resettable energy.

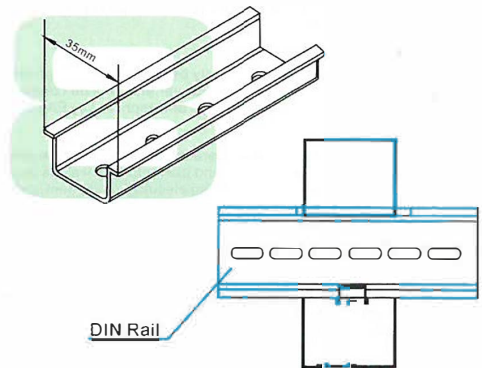
User can press the right button  for 3 seconds to reset the partial energy.



Wiring Diagram



Installation Diagram



Conformity Declaration (MID version meters only)

We Jiaying Eastron Electronic Instruments Co., Ltd. Declare under our sole responsibility as manufacturer that the single phase active import/export (kWh) indoor electricity meter SDM230* correspond to the production model described in the EC-type examination certificate and to the requirements of the Directive 2004/22/EC type Examination Certificate no.0120/SGS0206 Identification Number of the Nb0120