

Data Sheet

2018 v1.0

SDM120DB DIN Rail kWh Power Meter

- MID B&D Approved
- Class B (kWh)
- 1000IMP/kWh Pulsed Output
- 1 Module Dinrail Mounted (35mm)
- Digital Backlit Display



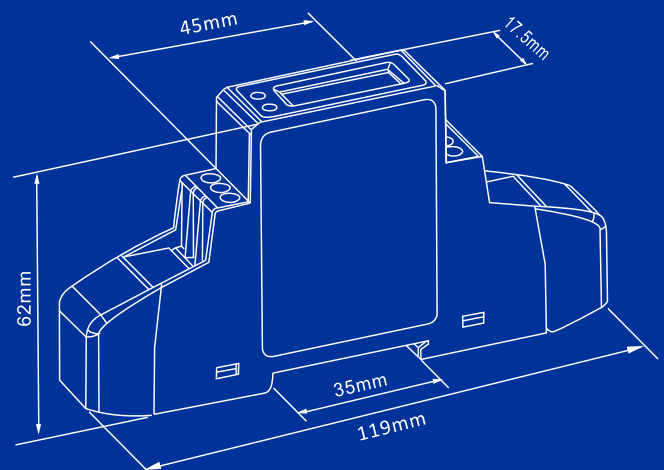
SDM120DB Single Phase kWh Meter

The SDM120 family of meters have been produced to offer a low-cost solution to metering low Amp circuits. The SDM120 range work directly connected to a maximum load 45A AC circuit.

All versions of the SDM120 meter come with a pulsed output for remote monitoring.

All SDM120 meters are housed in a 1U Dinrail mounted housing. They also come complete with sealable terminal covers to stop any tampering with the connections.

Dimensions



Safety Instructions

The following safety instructions apply to all versions of the SDM120 range of power meters:

Information for your own safety

This manual does not contain all of the safety measures for operation of the equipment (module, device) because special operating conditions, and local code requirements or regulations may necessitate further measures. However, it does contain information which must be read for your personal safety and to avoid material damages. This information is highlighted by a warning triangle and is represented as follows, depending on the degree of potential danger.

Qualified personnel

Operation of the equipment described in this manual may only be performed by qualified personnel. Qualified personnel means a person who has been authorised to commission, start up, ground and label devices, systems and circuits according to Safety and Regulatory standards.

Use for the intended purpose

The equipment must only be used for the application specified in the datasheet and the user manual.

Proper handling

The prerequisites for reliable operation of the product are proper transport, storage, installation and assembly, as well as proper operation and maintenance. When operating electrical equipment, certain parts of the equipment automatically carry dangerous voltages. Improper handling can therefore result in serious injuries or material damage. Use only insulating tools. Do not connect while circuit is live (hot). Place the meter only in dry surroundings. Do not mount the meter in an explosive area or expose the meter to dust, mildew and insects. Make sure the used wires are suitable for the maximum current of this meter. Make sure the AC wires are connected correctly before activating the current/voltage to the meter. Do not connect the meter to a 3 phase - 400VAC - network. Do not touch the meter connecting clamps directly with your bare hands, with metal, blank wire or other material as you may get an electrical shock. Make sure the protection cover is placed after installation. Installation, maintenance and reparation should only be done by qualified personnel. Never break the seals and open the front cover as this might influence the functionality of the meter, and will void any warranty. Do not drop, or allow physical impact to the meter as there are high precision components inside that may break.

SDM120DB Digital Kilowatt Hour Meter - Single Phase

Measured Parameters

The SDM120DB monitors and displays Imported Active Energy (kWh) of a single phase two wire (1p2w) system.

Technical Data

| | |
|------------------------------|----------------------|
| Certification | MID B&D Approved |
| Operating Humidity | ≤ 75% |
| Storage Humidity | ≤ 95% |
| Operating Temperature | -20°C - +50°C |
| Storage Temperature | -30°C - +70°C |
| International Standard | IEC 62053-21 |
| Accuracy Class | 1 |
| Mounting | DIN rail (DIN 43880) |
| Sealing | IP51 Indoor |
| Nominal Voltage Input | (Ph+N) 230V AC |
| Max Continuous Voltage | 120% of nominal |
| AC Voltage Withstand | 4KV for 1 minute |
| Impulse Voltage Withstand | 6KV-1.2μS |
| Reference Input current | 0.25A |
| Base Input Current (Ib) | 5A |
| Maximum Input Current (Imax) | 45A AC |
| Max Continuous Current | 120% of nominal |
| Operational Current Range | 0.4% Ib-Imax |
| Over current withstand | 20Imax for 0.01s |
| Frequency | 50Hz (±10%) |
| Power Consumption | ≤ 2W/10VA/phase |
| Pulsed Output | 1000IMP/kWh |

Wiring Diagram

