

Data Sheet

2017 v1.0

QC3N1 Plug In Current Transformers

- 5A Plug In Connection
- Multiple Sizes Available
- Simple, Error Free Connection
- CE Approved
- Looms Available
- 5A Secondary



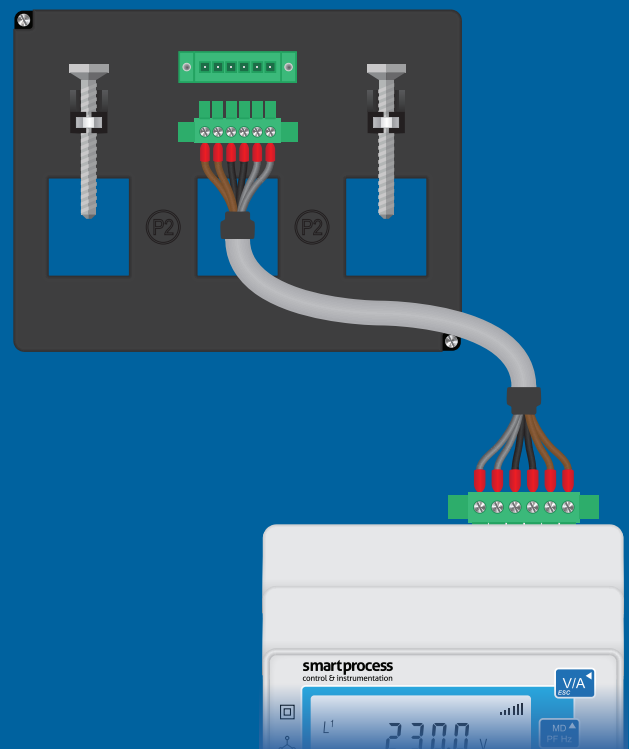
QC3N1 Plug In Current Transformers

The 3-in-1 current transformer range is for use with the Smart Process RJ12 meters which combines three traditional current transformers in one moulding case with a RJ12 connection for simple and easy error free installation.

3-in-1 current transformers can be directly installed next to a three-phase moulded case circuit breaker, thus saving installation time where fitting three standard individual current transformers would be required.

In addition to the 3-in-1 current transformers, there is also a solid core single pole current transformer available for single phase applications. All current transformers are supplied with a 1.5m connecting cable, with RJ12 connector termination at each end.

The RJ12 current transformers are compatible with the following models: SMARTPANEL X835 RJ12; SMARTRAIL X835 RJ12; SMARTRAIL XCTM.

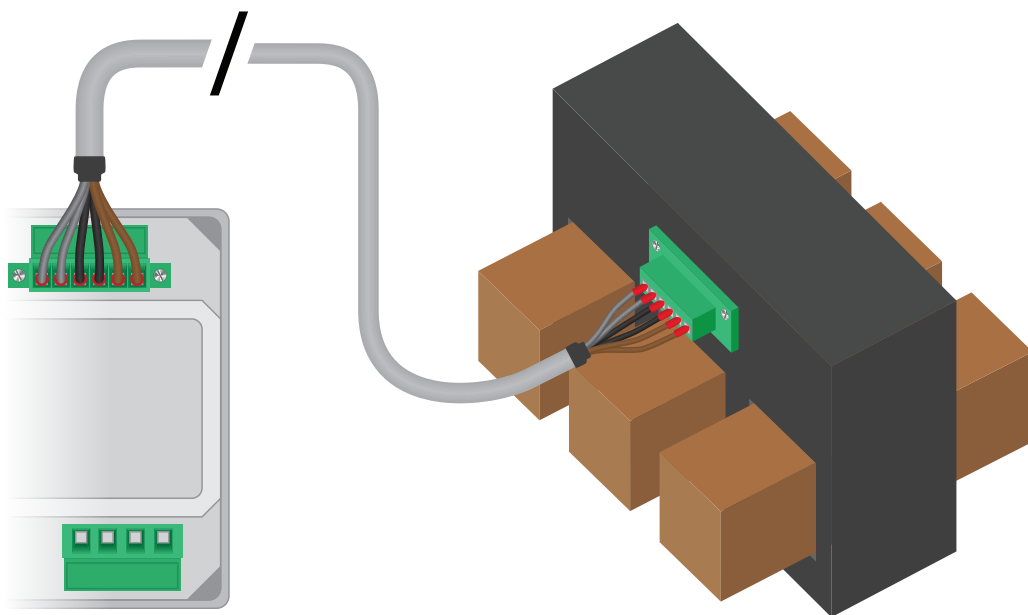
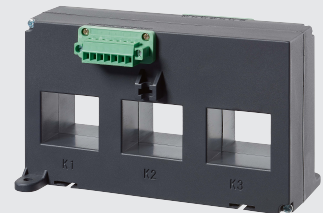
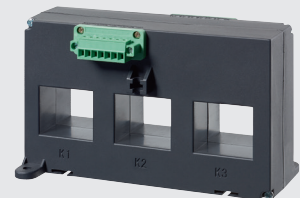


Specification

System Voltage	720V maximum
Test Voltage	3kV for 1 minute
System Frequency	50Hz or 60Hz
Secondary Output	5A AC rms. per CT
Overload Withstand	1.2x rated current continuously
Enclosure	Flame retardant grade classified UL94V-0
Aperture Hole Centres (3-IN-1 CTs only)	35mm / 45mm / 70mm
Operating Temperature	-20°C to +85°C
Compliant With Accuracy	IEC/EN 60044-1 Class 0.5, Class 1

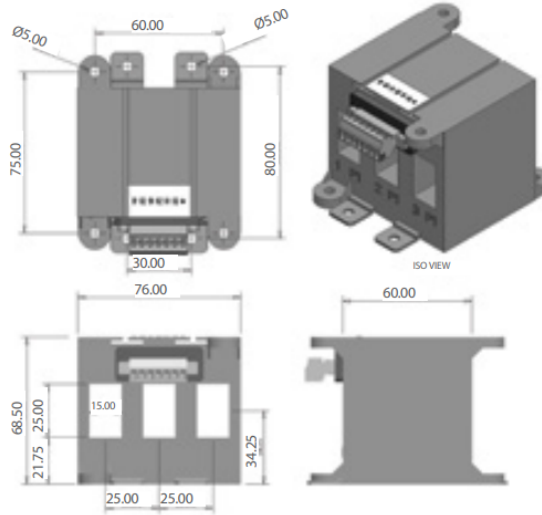
Models / Ordering Codes

Product Codes	Primary Current	VA at Class 1	VA at Class 0.5	Aperture (WxH)
QC3N1-25-60A	60	1	-	3x 15x25
QC3N1-25-100A	100	1.5	-	3x 15x25
QC3N1-25-125A	125	1.5	-	3x 15x25
QC3N1-25-160A	160	1.5	1.5	3x 15x25
QC3N1-35-100A	100A	1.5	-	3x 21 x 25mm
QC3N1-35-125A	125A	1.5	-	3x 21 x 25mm
QC3N1-35-160A	160A	1.5	1.5	3x 21 x 25mm
QC3N1-35-250A	250A	1.5	1.5	3x 21 x 25mm
QC3N1-45-250A	250A	2.5	-	3x 32 x 27mm
QC3N1-45-400A	400A	2.5	-	3x 32 x 27mm
QC3N1-45-600A	600A	5.0	2.5	3x 32 x 27mm

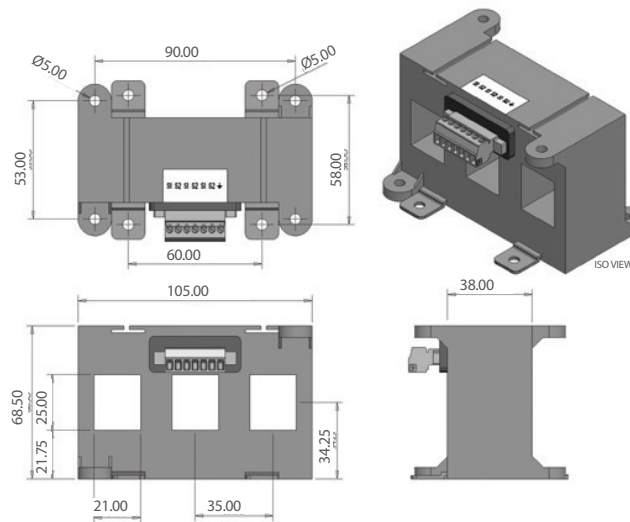


Dimensions

QC3N1-25



QC3N1-35



QC3N1-45

