

- Three Phase 1/5A Current Transformer operated
- MID B+D Certified
- Accuracy Class 1 (Active Energy)
- Bi-directional Measurement for kW and kWh
- Fixed Pulsed Output
- RS485 Modbus Option SDM72CT
- Active Energy and Power Measurement
- Resettable energy counter
- Low Cost

The SDM72CT-DR/BI is an entry level three-phase energy monitoring solution with a fixed pulsed output or RS485 RTU Modbus (SDM72CT-M) This product will only measure and display total active energy (kWh) and Power (Watts) with Optional partial reset energy (SDM72CT-DR) Or the Bi-directional version which will read Import/Export and Total Active Energy (kWh) (SDM72CT-BI).Housed for DIN rail mounting, IP51 protection and 1/5A current transformer operated. Certified in the UK according to EU Directive 2014/32/EU. MID Certificate number 0120 / SGS0213.



Specification table

Specification	
Model	72CT-D/DR/BI
Nominal voltage(Un)	3x230/400 V ac
Operational voltage	80%~120% of Un
Insulation capabilities	
- AC voltage withstand	4KV for 1 minute
- Impulse voltage withstand	6KV-1.2μS
Basic current (Ib)	5A
Maximum rated current (Imax)	6A
Operational current range	0.4% Ib-Imax
Over current withstand	20 Imax for 0.01s
Operational frequency range	50 or 60Hz
Power consumption per phase	≤ 2W/10VA
Pulse output	1000imp/kWh
Display	LCD
Max reading	999999.9 kWh
Performance criteria	
Operating humidity	≤90%
Storage humidity	≤ 95%
Operating temperature	-25°C - +55°C
Storage temperature	-40°C - +70°C
Reference temperature	23°C± 2°C
International standard	IEC 62053-21 / EN50470-1/3

Accuracy class	Class1/Class B
Installation category	CAT III
Mechanical environment	M1
Electromagnetic environment	E2
Degree of pollution	2
Protection against penetration of dust and water	IP51 (indoor)
Insulating encased meter of protective class	II
Electrostatic discharges	8kV contact / 15kV air gap
Electromagnetic HF fields	IEC 61000-4-3
Electrical fast transients	4kV
Surge	4kV
Radiated & conducted emissions	EN 55022

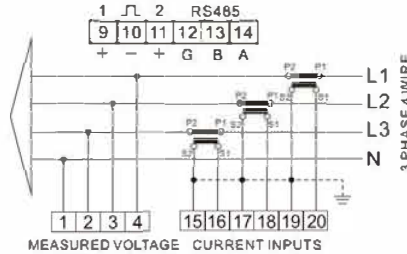
Modbus	
Bus type	RS485(semi-duplex)
Protocol	Modbus RTU
Baud rate	1200/2400/4800/9600bps
Address range	1-247
Max. Bus loading	64pcs
Communication distance	1000M
Parity	EVEN/ODD/NONE
Data bit	8
Stop bit	1

Smart Process & Control LTD

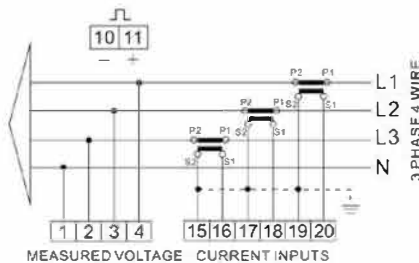
Unit 11, Totman Close, Brook Road Industrial Estate, Rayleigh, Essex, SS6 7UZ

Telephone: 01268 773422 - Website: www.smartprocess.co.uk - Email: enquiry@smartprocess.co.uk

Wiring Configuration



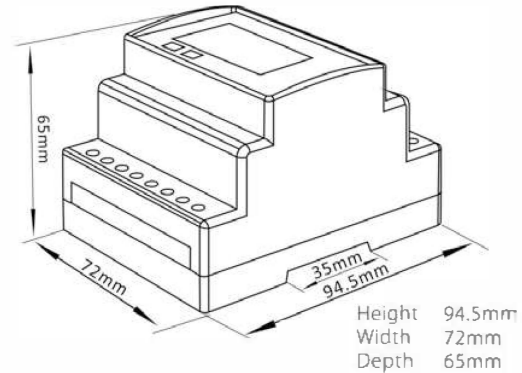
SDM72CT-M



SDM72CT-DR

SDM72CT-BI

Dimension Drawing



Ordering options

Meter Type	Description of Meter
SDM72CT-DR	3P4W, 3X230(400)V, Active energy (kWh) + active power (W) Resettable partial energy, Pulse output, Class 1.0 Accuracy, 72mm 4 module width, Din rail mounting, 1A/5A CT operated, Class 1.0 accuracy.
SDM72CT-BI	3P4W, 3X230(400)V, Active energy (kWh) + active power (W), Bi-directional measurement (Import & export), Pulse output, Class 1.0 Accuracy, 72mm 4 module width, Din rail mounting, 1A/5A CT operated, Class 1.0 accuracy.
SDM72CT-M	2P3W, 3P4W, 3X230(400)V, Measures active energy & power Bi-directional measurement IMP & EXP Resettable partial energy Pulse output RS485 Modbus RTU, 1A/5A CT operated, Accuracy better than class 1/B.

Conformity References

Electromagnetic Compatibility: EN61326-1:2013 & EN61326-2-3:2013

Low Voltage Directive: EN61010-1-2010 & EN61010-2-30-2010

MID DIRECTIVE: 2014/32/EU

Smart Process & Control LTD

Unit 11, Totman Close, Brook Road Industrial Estate, Rayleigh, Essex, SS6 7UZ

Telephone: 01268 773422 - Website: www.smartprocess.co.uk - Email: enquiry@smartprocess.co.uk