

Data Sheet

2018 v1.0

SDM630MV CT DIN Rail Multifunction Power Meter

- Single & Three Phase Networks
- Import / Export kWh
- Built In Dual Pulsed Outputs
- Built In RS485 Modbus RTU
- Millivolt Secondary Current Input



SDM630MV CT Multifunction Power Meter

The SDM630MV CT is a new generation modern design power monitor that will measure and display electrical power quality parameters. It has been engineered to cover most applications (Single Phase and Three Phase networks / Built in Pulsed and RS485 Modbus / Import and Export kWh), replacing the need for several different models of this power meter.

The SDM630MV CT is produced to the highest quality and utilizes the latest microprocessor and technology. It has a backlit display and 16 different measuring parameters. This includes a negative power reading to indicate reversal of CT installation or connection. With built in pulsed outputs and RS485 Modbus RTU it is fully compatible for integration with BMS and remote monitoring systems.

This particular model accommodates millivolt current transformers for retro-fitting applications. The 333mV output from the CT is much safer than a traditional 5A output.

Parameters

- Phase to Neutral Voltage (V)
- Phase Current (A)
- Voltage Total Harmonic Distortion (U%THD)
- Current Total Harmonic Distortion (I%THD)
- Frequency (Hz)
- Power Factor (PF)
- Current Max Demand (MD A)
- Power Max Demand (MD kW)
- Active Power (kW)
- Reactive Power (kVA_r)
- Apparent Power (kVA)
- Import Active Energy (kWh)
- Export Active Energy (kWh)
- Total Active Energy (kWh)
- Import Reactive Energy (kVA_rh)
- Export Reactive Energy (kVA_rh)
- Total Reactive Energy (kVA_rh)

Specifications

Measured Parameters

The unit can monitor and display the following parameters of a single phase two wire (1P2W), three phase three wire (3P3W) or three phase four wire (3P4W) system.

Voltage and Current

- Phase to neutral voltages 100 to 289V AC (not for 3P3W supplies).
- Voltages between phases 173 to 500V AC (3p supplies only).
- Percentage total voltage harmonic distortion (THD%) for each phase to N (not for 3P3W supplies).
- Percentage voltage THD% between phases (three phase supplies only).
- Current THD% for each phase

Power factor and Frequency and Max. Demand

- Frequency in Hz
- Instantaneous power:
- Power 0 to 3600 MW
- Reactive power 0 to 3600 MVAR
- Volt-amps 0 to 3600 MVA
- Maximum demanded power since last Demand reset Power factor
- Maximum neutral demand current, since the last Demand reset (for three phase supplies only)

Energy Measurements

| | |
|-----------------------------------|----------------------|
| Imported/Exported active energy | 0 to 9999999.9 kWh |
| Imported/Exported reactive energy | 0 to 9999999.9 kVArh |
| Total active energy | 0 to 9999999.9 kWh |
| Total reactive energy | 0 to 9999999.9 kVArh |

Measured Inputs

Voltage inputs through 4-way fixed connector with 2.5mm² stranded wire capacity. single phase two wire (1P2W), three phase three wire (3P3W) or three phase four wire (3P4W) unbalanced. Line frequency measured from L1 voltage or L3 voltage. Three inputs (six physical terminals) with 2.5mm² stranded wire capacity for connection of external CTs. Nominal rated input 333mV AC.

| | |
|------------------------|---|
| Nominal Voltage Input | 100-289V AC (Ph+N) or 173-500V AC (Ph+Ph) |
| Max Continuous Voltage | 120% of Nominal |
| Nominal Input | 333mV AC |
| Max Continuous | 120% of nominal |
| Frequency | 50Hz ±10% |

Accuracy

| | |
|-----------------------------|--|
| Voltage | 0-5% of range maximum |
| Current | 0-5% of nominal |
| Frequency | 0-2% of mid-frequency |
| Power factor | 1% of unity (0.01) |
| Active power (W) | ±1% of range maximum |
| Reactive power (VAr) | ±1% of range maximum |
| Apparent power (VA) | ±1% of range maximum |
| Active energy (Wh) | Class 1 IEC 62053-21 |
| Reactive energy (VARh) | ±1% of range maximum |
| Total harmonic distortion | 1% up to 31st harmonic |
| Response time to step input | 1s, typical, to >99% of final reading, at 50 Hz. |

Auxiliary Supply

Two-way fixed connector with 2.5mm² stranded wire capacity. 85-275V AC 50Hz ±10% or 120-380V DC ±20%. Consumption <2W 10VA.

| | |
|-----------------|------------------------------------|
| Operating range | 87-275V AC ±10% / 120-380V DC ±20% |
|-----------------|------------------------------------|

Interfaces for External Monitoring

Three interfaces are provided:

- RS485 communication channel that can be programmed for Modbus RTU protocol
- Relay output indicating real-time measured energy (configurable)
- Pulse output 3200IMP/kWh (not configurable)

The Modbus configuration (baud rate etc.) and the pulse relay output assignments (kW/kVAh, import/export etc.) are configured through the set-up screens.

Pulse Output

Opto-coupler with potential free SPST-NO Contact (Contact rating - Voltage: 5-27V DC, Current: Imin 2mA and Imax 27mA DC). The pulse output can be set to generate pulses to represent kWh or kVAh.

Rate can be set to generate 1 pulse per:

0.01 = 10 Wh/VArh
0.1 = 100 Wh/VArh
1 = 1 kWh/kVAh
10 = 10 kWh/kVAh
100 = 100 kWh/kVAh

Pulse width 200/100/60 ms.

RS485 Output for Modbus RTU

For Modbus RTU, the following RS485 communication parameters can be configured from the set-up menu:

Baud Bate: 2400, 4800, 9600, 19200, 38400

Parity: None (default) / Odd / Even

Stop Bits: 1 or 2

RS485 Network Address: 3 Digit Number - 001 to 247

Modbus™ Word order Hi/Lo byte order is set automatically to normal or reverse. It cannot be configured from the set-up menu.

Reference Conditions of Influence Quantities

Influence Quantities are variables that affect measurement errors to a minor degree. Accuracy is verified under nominal value (within the specified tolerance) of these conditions.

| | |
|-----------------------------------|--|
| Ambient temperature | 23°C ±1°C |
| Input waveform | 50 or 60Hz ±2% |
| Input waveform | Sinusoidal (distortion factor < 0.005) |
| Auxiliary supply voltage | Nominal ±1% |
| Auxiliary supply frequency | Nominal ±1% |
| Auxiliary supply waveform (if AC) | Sinusoidal (distortion factor < 0.05) |
| Magnetic field of external origin | Terrestrial flux |

Environment

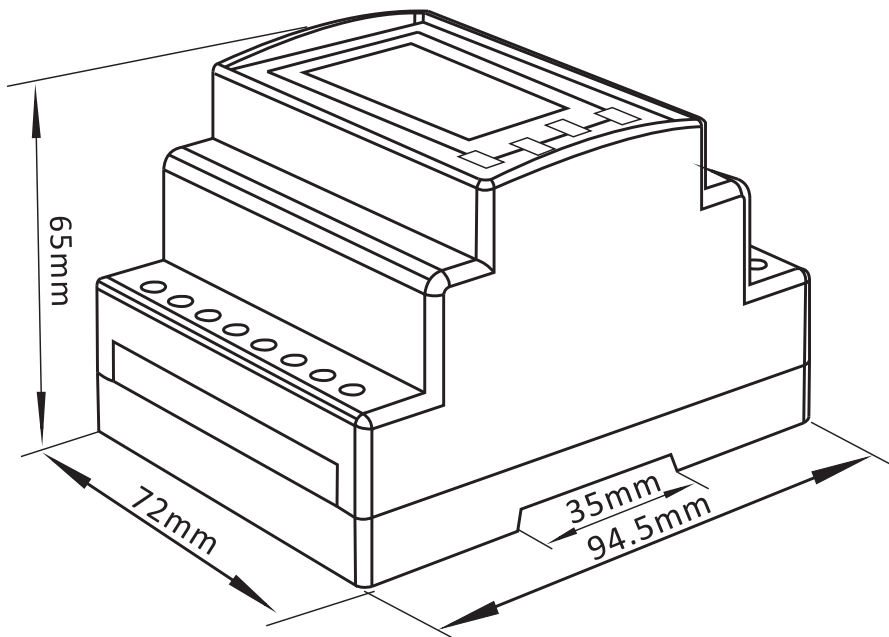
| | |
|-----------------------|---------------------------------|
| Operating temperature | -25°C to +55°C* |
| Storage temperature | -40°C to +70°C* |
| Relative humidity | 0 to 95%, non-condensing |
| Altitude | Up to 3000m |
| Warm up time | 1 minute |
| Vibration | 10Hz to 50Hz, IEC 60068-2-6, 2g |
| Shock | 30g in 3 planes |

*Maximum operating and storage temperatures are in the context of typical daily and seasonal variation.

Mechanics

| | |
|---------------------|----------------------------------|
| DIN rail dimensions | 72 x 94.5 mm (WxH) per DIN 43880 |
| Mounting | DIN rail (DIN 43880) |
| Sealing | IP51 indoor |
| Material | Self-extinguishing UL 94 V-0 |

Dimensions



Installation

