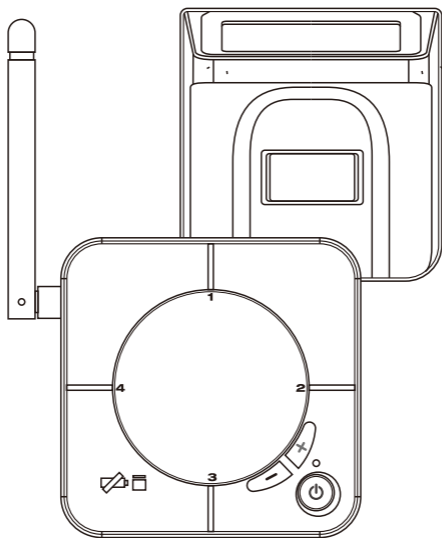


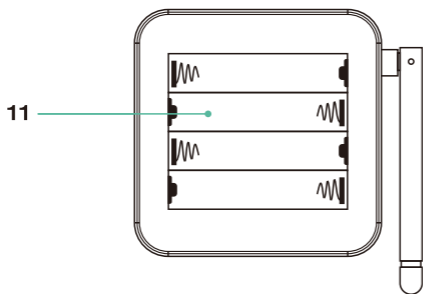
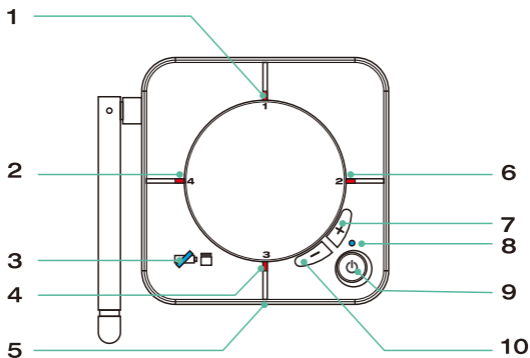
Wireless Driveway Alarm System User Manual



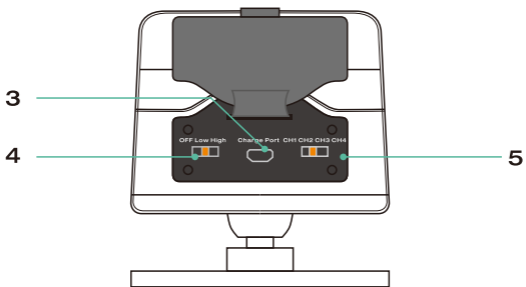
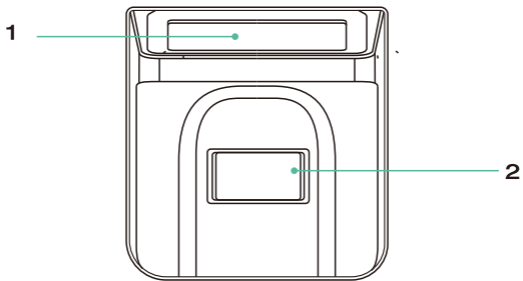
Notice:

1. The detector should be installed 3-5 feet above ground.
2. In order to avoid false alarm, please avoid objects like trees waving within 3 meters in the front of the detector.
3. Keep the PIR sensor from direct sunlight.
4. When there are multiple detectors connected, please keep them in different channels, eg: When there are 4 detectors connected, they should be at CH1 , CH2,CH3 and CH4 separately.

Product Overview and Button Functions:



- | | |
|--------------------------------|----------------------------|
| 1.Channel 1 indicator | 6.Channel 2 indicator |
| 2.Channel 4 indicator | 7.Volume+ |
| 3.Detector Low Power Indicator | 8.Receiver Power Indicator |
| 4.Channel 3 indicator | 9.Power Switch |
| 5.Micro USB Power In | 10.Volume- |
| | 11.Battery Case |

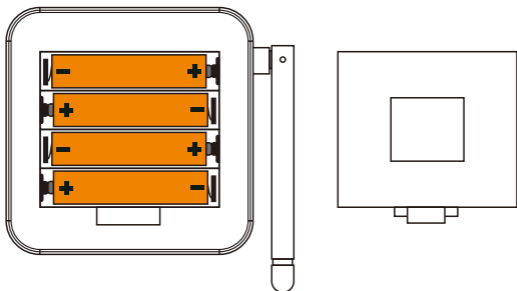


- 1.Solar Power Panel
- 2.PIR Sensor
- 3.Micro USB Charging Port
- 4.Power Switch (Sensitivity Adjustment)
- 5.Channel Selection

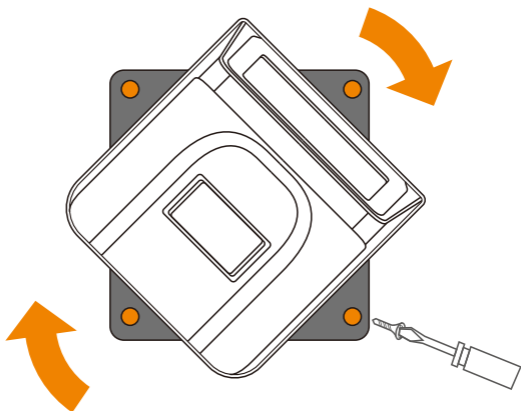
Installation and Common Function:

1. Load 4* AA batteries in the receiver and charge the detector.

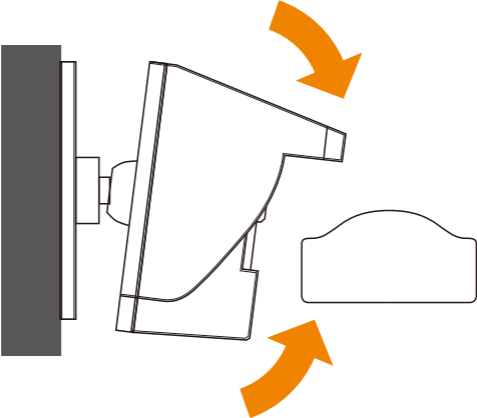
We recommend using external USB power supply to power the receiver.



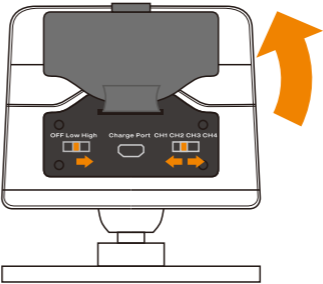
2. Twist the detector panel to expose the screw hole, use the included screws to install the detector in the designated place.



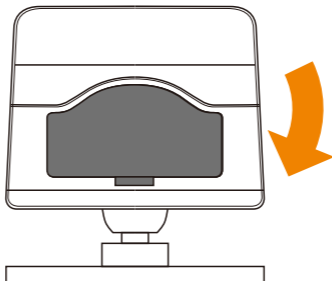
3. After installing, adjust the detector angle to ensure the detector covers the designated area.



4. Turn on the detector and adjust the sensitivity according to your need. With only one detector, any channel is OK.



5. Seal the cap on the detector.



Notice:

1. Before starting the installation, please charge the detector with DC 5V/1A external power supply.
2. With multiple detectors, please make sure all detectors are in different channels, or they might interference with each other.
3. You can use AA batteries or DC 5V/1A external power supply to power the receiver.

Benchmark Test for the Detector:

1. 50 seconds after the Detector starts up, when the PIR sensor is successfully triggered, the red indicator in the PIR sensor will flash once, indicating the detector is working normally.
2. 3 minutes after the Detector starts up, the red indicator in the PIR sensor will not flash anymore.

Detector Solar Charging Indicator:

Within 3 minutes after the Detector starts up, when the solar panel is working normally and charging the detector, the blue indicator will flash slowly.

3 minutes after the Detector starts up, the blue indicator will not light up anymore.

Detector Low Power Indicator:

1. When the detector runs low power, the receiver will prompt with notification "Channel#1/2/3/4 power low, please charge", the low power indicator on the receiver and the corresponding Channel indicator will flash slowly, the detector will keep working at this time.
2. When the detector runs out of power, the receiver will prompt with notification "Channel#1/2/3/4 power low, please charge", the low power indicator on the receiver and the corresponding Channel indicator will light up, the detector has already stopped working at this time.
3. When the detector is charged with Solar Panel/DC Power Adapter, the detector will resume working, the indicators will update status accordingly.

Receiver Low Power Indicator :

1. When the Receiver runs low power, the receiver will prompt with notification “Base Station power low” the power indicator on the receiver will flash slowly, the receiver will keep working at this time.
2. When the Receiver runs out of power, the receiver will prompt with notification “Base Station power low” , and the receiver will power off, please replace the battery or power the receiver with external power supply.

Notice:

For environmental protection, we recommend using external USB power supply to power the receiver.

Specification:

Product	Wireless Driveway Alarm System
Transmission	433MHz Wireless Transmission
Transmission Range	Max : 1/2 Mile
Channel	Max : 4 Channels
PIR Detection Range	High Sensitivity : 30 feet Low Sensitivity : 20 feet
PIR Detection Angle	Horizontal : 60 degree Vertical : 40 degree
Solar Power Panel	Max: 0.35W
Detector Low Power Notification	Supported
Waterproof	IP66
Detector Power Supply	1500 mAh Built-in Li-ion Battery
Detector Charging	DC 5V/1A
Receiver Power Supply	4 * AA Battery(Not Included)
Receiver External Power Supply	DC 5V/1A

Common Questions and Answers

Q: How much power will the solar power panel produce ? How long will it take to charge the detector ?

A:

The maximum power output of the solar power panel is 0.35W.

With straight sunshine, it will normally take about 3-7 days to fully charge the detector, depending on the sunlight strength.

Q: What's the maximum range of the alarm system?

A:

In open space with no obstacles, the maximum range between the detector and the receiver is over 1/2 Mile. Obstacles like walls, glasses and trees will affect the transmission distance.

Q: Will I be alerted when the detector power runs low ?

A:

When the detector power runs low, the low power indicator on the receiver will light up, please charge the detector with DC 5V/1A external power supply.

Q: Can I use DC 5V/1A external power supply instead of AA batteries to power the receiver?

A:

Yes, the receiver can be powered with AA battery or DC 5V/1A external power supply. With external power supply connected, the receiver will use external power supply as default even with batteries inserted.

If you have any other question, please feel free to contact us at

support@tguard.cc

