

# OPALO

# HANSEL STONE



**Resistant to temperature changes**

European Norm EN 14516



**Acoustic Insulating**

VDI 4100 and DIN 4109 norm



**Environmentally Friendly Packaging**



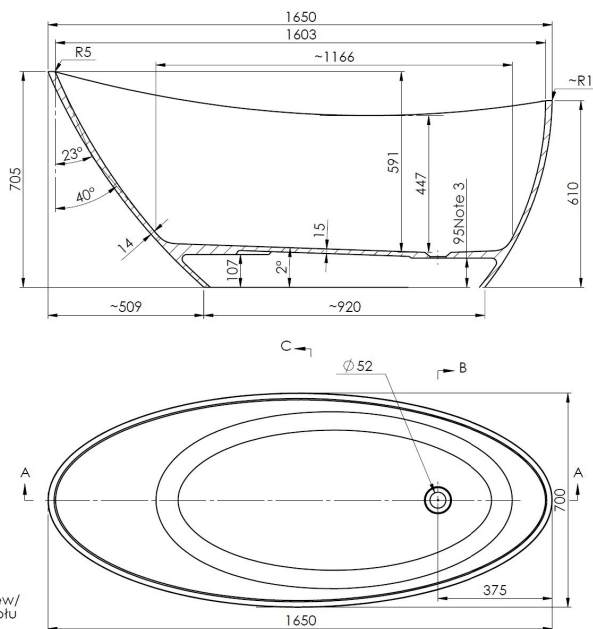
**Antibacterial surface finish**

ISO 22196



**CE Certified Product**

## Technical Drawings



## Specifications

<b>Item number:</b>	LIBBVANJ
<b>Installation type:</b>	Freestanding
<b>Shape:</b>	Oval
<b>Dimensions:</b>	L=1582mm, W=718mm, H=650mm
<b>Material:</b>	Mineral Composite
<b>Overflow:</b>	External
<b>Composite cover:</b>	No
<b>Net weight:</b>	84.5Kg
<b>Bathtub volume:</b>	400L