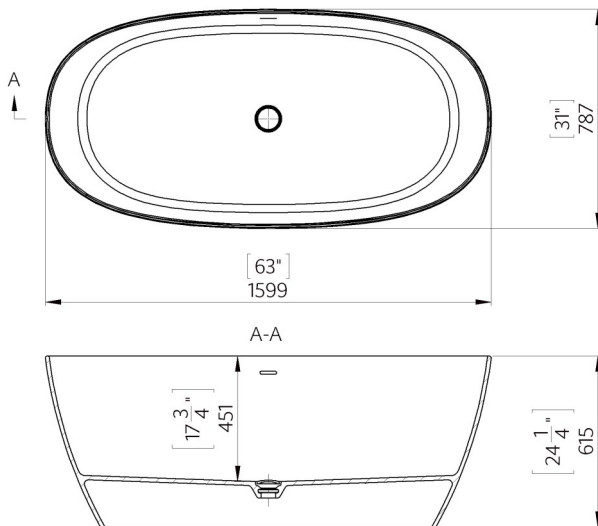


# VALENCIA



## Technical Drawings



# HANSEL STONE



**Resistant to temperature changes**

European Norm EN 14516



**Acoustic Insulating**

VDI 4100 and DIN 4109 norm



**Environmentally Friendly Packaging**



**Antibacterial surface finish**

ISO 22196



**CE Certified Product**

## Specifications

<b>Item number:</b>	LIBB0049
<b>Installation type:</b>	Freestanding
<b>Shape:</b>	Oval
<b>Dimensions:</b>	L=1600mm, W=787mm, H=615mm
<b>Material:</b>	Mineral Composite
<b>Overflow:</b>	Integrated
<b>Composite cover:</b>	No
<b>Net weight:</b>	122Kg
<b>Bathtub volume:</b>	335L