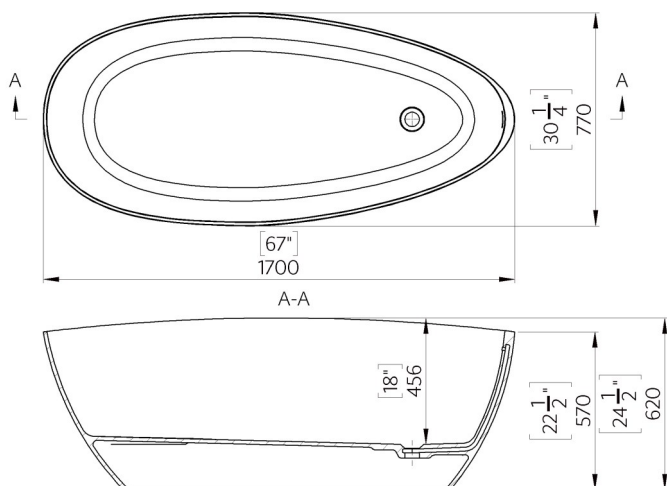


SOLTAR



Technical Drawings



HANSEL STONE



Resistant to temperature changes

European Norm EN 14516



Acoustic Insulating

VDI 4100 and DIN 4109 norm



Environmentally Friendly Packaging



Antibacterial surface finish

ISO 22196



CE Certified Product

Specifications

Item number:	LIBBRITA
Installation type:	Freestanding
Shape:	Oval
Dimensions:	L=1700mm, W=770mm, H=620mm
Material:	Mineral Composite
Overflow:	Integrated
Composite cover:	No
Net weight:	92Kg
Bathtub volume:	250L