

VACIO

HANSEL STONE



Resistant to temperature changes

European Norm EN 14516



Acoustic Insulating

VDI 4100 and DIN 4109 norm



Environmentally Friendly Packaging



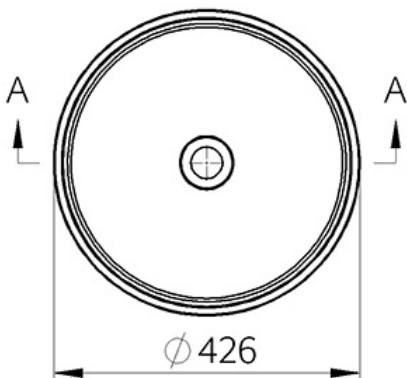
Antibacterial surface finish

ISO 22196



CE Certified Product

Technical Drawings



A-A



Specifications

Item number:	LIBWOLGAR
Installation type:	Countertop
Shape:	Circular
Dimensions:	L=426mm, W=426mm, H=152mm
Material:	Mineral Composite
Overflow:	Without
Composite cover:	No
Net weight:	8.8Kg
Bowl Position:	Centre