

LORCA



HANSEL STONE



Resistant to temperature changes

European Norm EN 14516



Acoustic Insulating

VDI 4100 and DIN 4109 norm



Environmentally Friendly Packaging



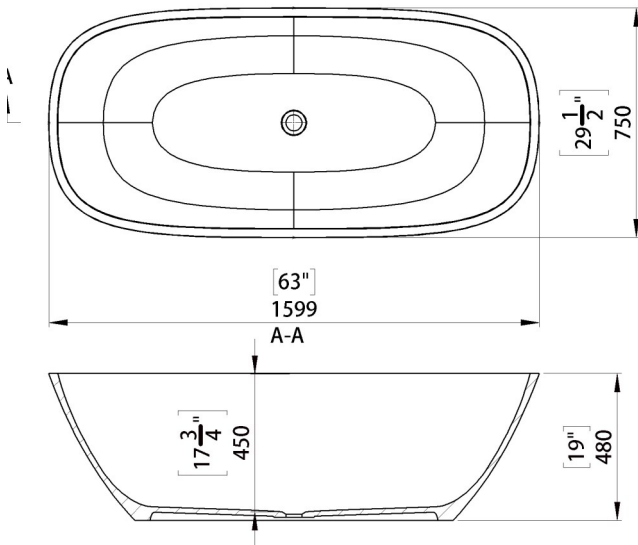
Antibacterial surface finish

ISO 22196



CE Certified Product

Technical Drawings



Specifications

Item number: LIBB0078

Installation type: Freestanding

Shape: Rectangle

Dimensions: L=1600mm, W=750mm, H=480mm

Material: Mineral Composite

Overflow: Without

Composite cover: No

Net weight: 98Kg

Bathtub volume: 264L