

IVA



HANSEL STONE



Resistant to temperature changes

European Norm EN 14516



Acoustic Insulating

VDI 4100 and DIN 4109 norm



Environmentally Friendly Packaging



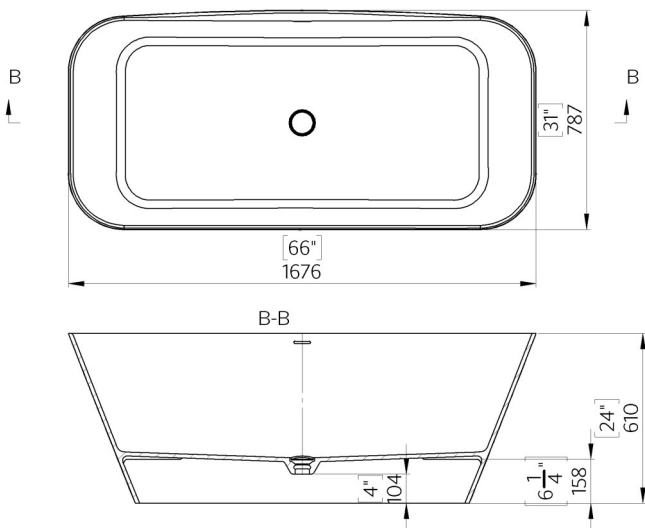
Antibacterial surface finish

ISO 22196



CE Certified Product

Technical Drawings



Specifications

Item number:	LIBB0056
Installation type:	Freestanding
Shape:	Rectangle
Dimensions:	L=1676mm, W=787mm, H=610mm
Material:	Mineral Composite
Overflow:	Integrated
Composite cover:	Yes
Net weight:	116Kg
Bathtub volume:	380L