

CUADRATO



HANSEL STONE



Resistant to temperature changes

European Norm EN 14516



Acoustic Insulating

VDI 4100 and DIN 4109 norm



Environmentally Friendly Packaging



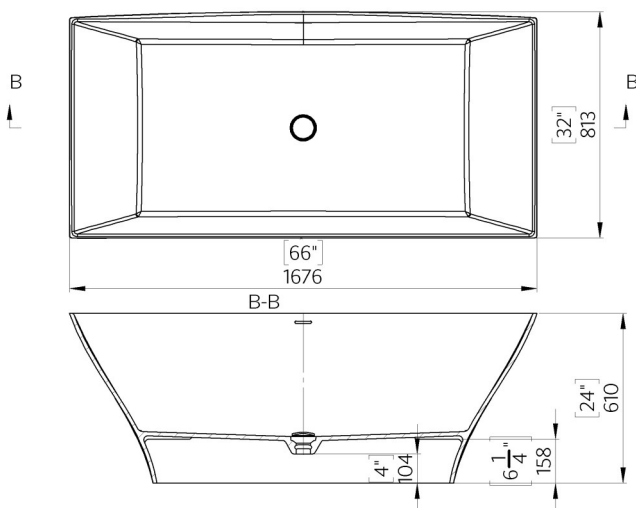
Antibacterial surface finish

ISO 22196



CE Certified Product

Technical Drawings



Specifications

Item number: LIBB0055

Installation type: Freestanding

Shape: Rectangle

Dimensions: L=1676mm, W=813mm, H=610mm

Material: Mineral Composite

Overflow: Integrated

Composite cover: Yes

Net weight: 121Kg

Bathtub volume: 385L