

# CAMPANA



# HANSEL STONE



**Resistant to temperature changes**

European Norm EN 14516



**Acoustic Insulating**

VDI 4100 and DIN 4109 norm



**Environmentally Friendly Packaging**



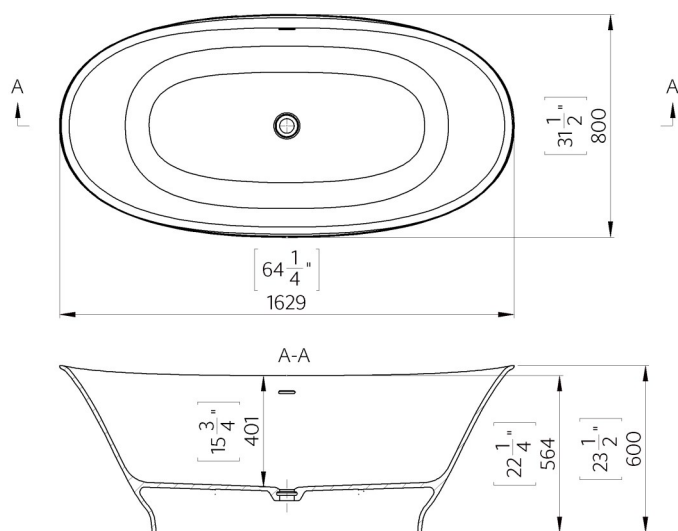
**Antibacterial surface finish**

ISO 22196



**CE Certified Product**

## Technical Drawings



## Specifications

Item number:	LIBB0050
Installation type:	Freestanding
Shape:	Oval
Dimensions:	L=1630mm, W=800mm, H=600mm
Material:	Mineral Composite
Overflow:	Integrated
Composite cover:	No
Net weight:	84.6Kg
Bathtub volume:	L