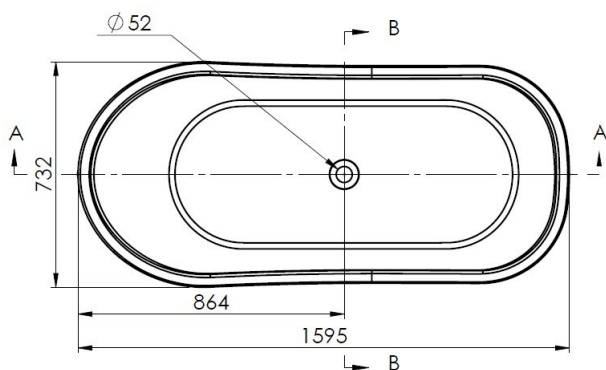
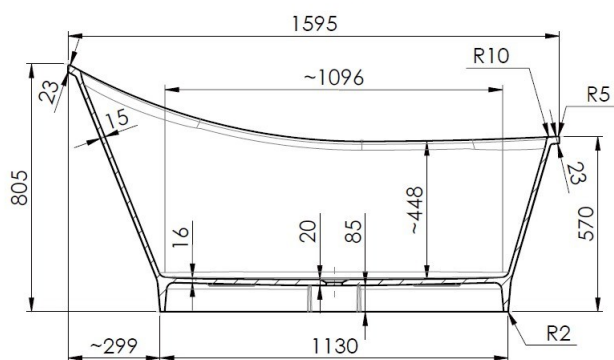


ASCENSO



Technical Drawings



HANSEL STONE



Resistant to temperature changes

European Norm EN 14516



Acoustic Insulating

VDI 4100 and DIN 4109 norm



Environmentally Friendly Packaging



Antibacterial surface finish

ISO 22196



CE Certified Product

Specifications

Item number:	LIBBAURO
Installation type:	Freestanding
Shape:	Oval
Dimensions:	L=1595mm, W=730mm, H=800mm
Material:	Mineral Composite
Overflow:	External
Composite cover:	No
Net weight:	72Kg
Bathtub volume:	280L