

ALTA



HANSEL STONE



Resistant to temperature changes

European Norm EN 14516



Acoustic Insulating

VDI 4100 and DIN 4109 norm



Environmentally Friendly Packaging



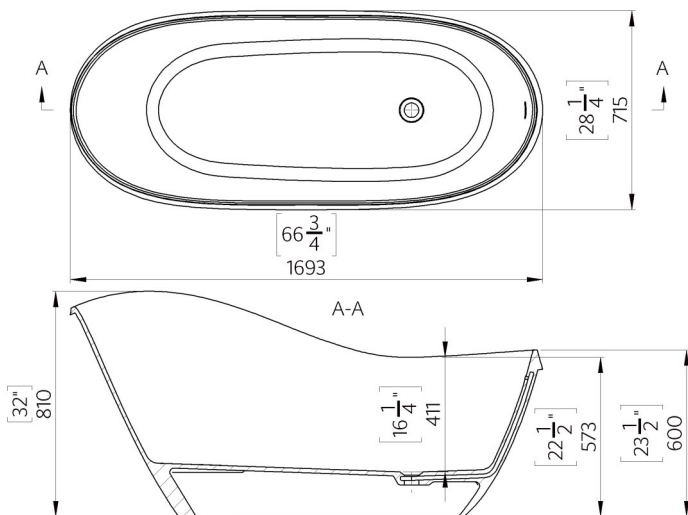
Antibacterial surface finish

ISO 22196



CE Certified Product

Technical Drawings



Specifications

Item number: LIBB0018

Installation type: Freestanding

Shape: Oval

Dimensions: L=1693mm, W=715mm, H=810mm

Material: Mineral Composite

Overflow: Integrated

Composite cover: No

Net weight: 101.5Kg

Bathtub volume: 210L