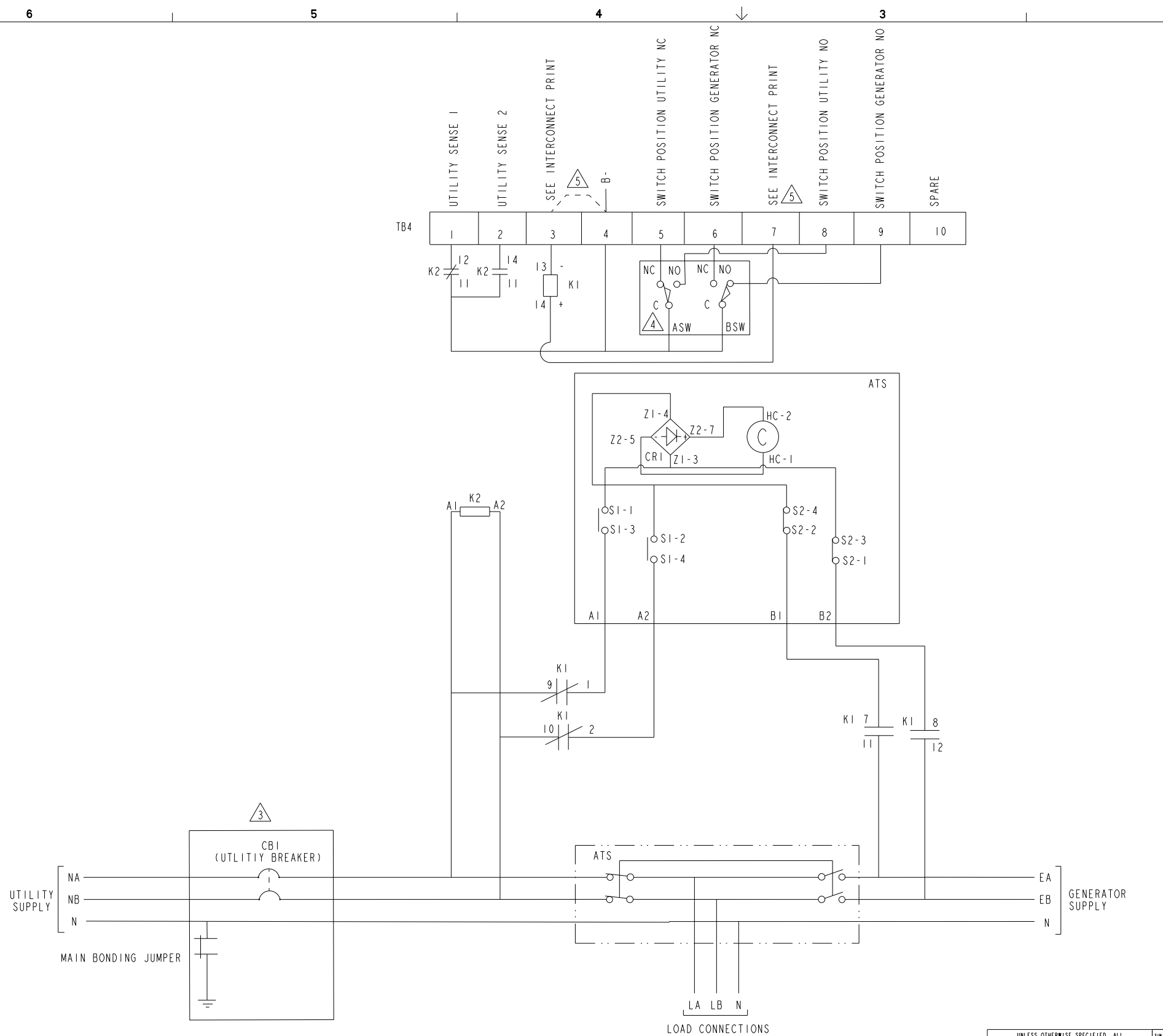


REL NO	LTR	NO	REVISION	OWN	CKD	APVD	DATE
ECO-157685	F	1	ZONE 2A, ADDED NOTE 5	JFM	GAC	JGC	22DEC15
		2	ZONE 4D, CHANGES TO TB4 PINS 3 & 4 SEE ECO	JFM	GAC	JGC	22DEC15
		3	ZONE 3D, CHANGES TO TB4 PIN 7 SEE ECO	JFM	GAC	JGC	22DEC15
		4	ZONE 3D & 4D, ADDED FLAGNOTE 5	JFM	GAC	JGC	22DEC15

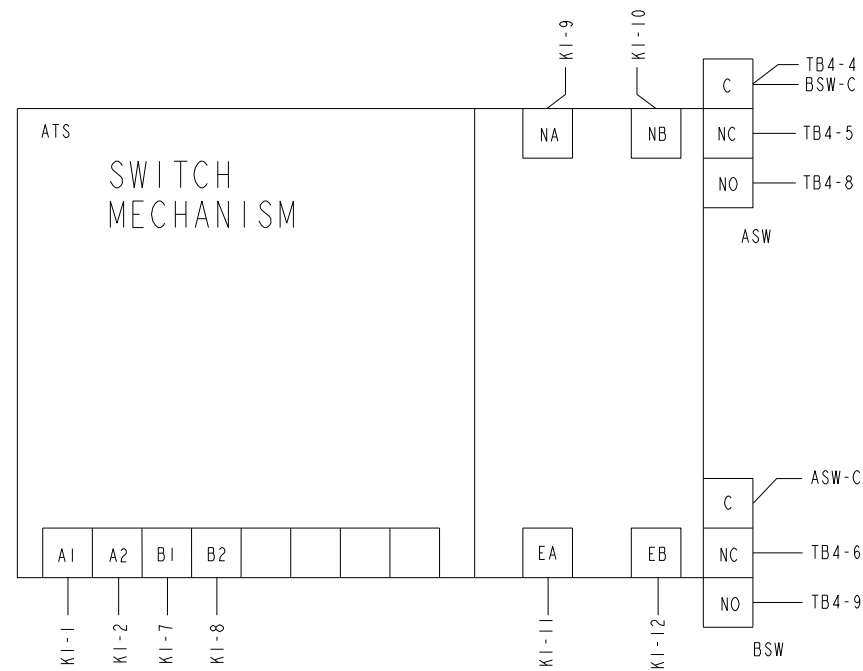
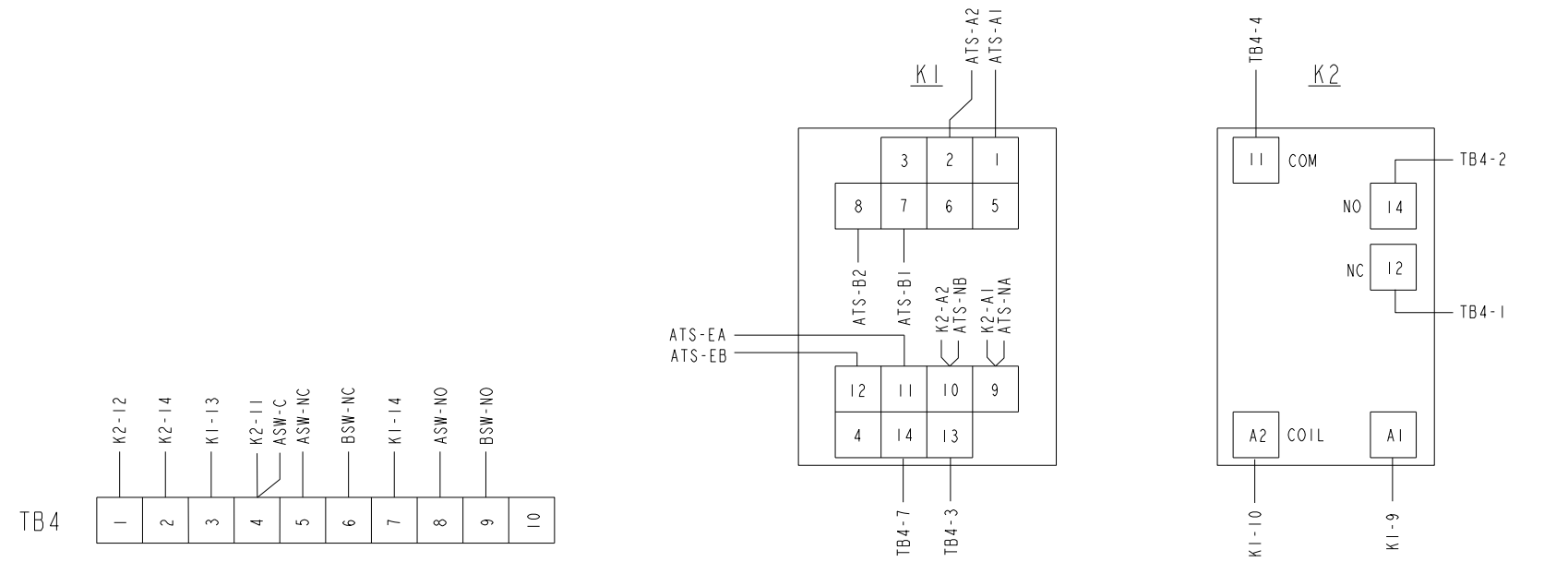


- TB4 TERMINAL BLOCK
- K1 RELAY
- ASW UTILITY POSITION AUXILIARY SWITCH
- BSW GENERATOR POSITION AUXILIARY SWITCH
- ATS AUTOMATIC TRANSFER SWITCH
- K2 UTILITY SENSE RELAY
- S1 OPEN WHEN ATS IS CONNECTED TO UTILITY
- S2 OPEN WHEN ATS IS CONNECTED TO GENERATOR
- CRI BRIDGE RECTIFIER
- C ATS OPERATOR COIL
- CBI UTILITY CIRCUIT BREAKER

- NOTES:
- ALL DEVICES ARE SHOWN DE-ENERGIZED WITH TRANSFER SWITCH CLOSED TO UTILITY.
  - SINGLE PHASE TRUE TWO POSITION MECHANISM. MAXIMUM VOLTAGE UP TO 240 VAC.
  - SERVICE ENTRANCE MODELS ONLY.
  - LOCATED ON THE SIDE OF THE ATS MECHANISM.
  - REFER TO INTERCONNECT PRINT A044R216 FOR CONTROL WIRING AND A034N106 JUMPER REQUIREMENT.

UNLESS OTHERWISE SPECIFIED, ALL DIMENSIONS ARE IN MILLIMETERS		SIM TO 0630-3395	OWN G COLLEEN		CUMMINS POWER GENERATION																					
DO NOT SCALE PRINT			CKD A GAMAZON		DIAGRAM, WIRING																					
<table border="1"> <tr> <th>FIN</th> <th>HOLD</th> <th>0.00-4.99</th> <th>+0.15/-0.08</th> </tr> <tr> <td>X ± 1</td> <td></td> <td>5.00-9.99</td> <td>+0.20/-0.10</td> </tr> <tr> <td>.X ± 0.8</td> <td></td> <td>10.00-17.49</td> <td>+0.25/-0.13</td> </tr> <tr> <td>.XX ± 0.38</td> <td></td> <td>17.50-24.99</td> <td>+0.30/-0.13</td> </tr> </table>	FIN	HOLD	0.00-4.99	+0.15/-0.08	X ± 1		5.00-9.99	+0.20/-0.10	.X ± 0.8		10.00-17.49	+0.25/-0.13	.XX ± 0.38		17.50-24.99	+0.30/-0.13	ANG TOL: ± 1.0°	SCALE: 1/1	DATE 20SEP12	SITE CODE	PGF	<table border="1"> <tr> <td>FIG. SIZE D</td> <td>A044B194</td> <td>SHEET 1 OF 2</td> <td>REV F</td> </tr> </table>	FIG. SIZE D	A044B194	SHEET 1 OF 2	REV F
FIN	HOLD	0.00-4.99	+0.15/-0.08																							
X ± 1		5.00-9.99	+0.20/-0.10																							
.X ± 0.8		10.00-17.49	+0.25/-0.13																							
.XX ± 0.38		17.50-24.99	+0.30/-0.13																							
FIG. SIZE D	A044B194	SHEET 1 OF 2	REV F																							

REL NO	LTR	NO	REVISION	OWN	CKD	APVD	DATE
ECO-157685	F	-	-----	JFM	GAC	JGC	22DEC15



UNLESS OTHERWISE SPECIFIED, ALL DIMENSIONS ARE IN MILLIMETERS		SIM NO 0630-3395	OWN G COLLEEN		CUMMINS POWER GENERATION	
DIM X ± 1 .X ± 0.8 .XX ± 0.38	HOLE 0.00- 4.99 +0.15/-0.08 5.00- 9.99 +0.20/-0.10 10.00-17.49 +0.25/-0.13 17.50-24.99 +0.30/-0.13	DO NOT SCALE PRINT 	CKD A GAMAZON APVD T BEAUCAGE DATE 20SEP12		SITE CODE PGF	DIAGRAM, WIRING A044B194
ANG TOL: ± 1.0°		SCALE: 1/1	- CONFIDENTIAL - PROPERTY OF CUMMINS POWER GENERATION GROUP	FIRST USED ON ARROW	SHEET 2 of 2	DRG REV F

**Part A044B194 F**

Description	Legacy Name	External Regulations	Application Status	Release Phase Code	Security Classification	Alternates
DIAGRAM,WIRING	A044B194	None	Production Only	Production	Proprietary	

**Part Specifications :A044B194 F**

Name	Description	Legacy Name
A030B356	SPECIFICATION,MATERIAL	CES10903
A044B195	DRAWING,ENGINEERING	A044B195