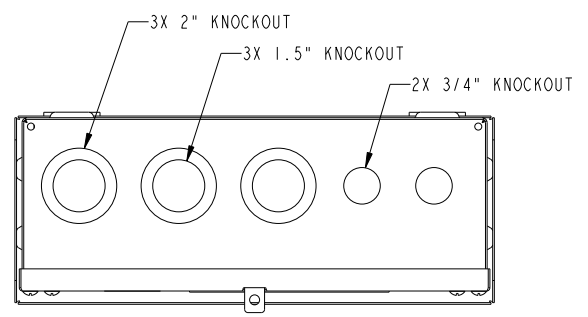
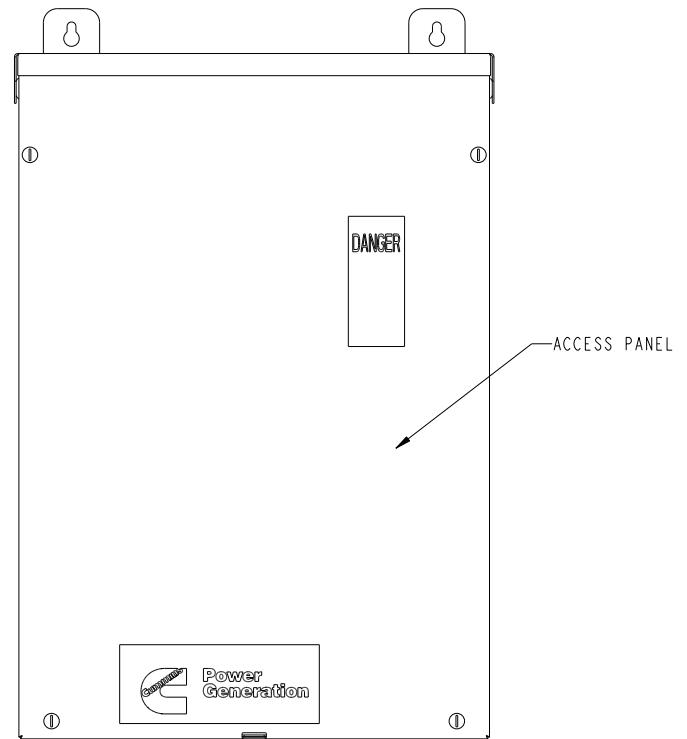
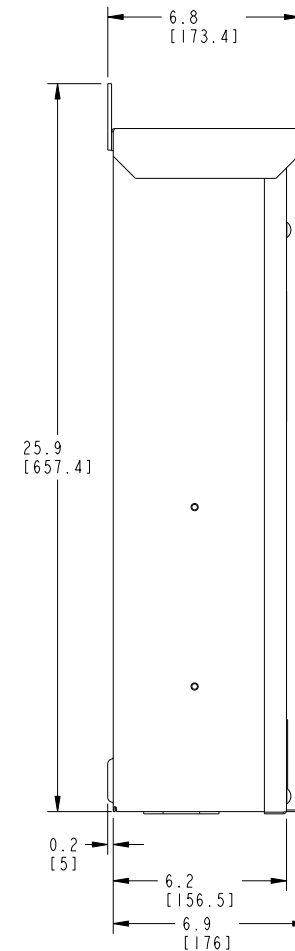
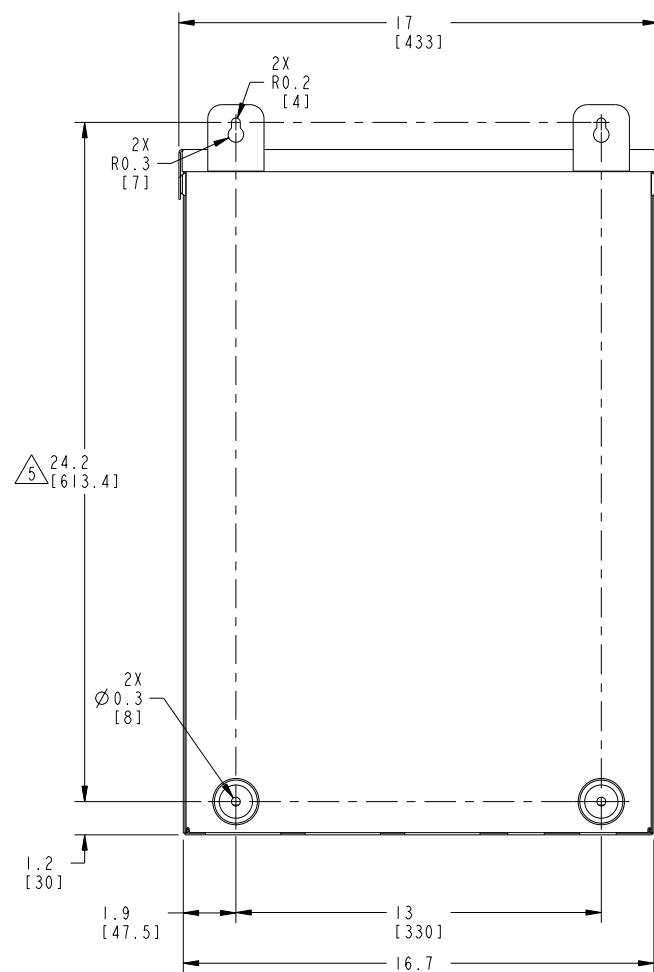


REL NO	LTR	NO	REVISION	OWN	CAD	APVD	DATE
ECO-139249	C	1	UPDATED LUG CAPACITY TABLES	GAC	JDM	TRB	20NOV13
		2	SEE SHEET 2	GAC	JDM	TRB	20NOV13
		3	SEE SHEET 3	GAC	JDM	TRB	20NOV13



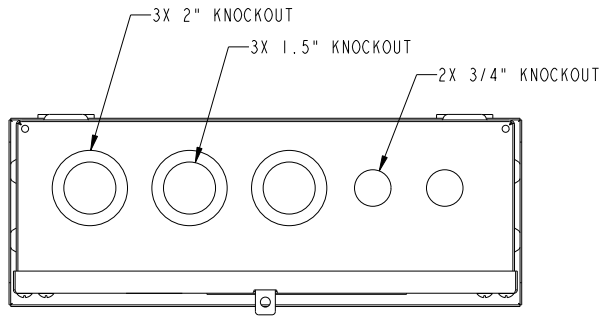
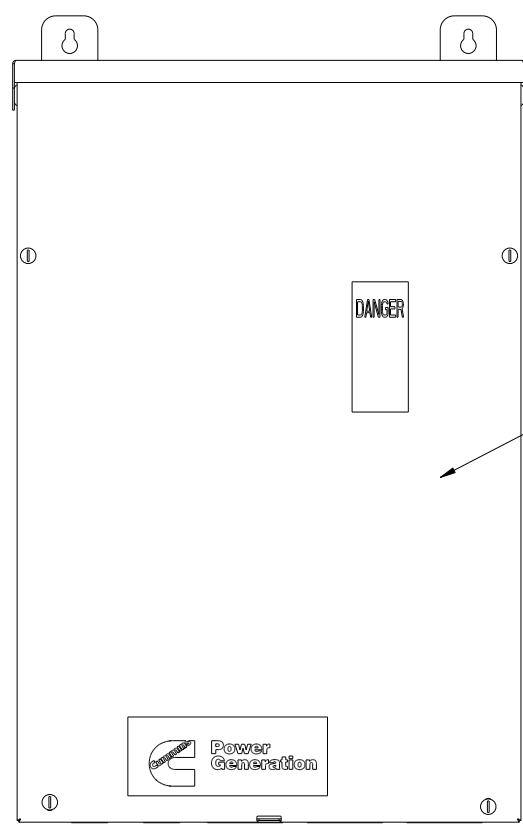
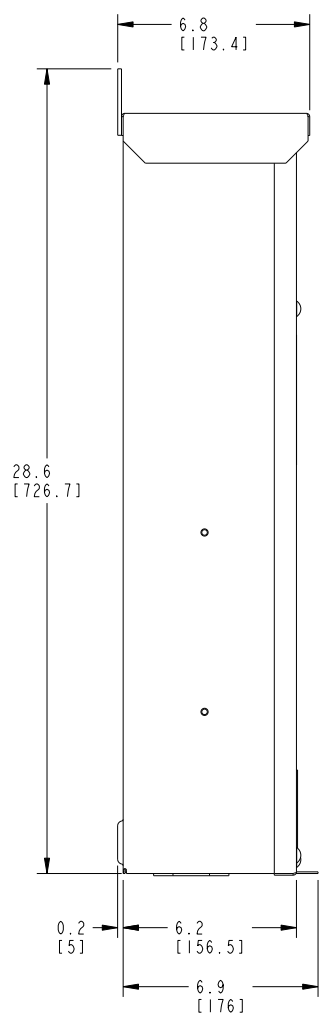
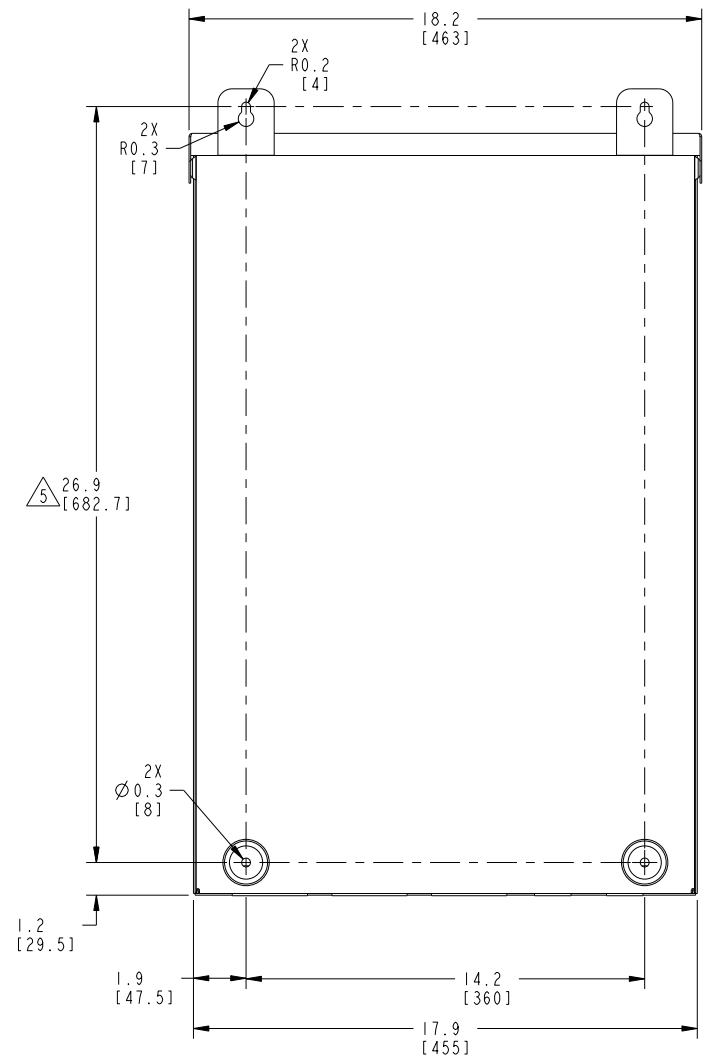
- NOTE:
- ENCLOSURE: TYPE 3R
  - APPROX WEIGHT: 33 LBS [15KG]
  - USE SEPARATE CONDUITS FOR CONTROL WIRING & POWER WIRING. DO NOT COMBINE
  - DIMENSIONS IN [ ] ARE IN MILLIMETERS.
- △ DIMENSION USING 1/4 INCH MOUNTING BOLT DIAMETER.

LUG CAPACITY	
UTILITY/GEN/LOAD	(1) #14 AWG-2/0 CU/AL
NEUTRAL	(3) #14 AWG-2/0 CU/AL
GROUND	(2) #14 AWG-1/0 CU/AL

RA112N3 OUTLINE (100A NON-SERVICE ENTRANCE)

UNLESS OTHERWISE SPECIFIED, ALL DIMENSIONS ARE IN MILLIMETERS		SIM 10	OWN G COLLEEN		CUMMINS POWER GENERATION																						
DO NOT SCALE PRINT		APVD T BEAUCAGE	DATE 11MAR13		OUTLINE, TRANSFER SWITCH																						
<table border="1"> <tr> <th>CH</th> <th>TOL</th> <th>FEEL</th> </tr> <tr> <td>X</td> <td>± 1</td> <td>0.00- 4.99 +0.15/-0.08</td> </tr> <tr> <td>.X</td> <td>± 0.8</td> <td>5.00- 9.99 +0.20/-0.10</td> </tr> <tr> <td>.XX</td> <td>± 0.38</td> <td>10.00-17.49 +0.25/-0.13</td> </tr> <tr> <td></td> <td></td> <td>17.50-24.99 +0.30/-0.13</td> </tr> </table>	CH	TOL	FEEL	X	± 1	0.00- 4.99 +0.15/-0.08	.X	± 0.8	5.00- 9.99 +0.20/-0.10	.XX	± 0.38	10.00-17.49 +0.25/-0.13			17.50-24.99 +0.30/-0.13	ANG TOL: ± 1.0°	SCALE: 1/1	<table border="1"> <tr> <td>PROPERTY OF CUMMINS POWER GENERATION GROUP</td> <td>FOR INTERPRETATION OF DIMENSIONS AND TOLERANCING, SEE ASME Y14.5M-1994</td> </tr> </table>	PROPERTY OF CUMMINS POWER GENERATION GROUP	FOR INTERPRETATION OF DIMENSIONS AND TOLERANCING, SEE ASME Y14.5M-1994	<table border="1"> <tr> <td>ARROW</td> <td>PGF</td> <td>SIZE D</td> <td>A044R213</td> </tr> </table>	ARROW	PGF	SIZE D	A044R213	SHEET 1 OF 3	REV C
CH	TOL	FEEL																									
X	± 1	0.00- 4.99 +0.15/-0.08																									
.X	± 0.8	5.00- 9.99 +0.20/-0.10																									
.XX	± 0.38	10.00-17.49 +0.25/-0.13																									
		17.50-24.99 +0.30/-0.13																									
PROPERTY OF CUMMINS POWER GENERATION GROUP	FOR INTERPRETATION OF DIMENSIONS AND TOLERANCING, SEE ASME Y14.5M-1994																										
ARROW	PGF	SIZE D	A044R213																								

REL NO	LTR	NO	REVISION	DNW	CAD	APVD	DATE
ECO-139249	C	2	UPDATED LUG CAPACITY TABLES	GAC	JDM	TRB	20NOV13



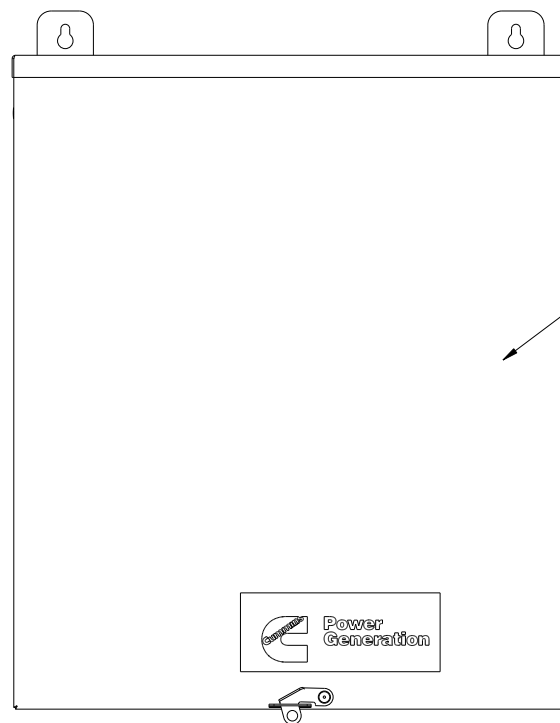
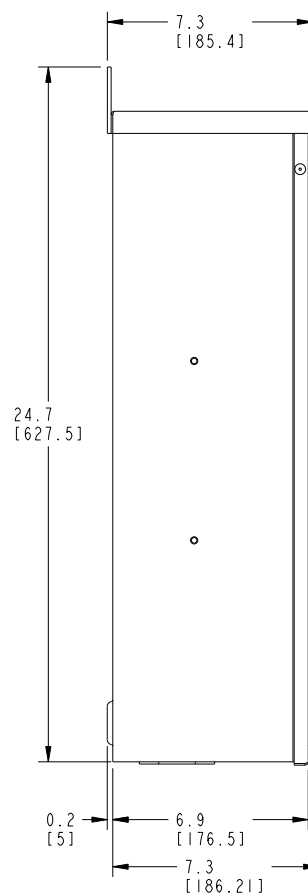
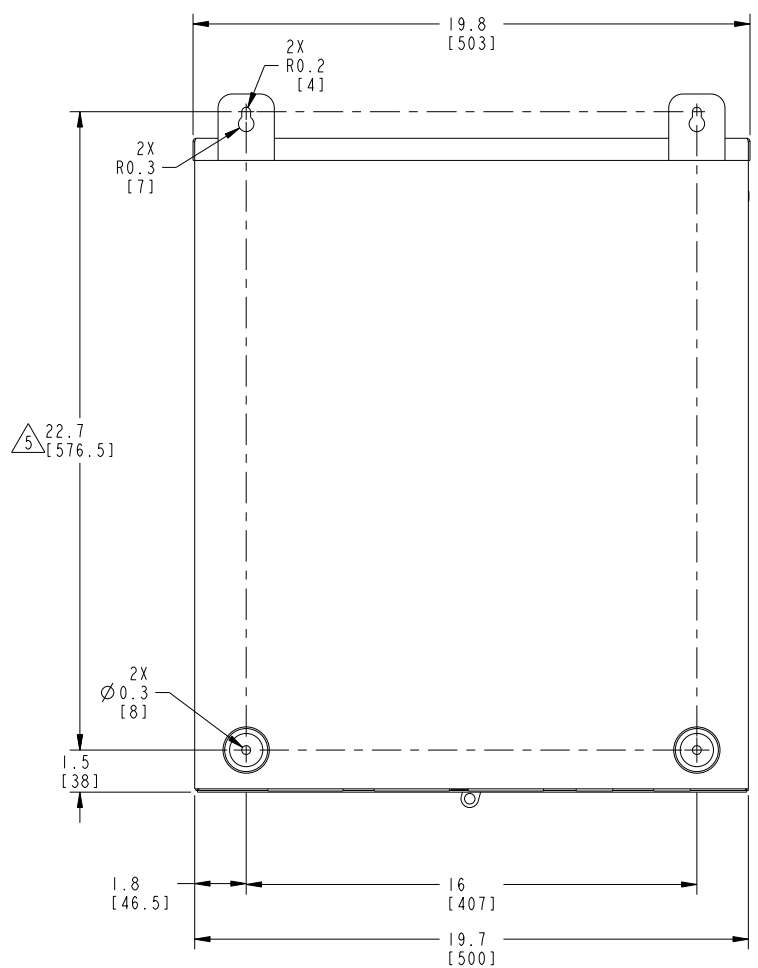
- NOTES:
- ENCLOSURE: TYPE 3R
  - APPROX WEIGHT: 46 LBS [21Kg]
  - USE SEPARATE CONDUITS FOR CONTROL WIRING & POWER WIRING. DO NOT COMBINE
  - DIMENSIONS IN [ ] ARE IN MILLIMETERS.
- $\triangle 5$  DIMENSION USING 1/4 INCH MOUNTING BOLT DIAMETER.

LUG CAPACITY	
UTILITY/GEN/LOAD	(1) #6 AWG-300 MCM CU/AL
NEUTRAL	(3) #6 AWG-300 MCM CU/AL
GROUND	(2) #14 AWG-1/0 CU/AL

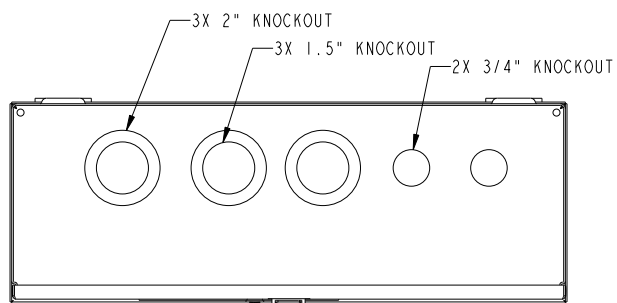
RA212N3 OUTLINE (200A NON-SERVICE ENTRANCE)

UNLESS OTHERWISE SPECIFIED, ALL DIMENSIONS ARE IN MILLIMETERS		SIM 10	DNW G COLLEEN		CUMMINS POWER GENERATION		
DO NOT SCALE PRINT		DO NOT SCALE PRINT	CAD A GAMAZON		OUTLINE, TRANSFER SWITCH		
DIM	X ± 1	0.00- 4.99 +0.15/-0.08	APVD T BEAUZAGE		SITE CODE	SHEET 2 OF 3 REV C	
	.X ± 0.8	5.00- 9.99 +0.20/-0.10	DATE 11MAR13				
	.XX ± 0.38	10.00-17.49 +0.25/-0.13	17.50-24.99 +0.30/-0.13				
ANG TOL: ± 1.0°		SCALE: 1/1	- CONFIDENTIAL - PROPERTY OF CUMMINS POWER GENERATION GROUP	FOR INTERPRETATION OF DIMENSIONS AND TOLERANCING, SEE ASME Y14.5M-1994	FIRST USED ON ARROW	PGF D	A044R213

REL NO	LTR	NO	REVISION	OWN	CAD	APVD	DATE
ECO-139249	C	3	UPDATED LUG CAPACITY TABLES	GAC	JDM	TRB	20NOV13



ACCESS DOOR



LUG CAPACITY		
AMPERAGE	100A	200A
UTILITY (CIRCUIT BREAKER)	(1) #4 AWG-300MCM CU/AL	(1) #4 AWG-300MCM CU/AL
LOAD/GENERATOR (TRANSFER SWITCH)	(1) #14 AWG-2/0 CU/AL	(1) #6 AWG-300 MCM CU/AL
NEUTRAL	(3) #14 AWG-2/0 CU/AL	(3) #6 AWG-300 MCM CU/AL
GROUND	(4) #14 AWG-1/0 CU/AL	(4) #14 AWG-1/0 CU/AL

NOTES:

- 1. ENCLOSURE: TYPE 3R
- 2. APPROX WEIGHT: 58 LBS (26KG)
- 3. USE SEPERATE CONDUITS FOR CONTROL WIRING & POWER WIRING. DO NOT COMBINE.
- 4. DIMENSIONS IN [ ] ARE MILLIMETERS.
- 5. DIMENSION USING 1/4 INCH MOUNTING BOLT DIAMETER.

RA112S3 AND RA212S3 (100A AND 200A SERVICE ENTRANCE)

UNLESS OTHERWISE SPECIFIED, ALL DIMENSIONS ARE IN MILLIMETERS		SIM 10	OWN G COLLEEN	CUMMINS POWER GENERATION
DO NOT SCALE PRINT		CND A GAMAZON	APVD T BEAUCAGE	
X ± 1	0.00- 4.99 +0.15/-0.08	ARROW	DATE 11MAR13	SITE CODE
.X ± 0.8	5.00- 9.99 +0.20/-0.10		PGF	
.XX ± 0.38	10.00-17.49 +0.25/-0.13		D	
ANG TOL: ± 1.0°	SCALE: 1/1	PROPERTY OF CUMMINS POWER GENERATION GROUP	FOR INTERPRETATION OF DIMENSIONS AND TOLERANCING, SEE ASME Y14.5M-1994	ARROW
			FIRST USED ON	SHEET 3 OF 3

**Part A044R213 C**

Description	Legacy Name	External Regulations	Application Status	Release Phase Code	Security Classification	Alternates
OUTLINE,TRANSFER SWITCH	A044R213	None	Production Only	Production	Proprietary	

**Part Specifications :A044R213 C**

Name	Description	Legacy Name
A030B356	SPECIFICATION,MATERIAL	CES10903
A044R214	DRAWING,ENGINEERING	A044R214