

NOTE: DIMENSIONS IN [ ] ARE INCH EQUIVALENTS.

UNLESS OTHERWISE SPECIFIED:  
 ALL DIMENSIONS IN MILLIMETERS  
 GENERAL TOLERANCES:  
 X.XX ± 0.25  
 X.X ± 1.0 SURFACE FINISH  
 X ± 1.5  
 ANGLES ± 0°30' ✓ MAX.

THIRD ANGLE PROJECTION

MAJOR ○ = 0  
 CRITICAL ⊗ = 0  
 CHARACTERISTICS COMPLY WITH  
 KPS-80022

DRAWN BY AZE DATE:  
 APPROVED BY KJB 03NOV2020

**DO NOT SCALE.**  
 THIS ASSEMBLY OR PART MUST  
 COMPLY WITH PEP-RML-001.  
 REFERENCE CAD MODEL FOR  
 UNSPECIFIED DIMENSIONS.

**KOHLER.**  
 KOHLER, WISCONSIN 53044

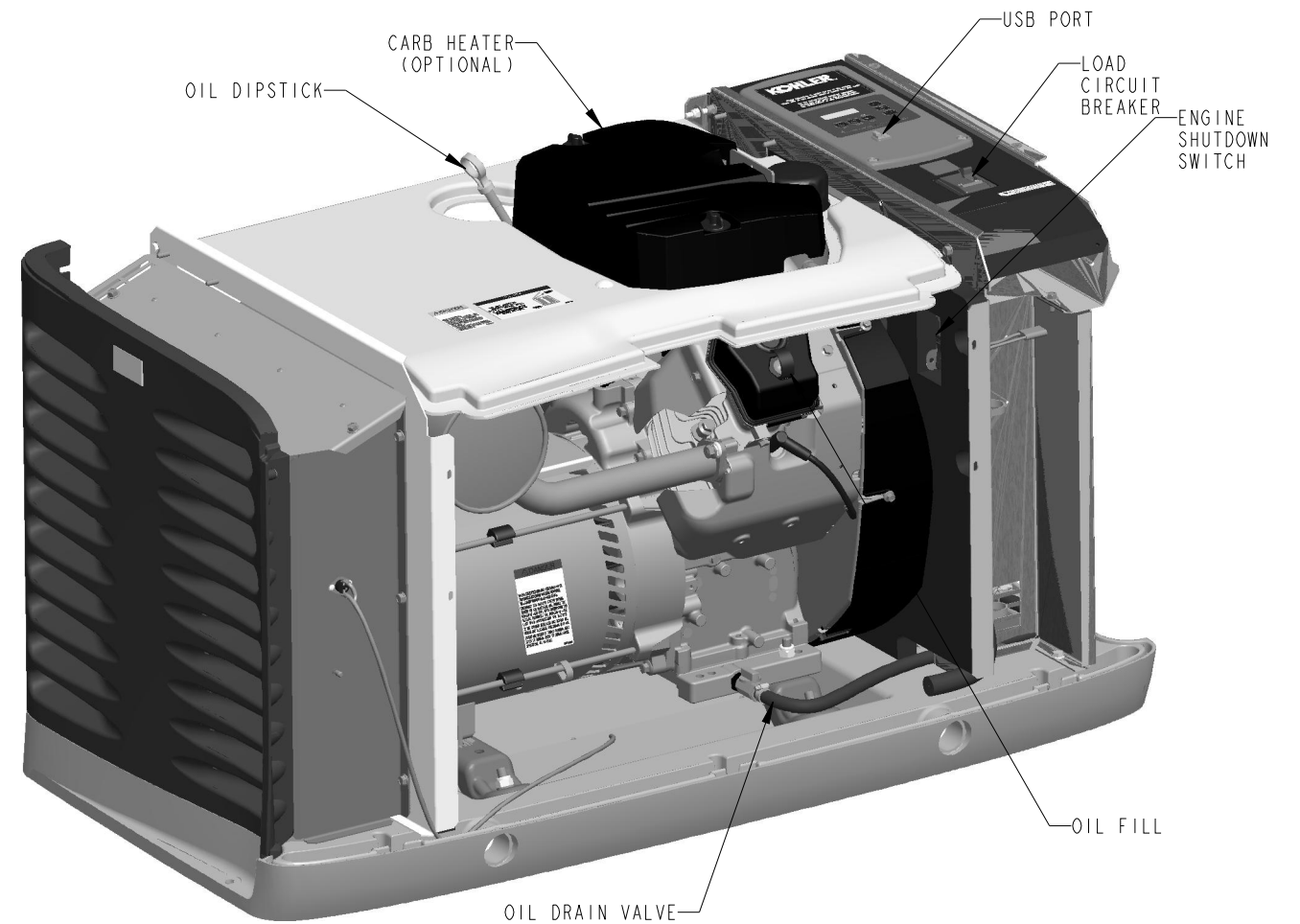
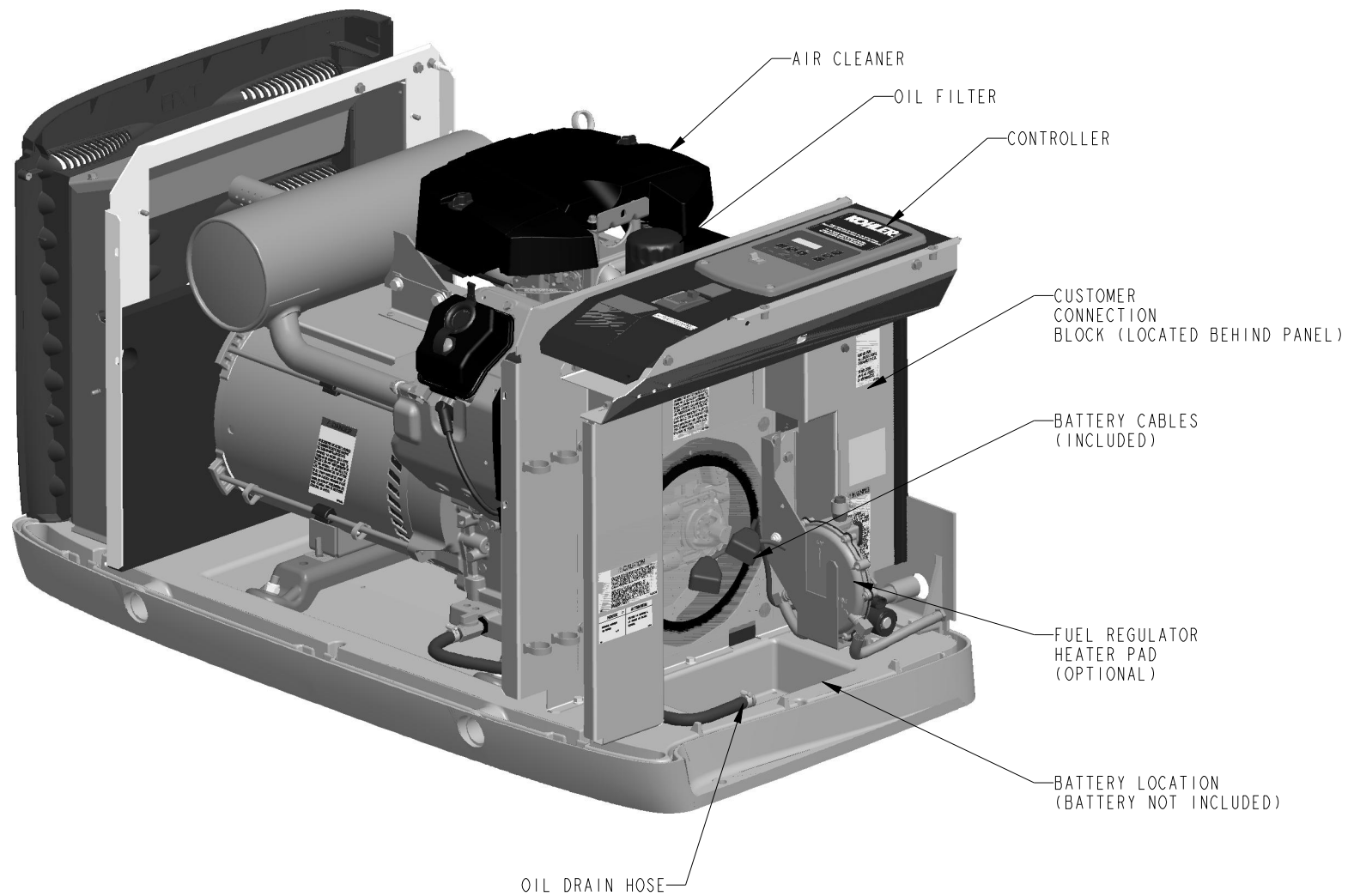
SCALE: NA SHEET SIZE: B SHEET 1 OF 4

TITLE:  
**DIMENSION PRINT, 20RESC**

DWG NO.: **ADV-9743**

REV	DATE	CHANGE NUMBER	ON COMPOSITE DWGS, SEE PART NO. FOR REVISION LEVEL □ INDICATES PART NUMBERS AFFECTED BY LATEST DRAWING REVISION	BY
-	03NOV2020	CT207992	NEW DRAWING	AZE

20RESC



REV	DATE	CHANGE NUMBER	ON COMPOSITE DWGS, SEE PART NO. FOR REVISION LEVEL □ INDICATES PART NUMBERS AFFECTED BY LATEST DRAWING REVISION	BY
-	03NOV2020	CT207992	NEW DRAWING	AZE

UNLESS OTHERWISE SPECIFIED:  
ALL DIMENSIONS IN MILLIMETERS  
GENERAL TOLERANCES:  
X.XX ± 0.25  
X.X ± 1.0 SURFACE FINISH  
X ± 1.5  
ANGLES ± 0°30' ✓ MAX.

THIRD ANGLE PROJECTION

MAJOR ○ = 0  
CRITICAL ⊙ = 0  
CHARACTERISTICS COMPLY WITH  
KPS-80022

DRAWN BY AZE DATE: \_\_\_\_\_  
APPROVED BY KJB 03NOV2020

DO NOT SCALE.  
THIS ASSEMBLY OR PART MUST COMPLY WITH PEP-RML-001.  
REFERENCE CAD MODEL FOR UNSPECIFIED DIMENSIONS.

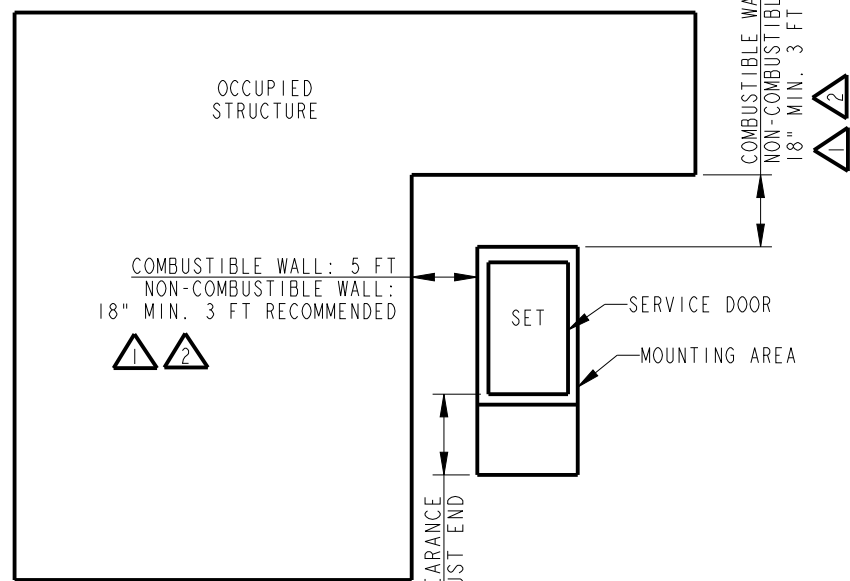
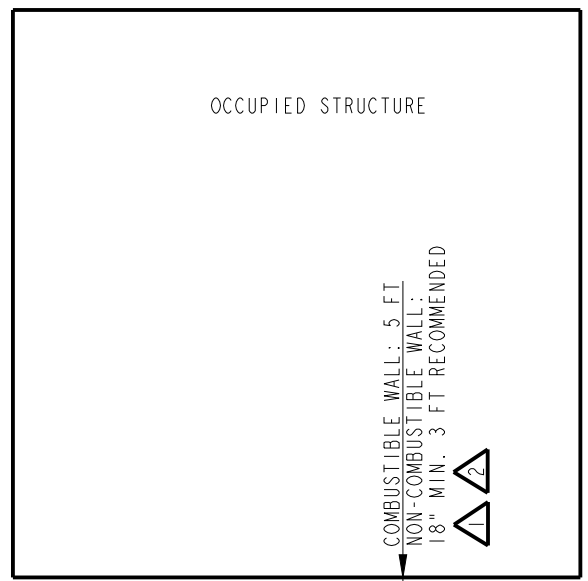
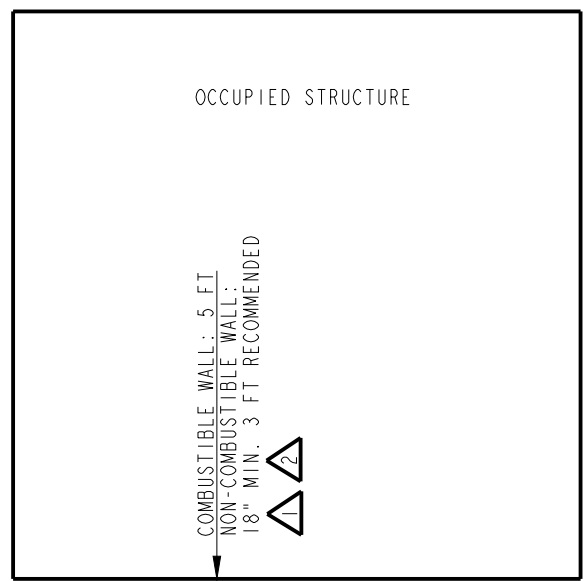
**KOHLER.**  
KOHLER, WISCONSIN 53044

SCALE: NA SHEET SIZE: B SHEET 2 OF 4

TITLE:  
**DIMENSION PRINT, 20RESC**

DWG NO.: **ADV-9743**

20RESC



NOTE:

△1 THE RECOMMENDED DISTANCE FROM A STRUCTURE IS DEPENDENT ON STATE AND LOCAL CODES. NFPA 37, STANDARDS FOR THE INSTALLATION AND USE OF STATIONARY COMBUSTION ENGINES AND GAS TURBINES, STATES THIS DISTANCE SHOULD BE AT LEAST 5 FEET FROM A COMBUSTIBLE MATERIAL.

△2 FOR INSTALLATIONS NEAR NON-COMBUSTIBLE STRUCTURE, A MINIMUM DISTANCE OF 18" IS REQUIRED TO ENSURE PROPER GENERATOR COOLING.

- ACCEPTABLE**
- 1) EXHAUST IS AIMED AWAY OR PARALLEL TO STRUCTURE.
  - 2) EXHAUST IS NOT DIRECTED AT PLAY AREAS, PATIOS OR OTHER AREAS WHERE PEOPLE CONGREGATE.
  - 3) THE NEAREST WINDOW, VENT, DOOR OR SIMILAR STRUCTURE OPENING IS AT LEAST 5 FEET FROM THE EXHAUST END OF THE SET.
  - 4) SET HAS PROPER OFFSET FROM STRUCTURE.
  - 5) WINDOWS & DOORS ON ADJACENT WALLS ARE CLOSED.
  - 6) FURNACE AND OTHER SIMILAR INTAKES ARE AT LEAST 10 FEET FROM EXHAUST END OF SET.
  - 7) WEED BARRIER AND 3 INCH THICK GRAVEL BASE OR CONCRETE PAD LOCATED TO PREVENT GRASS & WEEDS FROM GROWING TOO CLOSE TO THE SET.
  - 8) NO PLANTS, SHRUBS OR OTHER COMBUSTIBLES ALLOWED IN CLEARANCE AREA. (MINIMUM 4 FT. FROM EXHAUST END).
  - 9) REFER TO OWNERS MANUAL FOR OTHER INSTALLATION CONSTRAINTS.
  - 10) NO PLANTS, SHRUBS, OR OTHER COMBUSTIBLES ALLOWED WITHIN 18" OF AIR INTAKE.

REV	DATE	CHANGE NUMBER	ON COMPOSITE DWGS, SEE PART NO. FOR REVISION LEVEL □ INDICATES PART NUMBERS AFFECTED BY LATEST DRAWING REVISION	BY
-	03NOV2020	CT207992	NEW DRAWING	AZE

UNLESS OTHERWISE SPECIFIED:  
ALL DIMENSIONS IN MILLIMETERS  
GENERAL TOLERANCES:  
X.XX ± 0.25  
X.X ± 1.0 SURFACE FINISH  
X ± 1.5  
ANGLES ± 0°30' ✓ MAX.

**THIRD ANGLE PROJECTION**

MAJOR ○ = 0  
CRITICAL ⊗ = 0  
CHARACTERISTICS COMPLY WITH  
KPS-80022

DRAWN BY AZE DATE: 03NOV2020  
APPROVED BY KJB

**DO NOT SCALE.**  
THIS ASSEMBLY OR PART MUST COMPLY WITH PEP-RML-001. REFERENCE CAD MODEL FOR UNSPECIFIED DIMENSIONS.

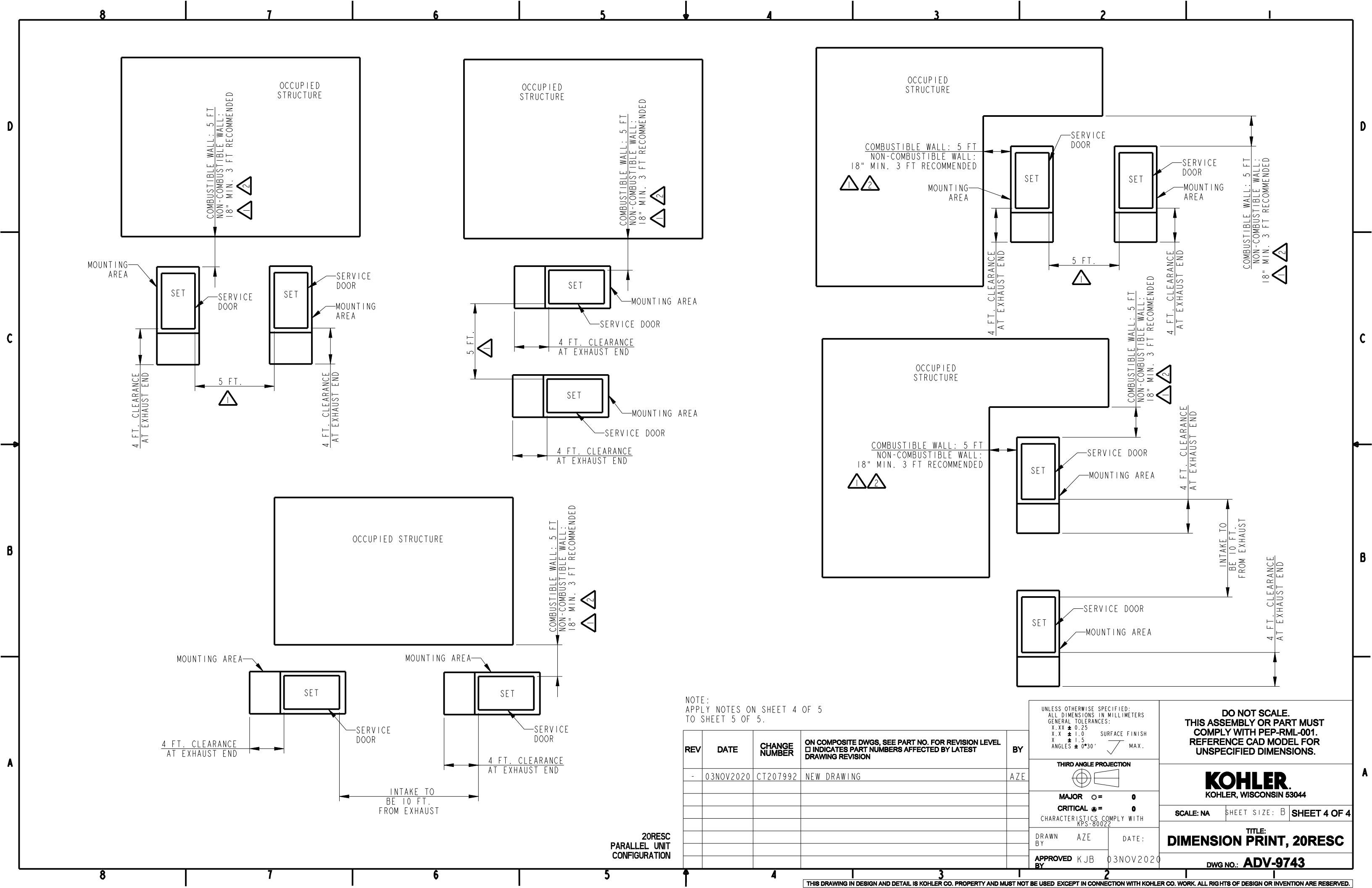
**KOHLER.**  
KOHLER, WISCONSIN 53044

SCALE: NA SHEET SIZE: B SHEET 3 OF 4

TITLE:  
**DIMENSION PRINT, 20RESC**

DWG NO.: **ADV-9743**

20RESC  
SINGLE UNIT  
CONFIGURATION



NOTE:  
 APPLY NOTES ON SHEET 4 OF 5  
 TO SHEET 5 OF 5.

REV	DATE	CHANGE NUMBER	ON COMPOSITE DWGS, SEE PART NO. FOR REVISION LEVEL □ INDICATES PART NUMBERS AFFECTED BY LATEST DRAWING REVISION	BY
-	03NOV2020	CT207992	NEW DRAWING	AZE

UNLESS OTHERWISE SPECIFIED:  
 ALL DIMENSIONS IN MILLIMETERS  
 GENERAL TOLERANCES:  
 X.XX ± 0.25  
 X.X ± 1.0 SURFACE FINISH  
 X ± 1.5 ✓ MAX.  
 ANGLES ± 0°30'

THIRD ANGLE PROJECTION

MAJOR ○ = 0  
 CRITICAL ⊗ = 0  
 CHARACTERISTICS COMPLY WITH  
 KPS-80022

DRAWN BY AZE DATE:  
 APPROVED BY KJB 03NOV2020

DO NOT SCALE.  
 THIS ASSEMBLY OR PART MUST  
 COMPLY WITH PEP-RML-001.  
 REFERENCE CAD MODEL FOR  
 UNSPECIFIED DIMENSIONS.

**KOHLER.**  
 KOHLER, WISCONSIN 53044

SCALE: NA SHEET SIZE: B SHEET 4 OF 4

TITLE:  
**DIMENSION PRINT, 20RESC**

DWG NO.: **ADV-9743**

20RESC  
 PARALLEL UNIT  
 CONFIGURATION