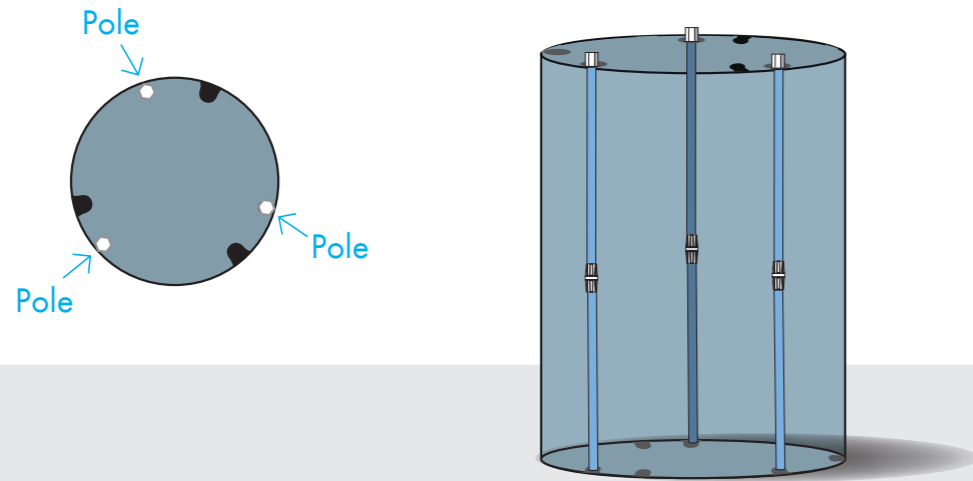


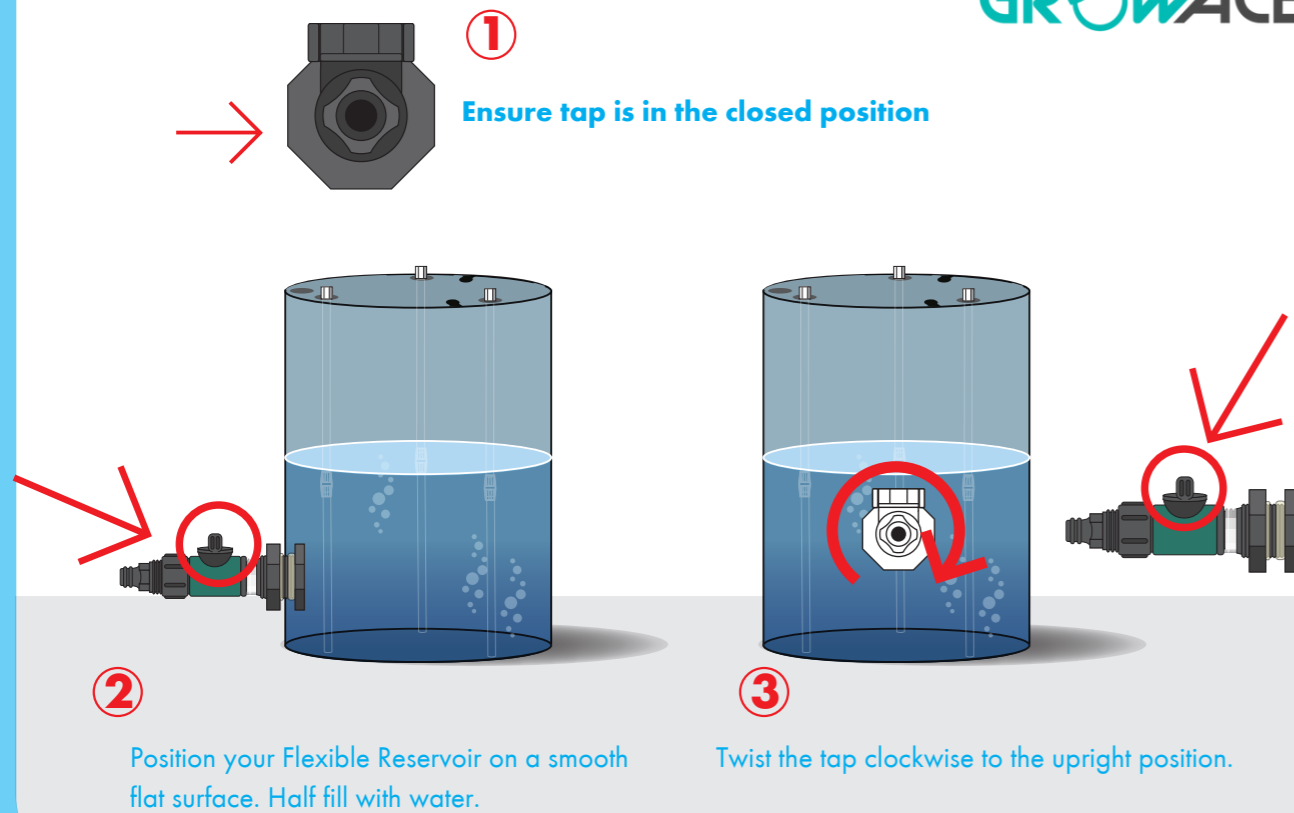
Step 4



Fit remaining support poles as shown in previous steps, fitting opposites.

Step 5

DISTRIBUTED BY
GROWACE
U.S.A.



Ultra Heavy-Duty Collapsible Reservoir

25 Gallon (100 Liter)

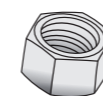
Assembly Instructions

Parts List

Reservoir x1



Pole Locking Nut x 3



Pole x 6

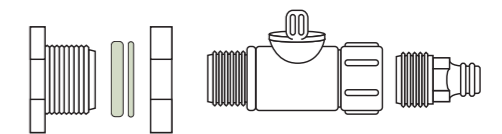


Pole Connector x 3



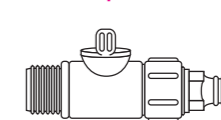
Outlet Tap x1

Includes: 1x reservoir connector (1x connector, 1x thick washer, 1x thin washer, 1x nut), 1x valve assembly, 1x nozzle

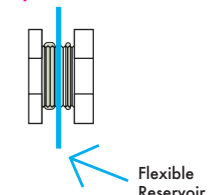


Assembly Steps

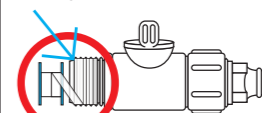
Step 1



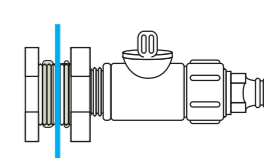
Step 2



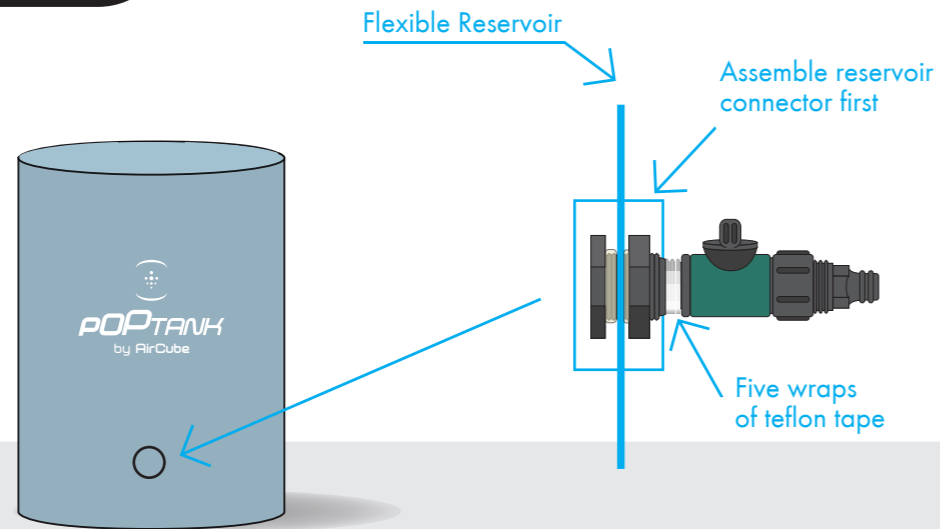
Step 3



Step 4



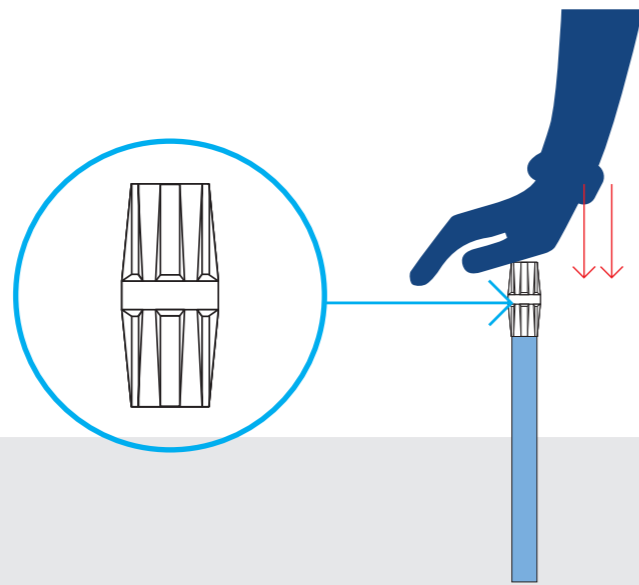
Step 1



Fitting Outlet Tap

Attach the nozzle to the valve assembly. Attach the reservoir connector to the reservoir, with the thick washer on the inside of the reservoir and the thin washer on the outside of the reservoir. Connect the valve assembly to the reservoir connector, ensuring the connection point has 5 wraps of teflon tape.

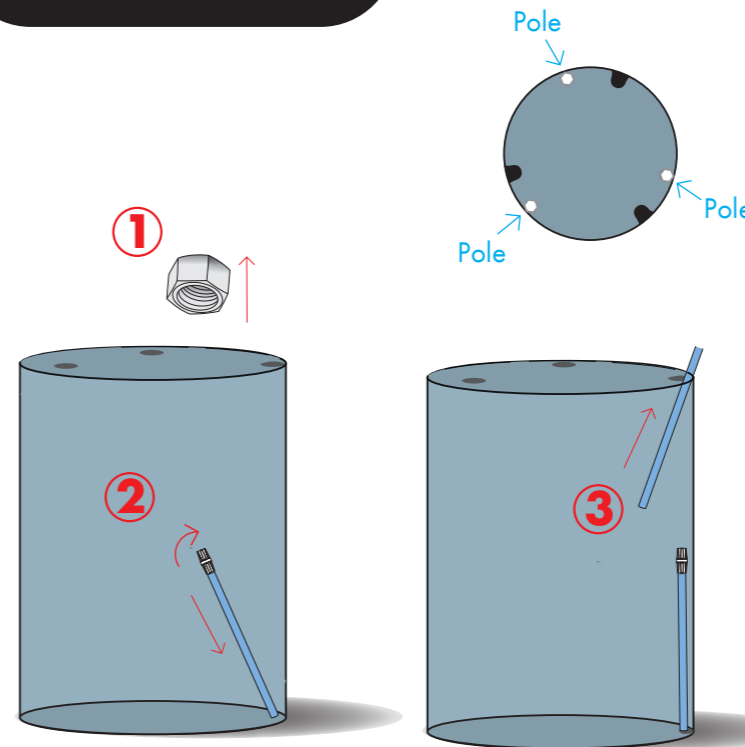
Step 2



Fitting Connectors

Fit connector to six of the support poles. Ensure pole is fully inserted into connector by exerting pressure from above.

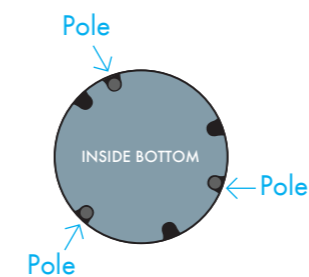
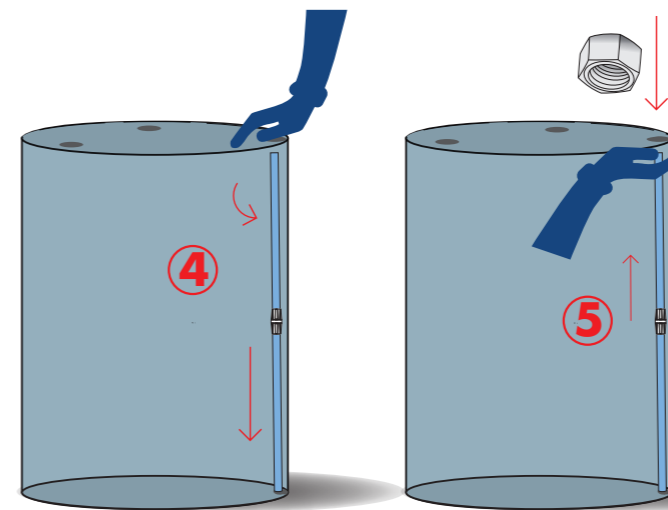
Step 3



Fitting First Support Pole

Accessing tank through top zipper.

- 1 Remove pole locking nuts from outside top.
- 2 Push lower part of support pole into bottom location feature and straighten.
- 3 Slot upper support pole through hole in upper ring.
- 4 Straighten top support pole and fit into connector. Ensure pole is fully inserted into connector by exerting pressure from above.
- 5 While applying pressure to the underside of top ring, screw on pole locking nut.



Safety



Never drag or move the Flexible Reservoir when full of water. The Flexible Reservoir should be completely drained before it is moved.