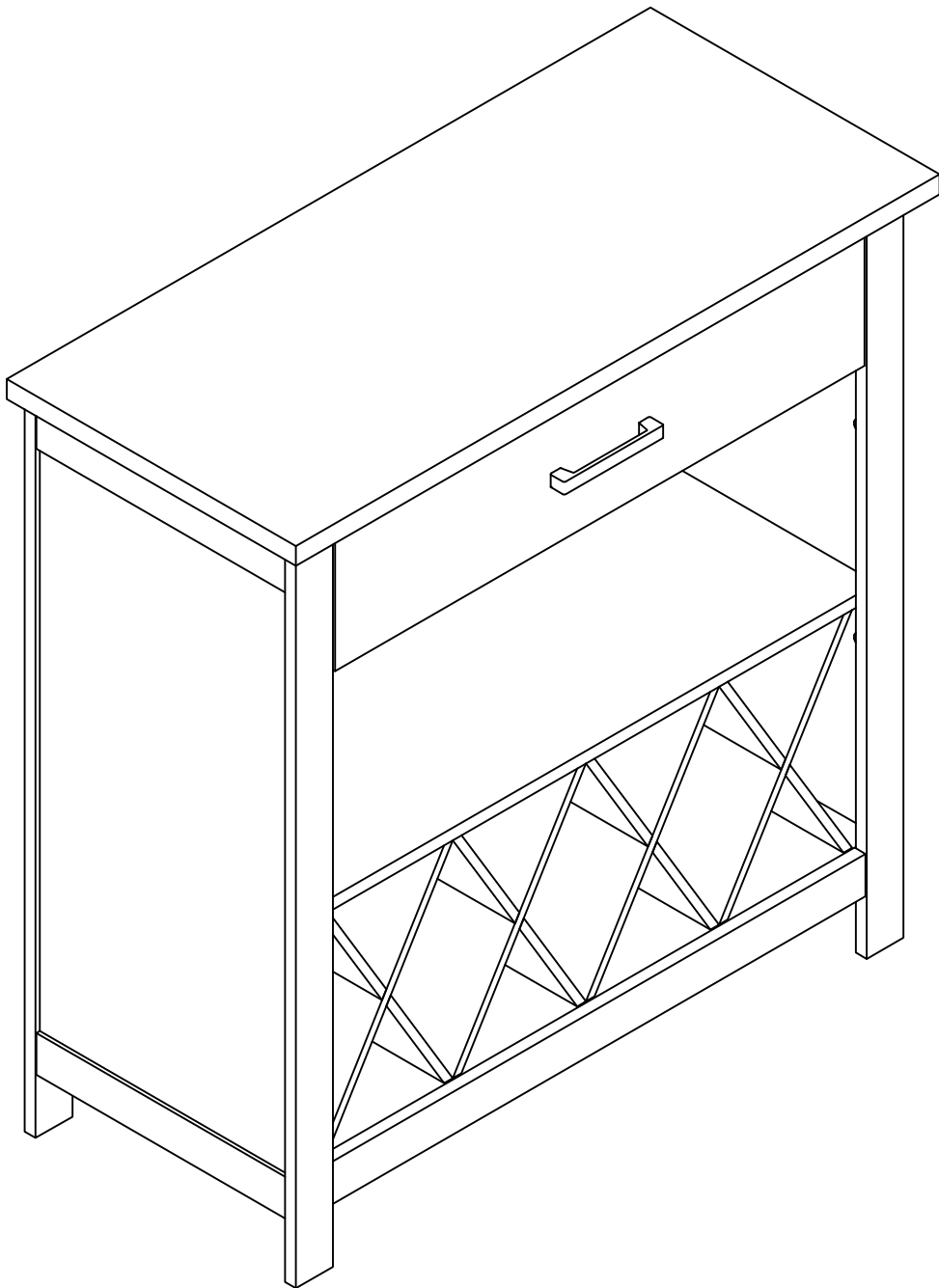


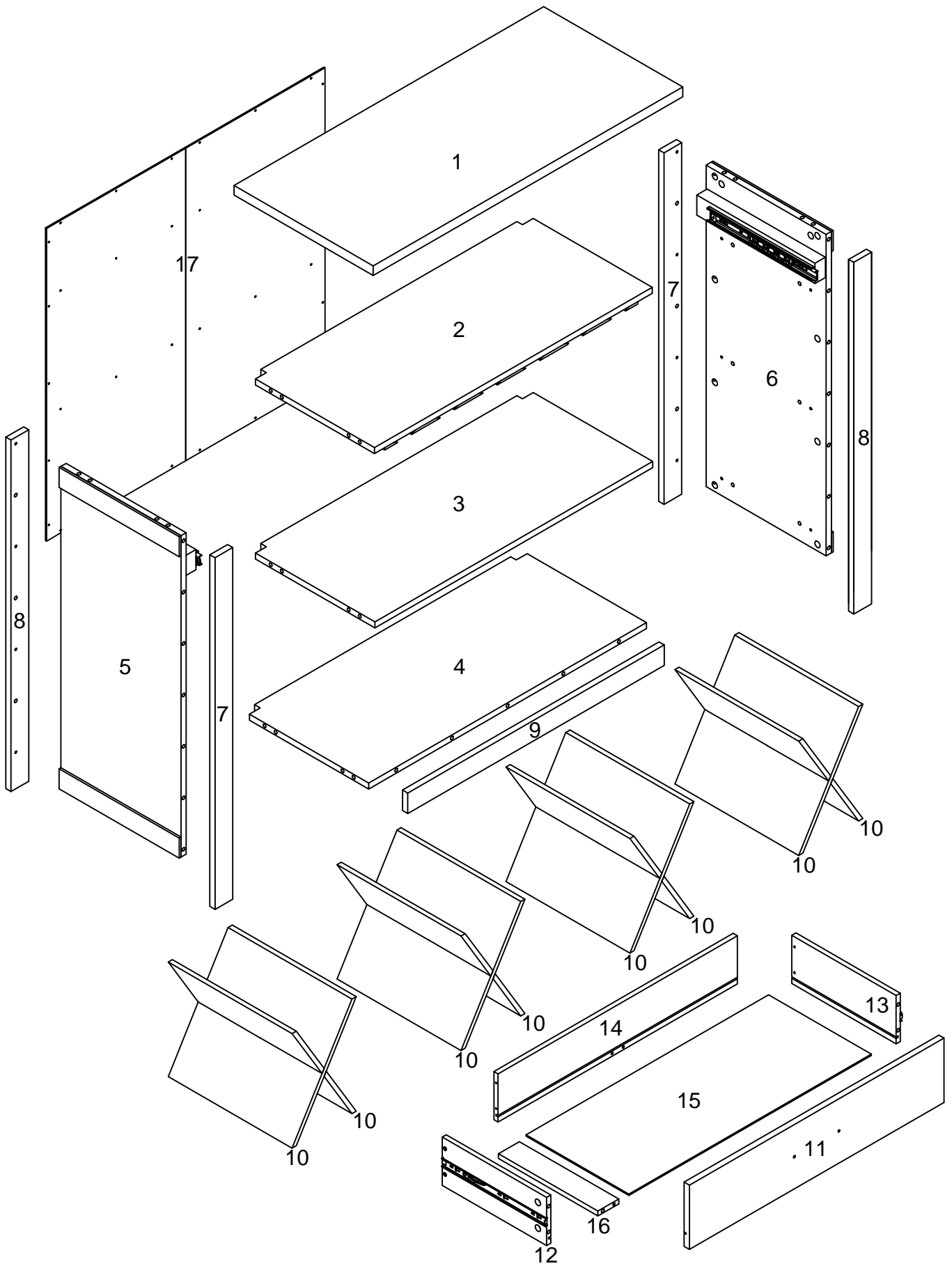
HOME SOURCE[®]

ASSEMBLY INSTRUCTION


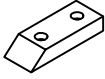


MODEL:JZ57 MOP



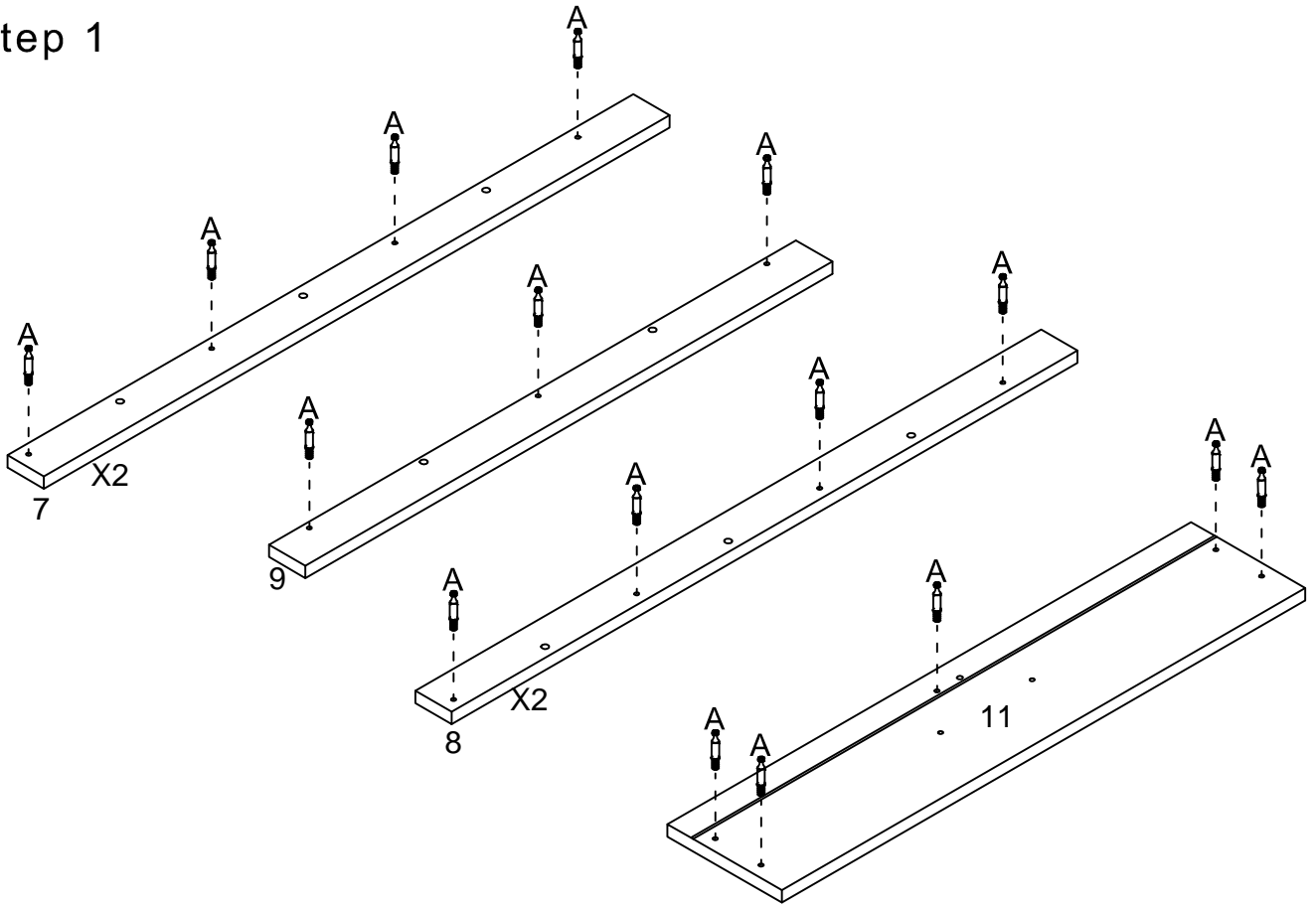
Parts List



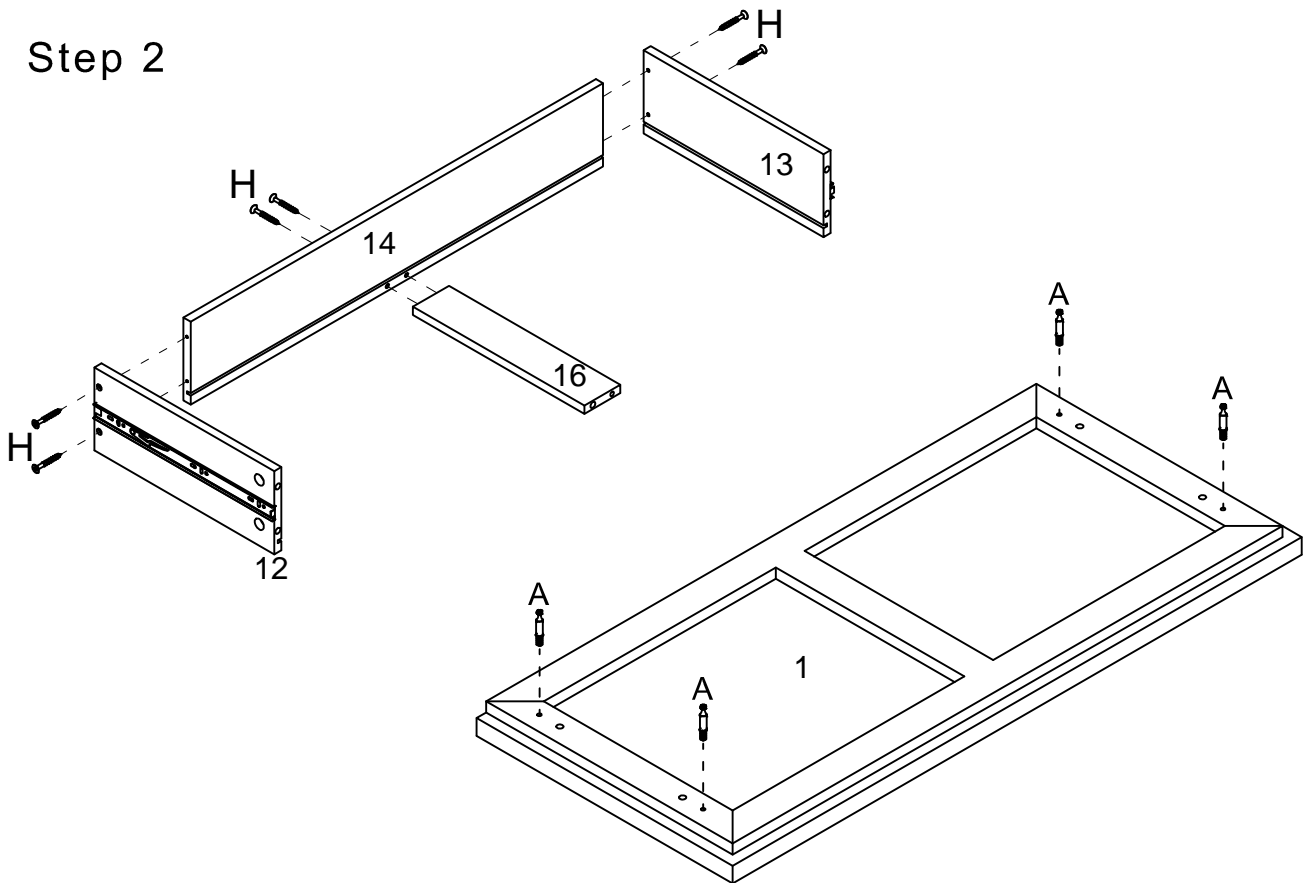
Hardware List

A		Ø5*25mm	Bolt	40 pcs
B		Ø15*11mm	Nut	35 pcs
C		Ø8*30mm	Wood Dowel	30 pcs
D		Ø15*9mm	Nut	5 pcs
E		Ø6*30mm	Wood Dowel	1 pcs
F		Ø4*15mm	Screw	8 pcs
G		40x15*7mm	Plastic block is	4 pcs
H		Ø4*30mm	Screw	6pcs
I		137*15*19mm	Handle	1 pcs
J		Ø4*20mm	Bolt	2 pcs
K		Ø3*15mm	Screw	34 pcs
L			Glue	1 pc
M			Paper Cover	10 pcs
N			Anti-Tipping Kit	2 sets

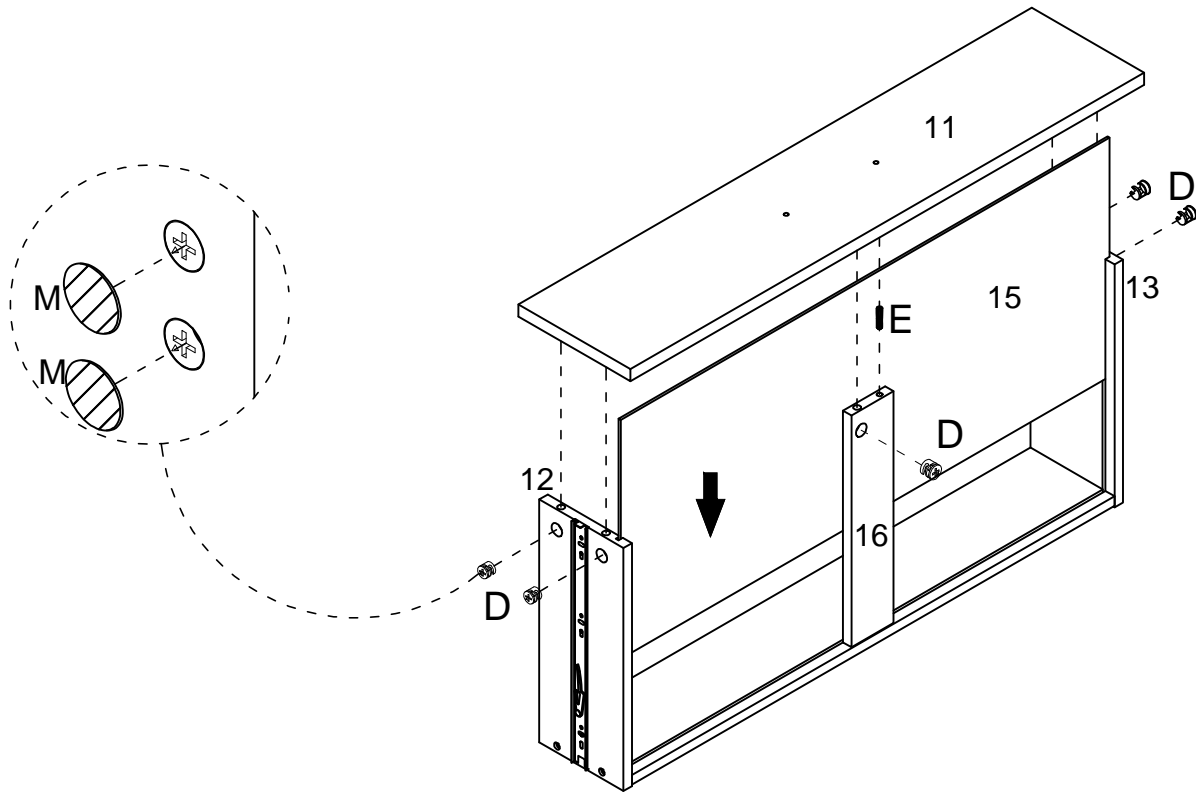
Step 1



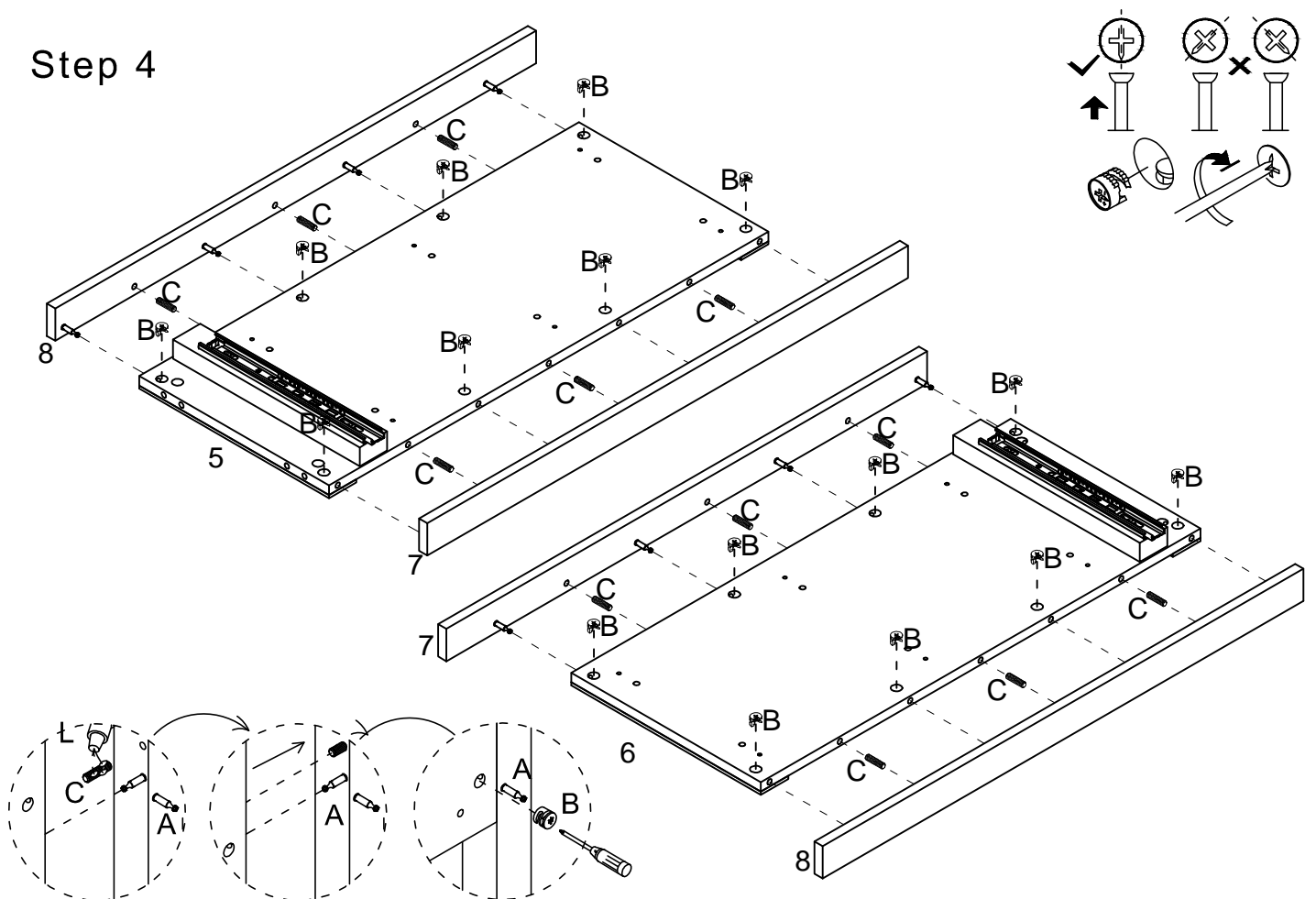
Step 2



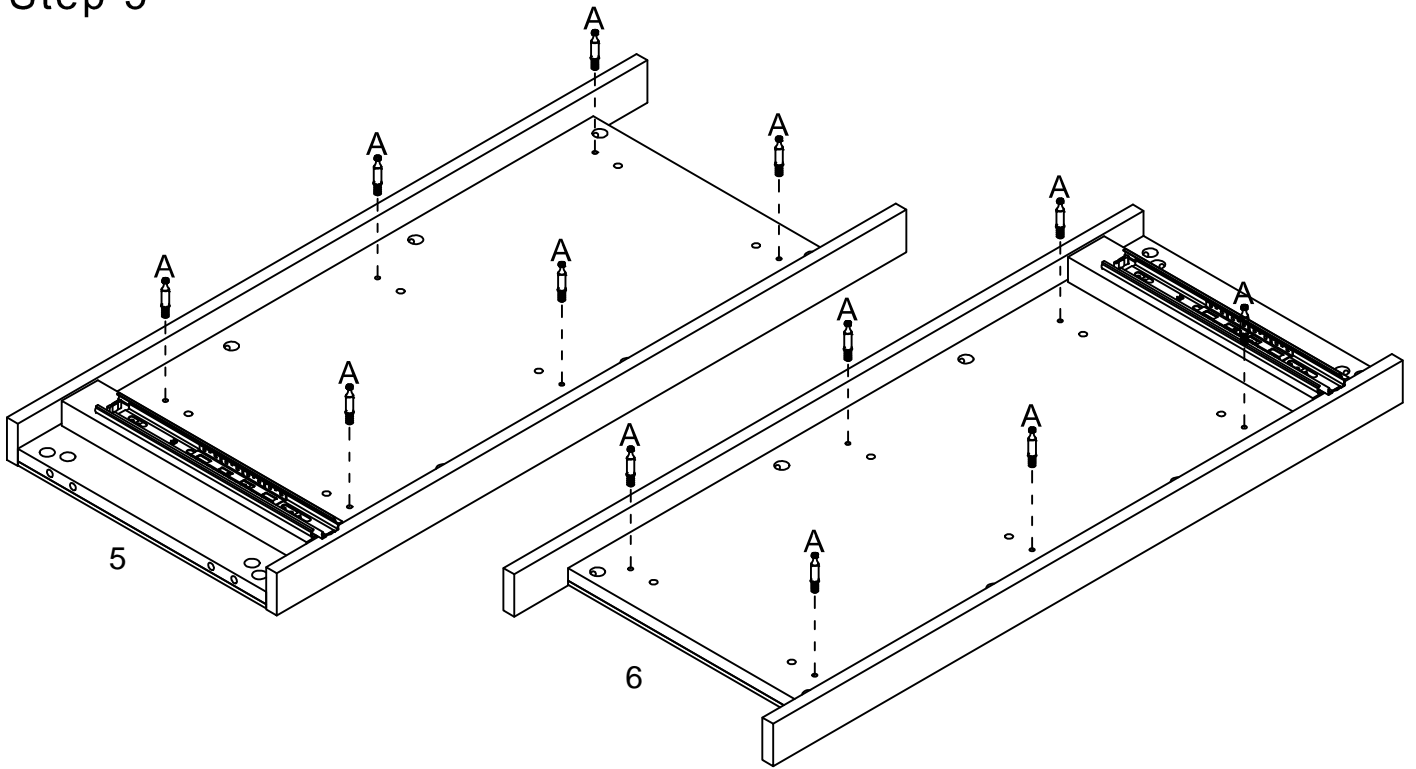
Step 3



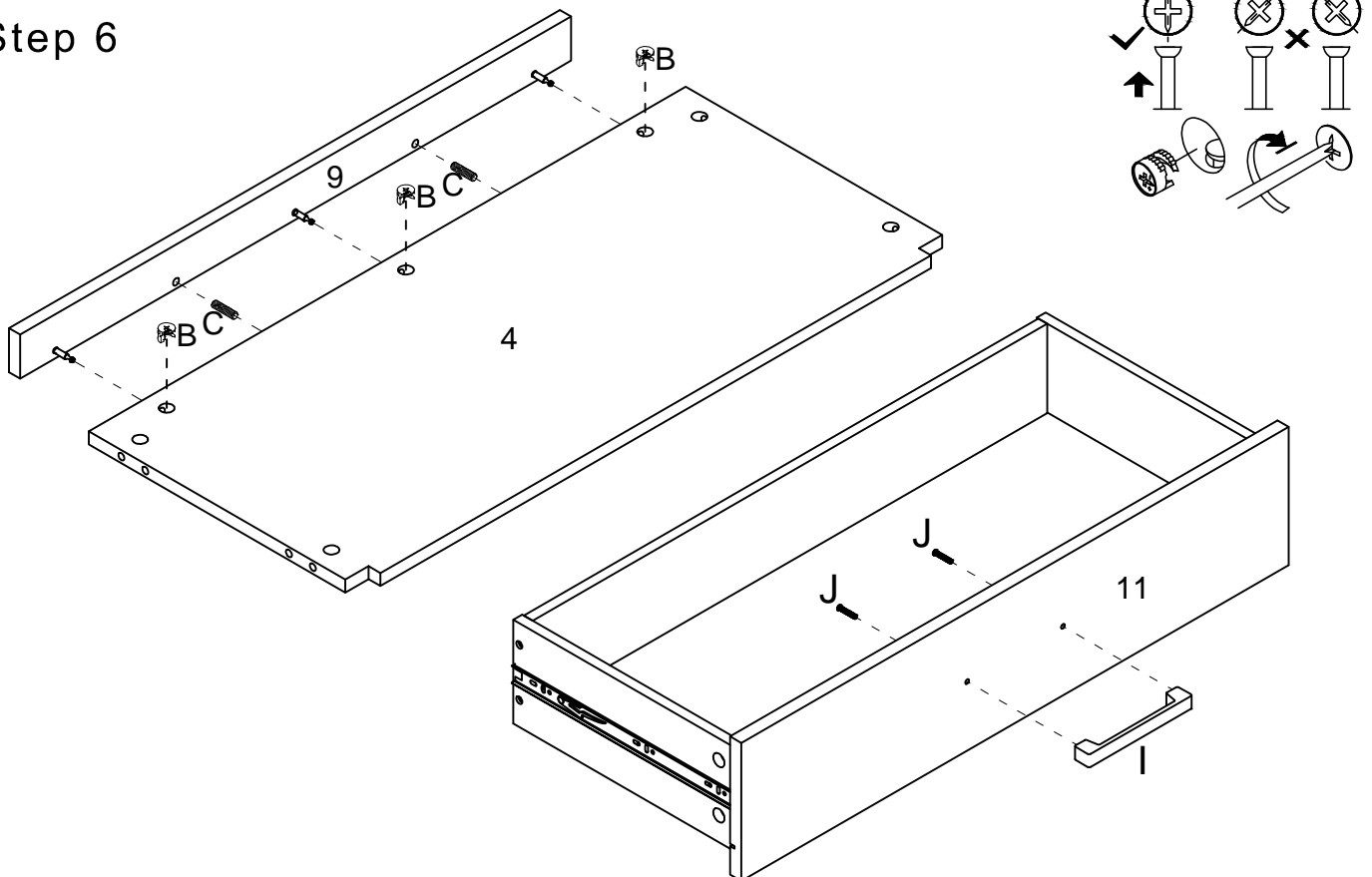
Step 4



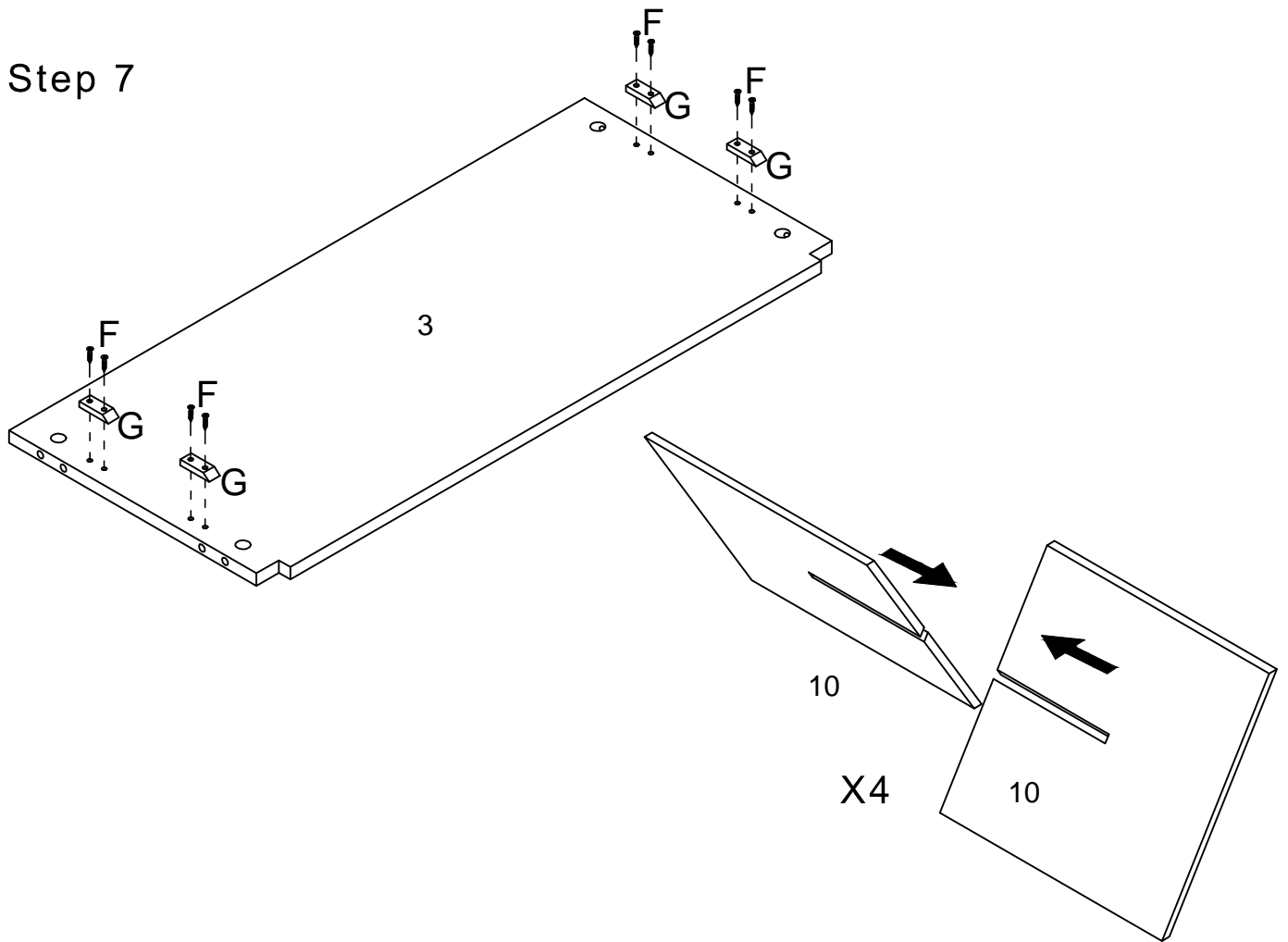
Step 5



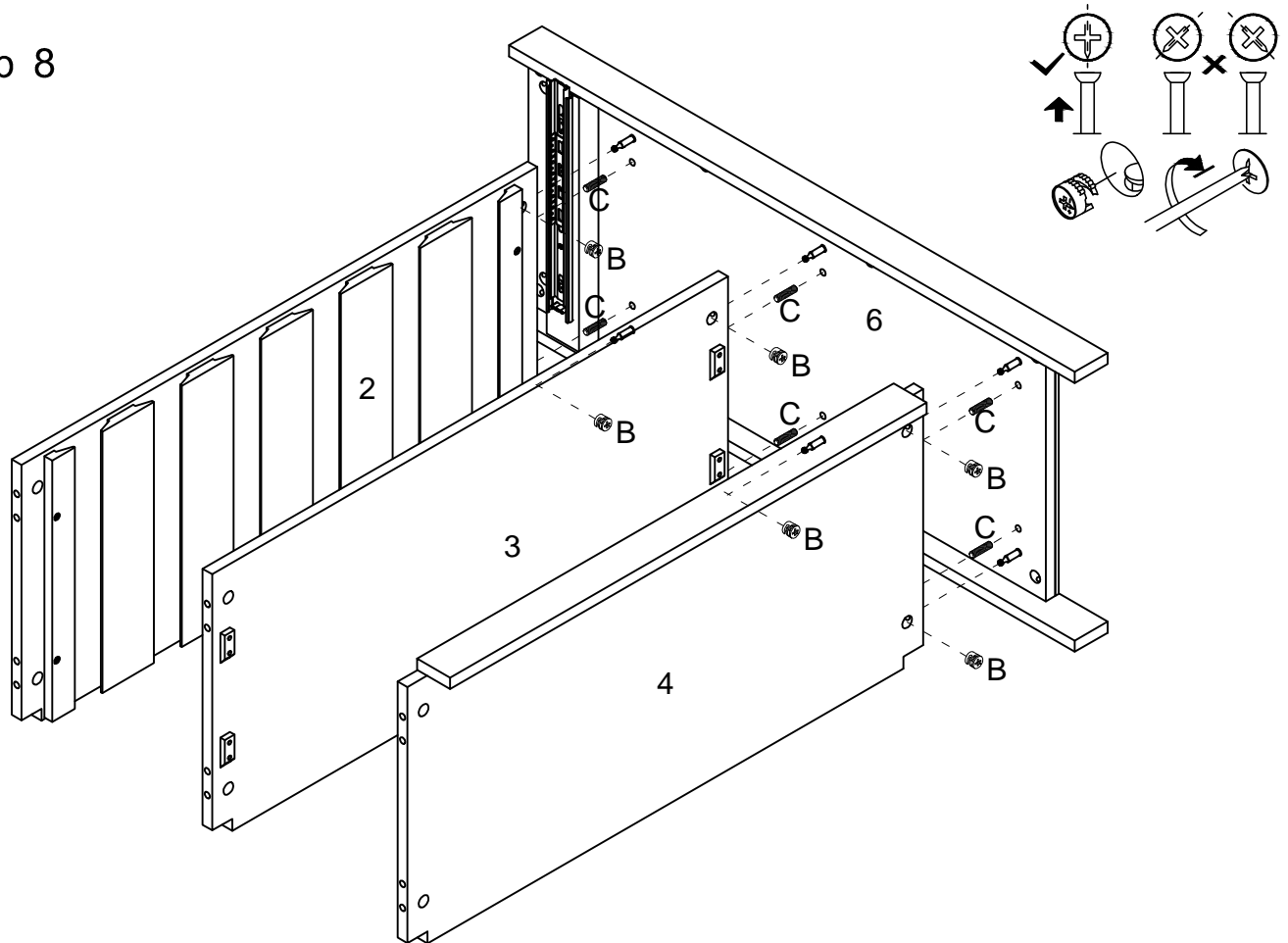
Step 6



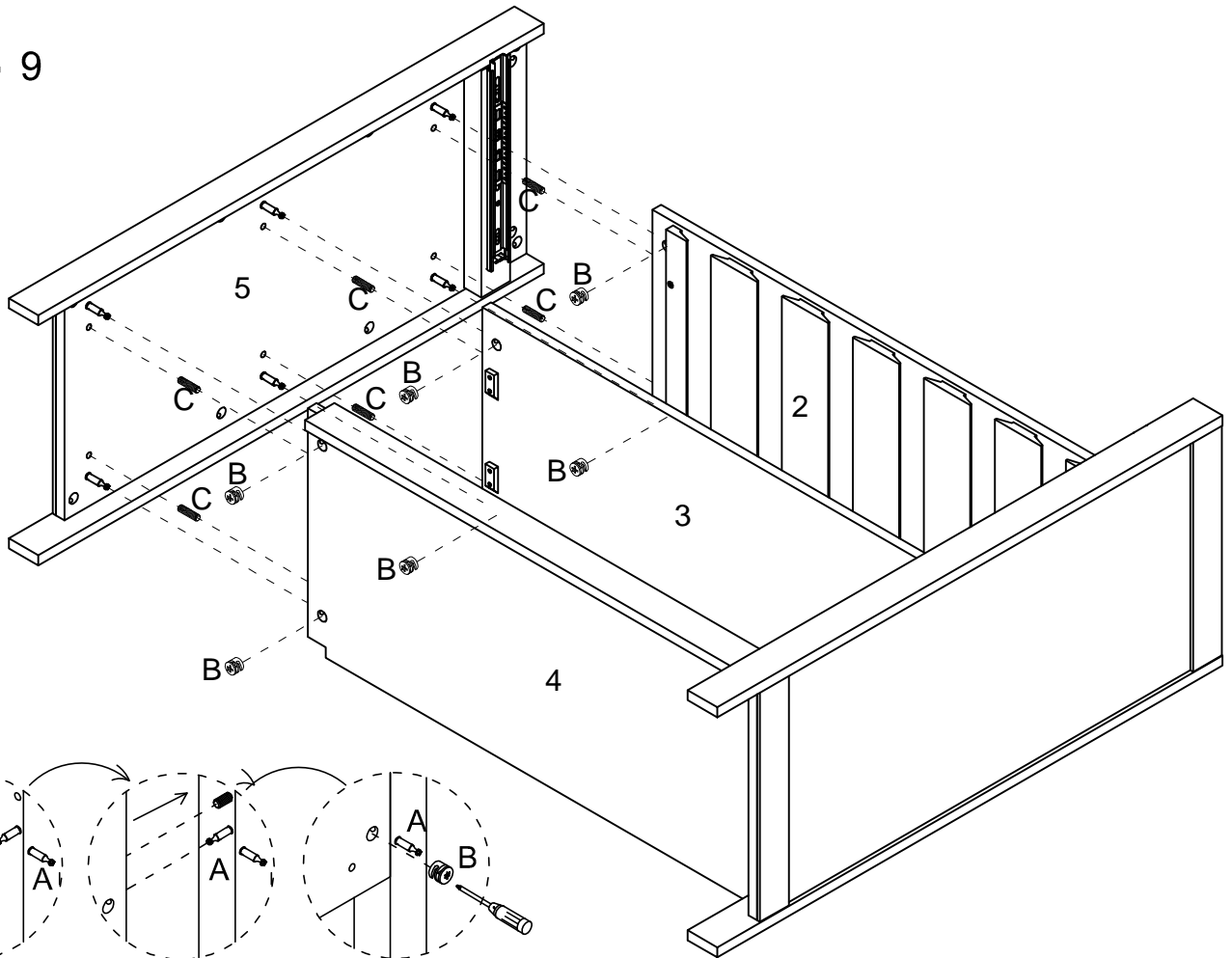
Step 7



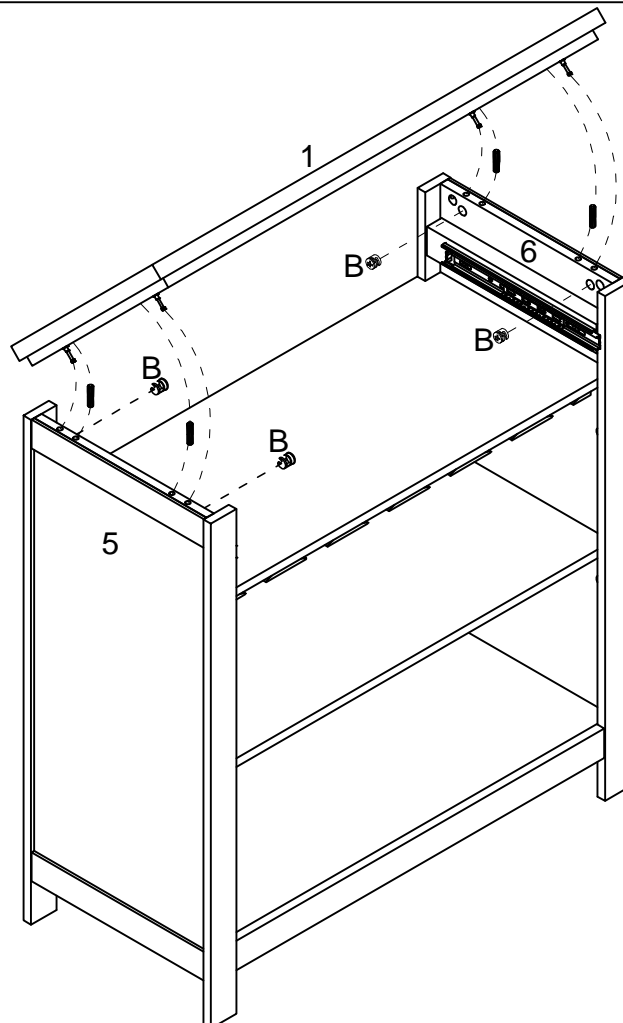
Step 8



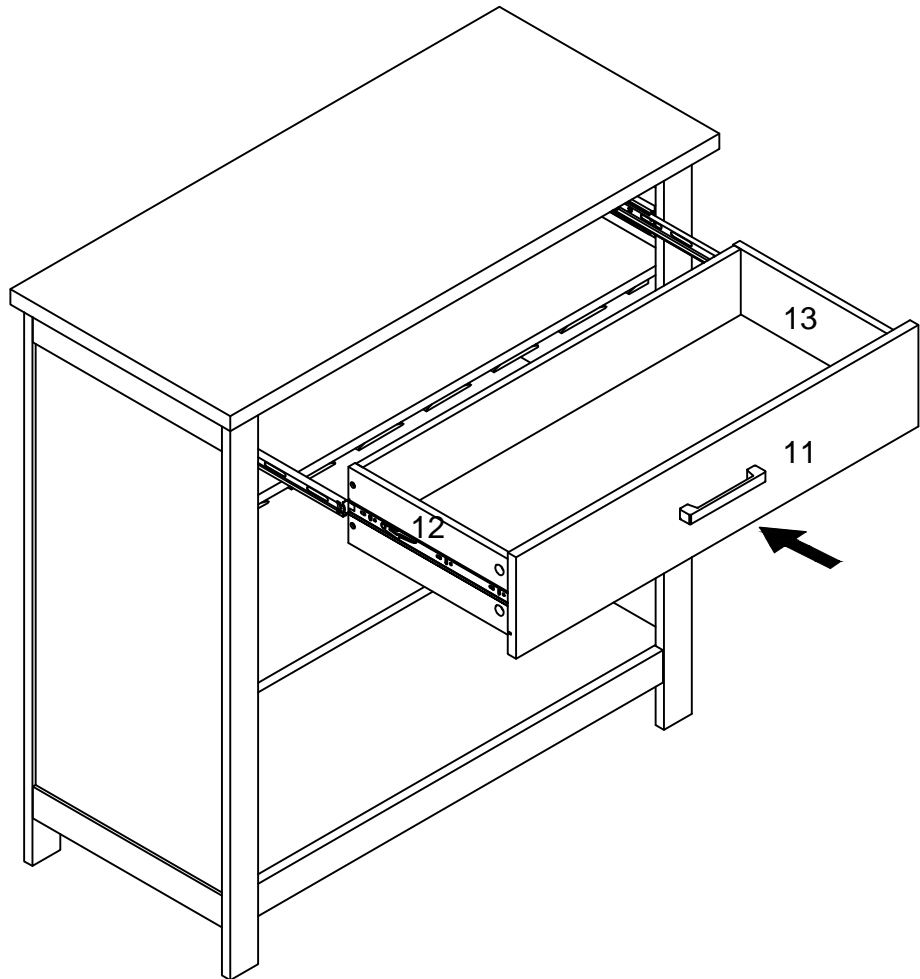
Step 9



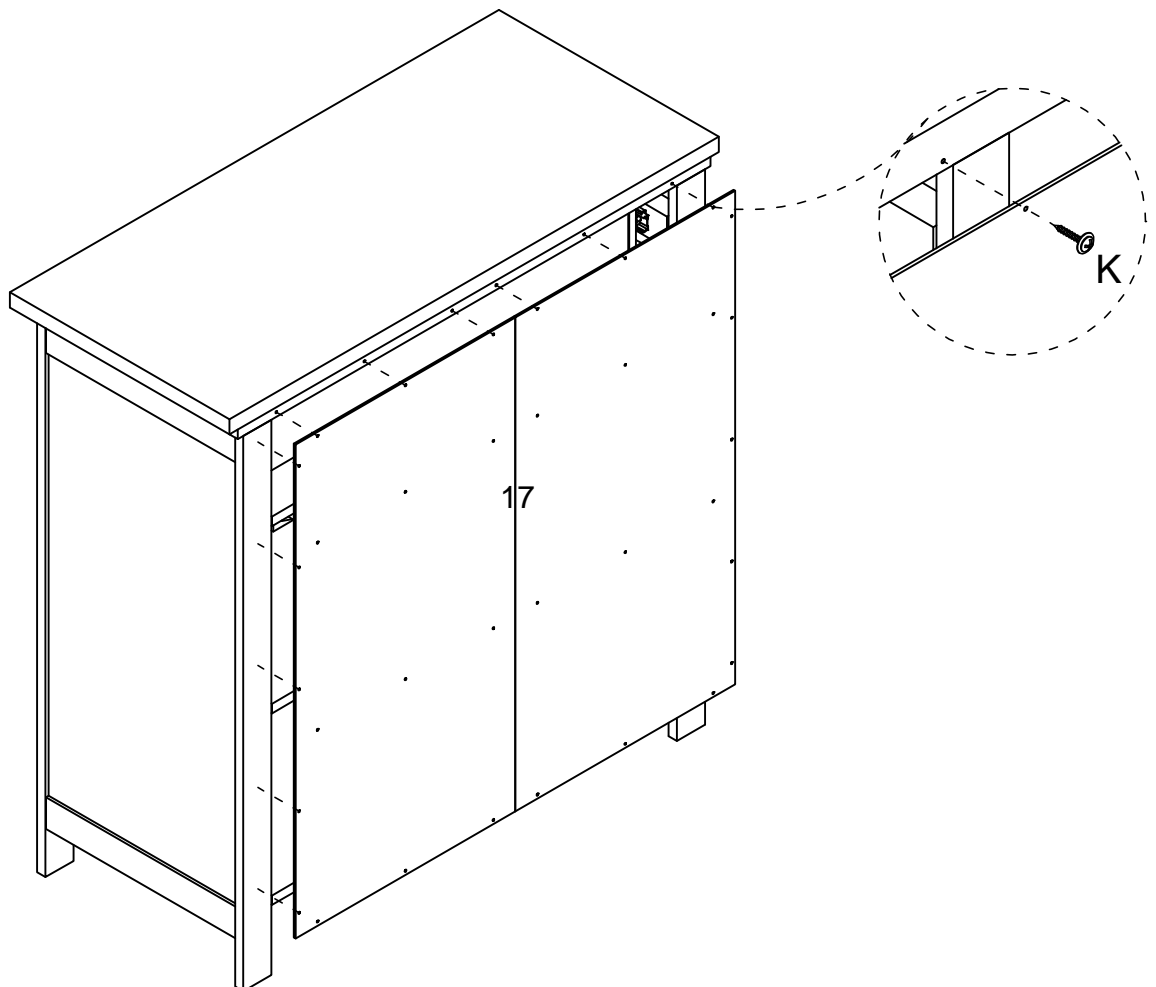
Step 10



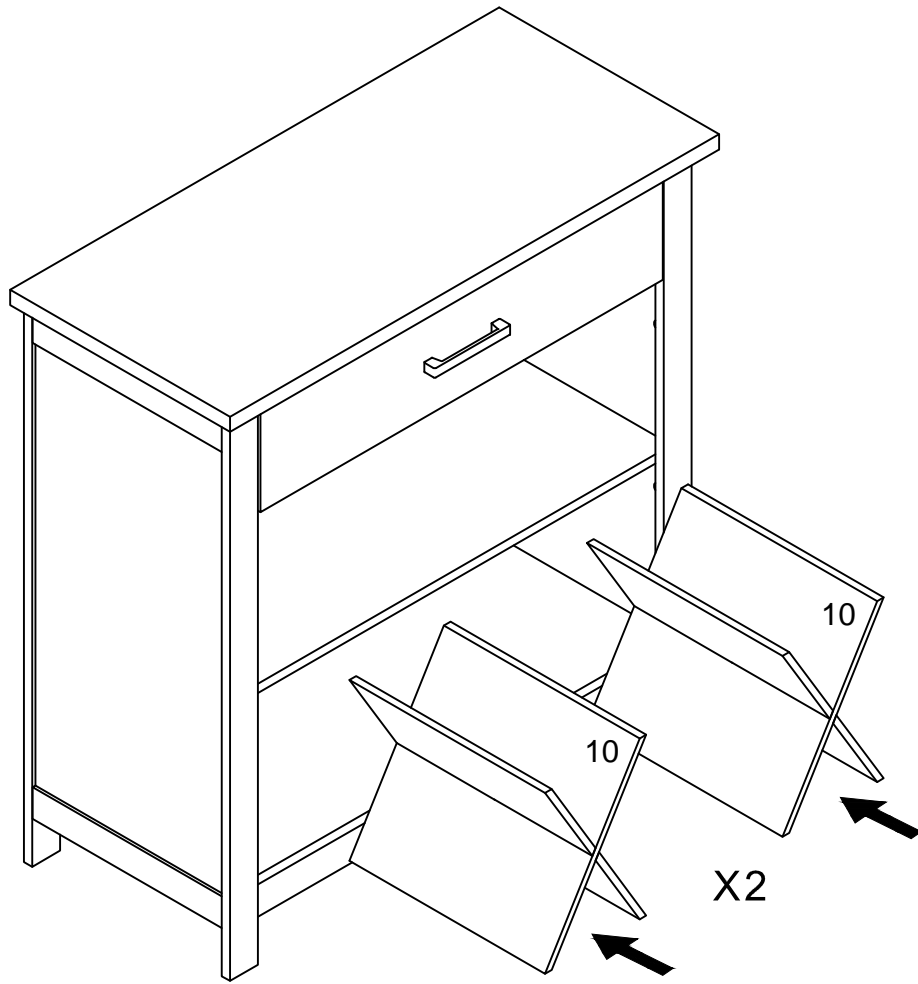
Step 11



Step 12



Step 13



Step 14

