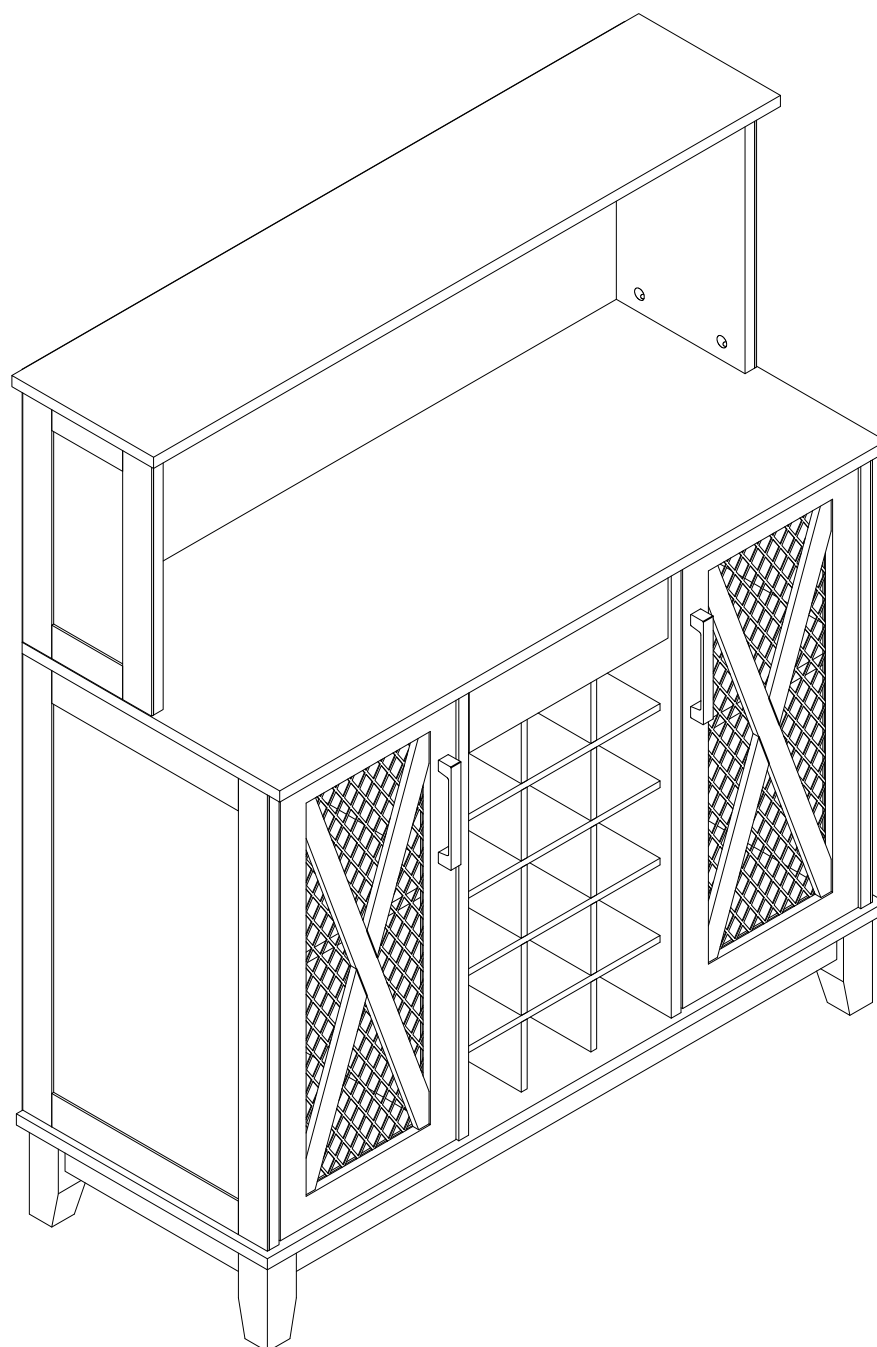
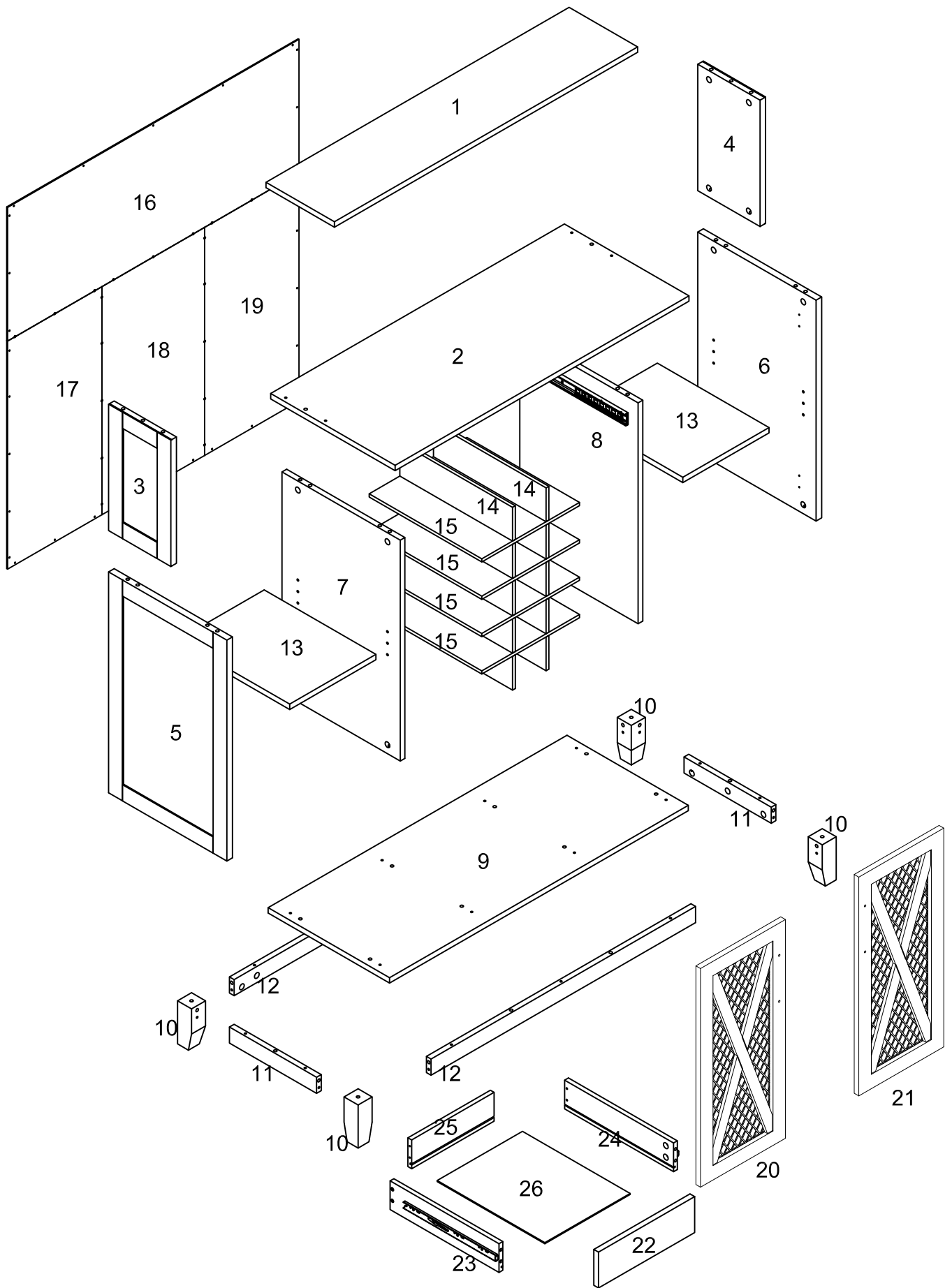


HOME SOURCE[®]




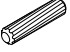

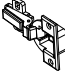






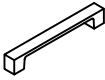
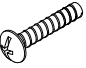

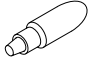


ASSEMBLY INSTRUCTION
MODEL: JZ21 MOP



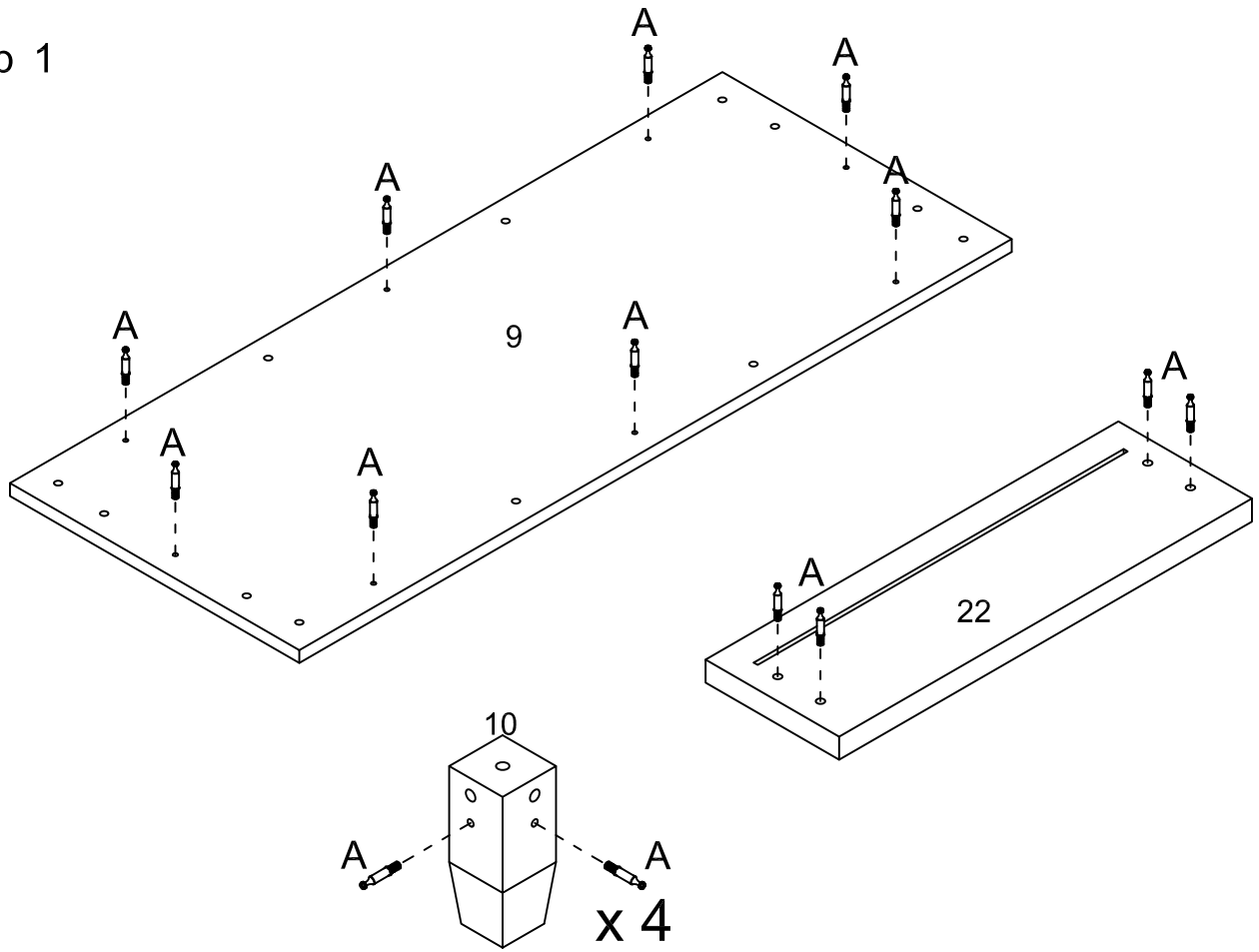
Parts List



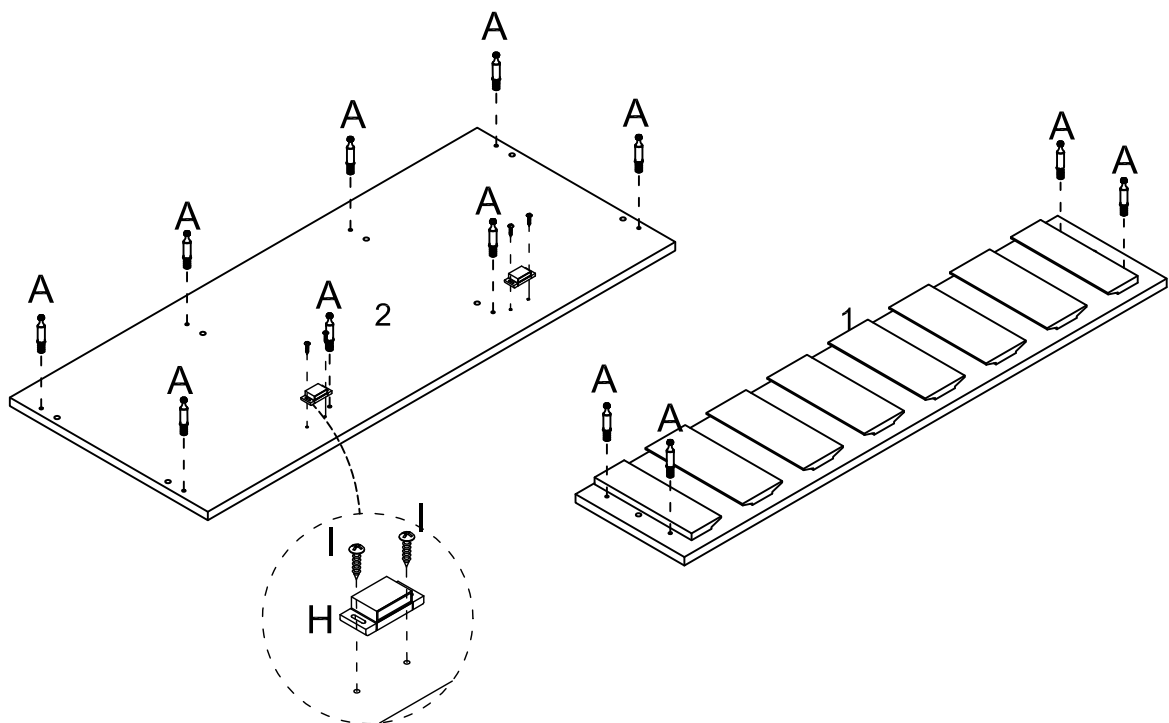
Hardware List

A		Ø5*25mm	Bolt	44 pcs
B		Ø15*11mm	Nut	40 pcs
C		Ø15*9mm	Nut	4 pcs
D		Ø8*30mm	Wood Dowel	40 pcs
E		Ø5*16mm	Shelf Support	8 pcs
F		Ø26mm	Hinge	4 pcs
G		Ø4*15mm	Screw	16 pcs
H		44x16x12mm	Magnet	2 pcs
I		Ø3.5*15mm	Screw	4 pcs
J		30x22x1mm	Iron Sheet	2 pcs
K		Ø2*12mm	Screw	2 pcs
L		Ø4*30mm	Screw	4pcs
M		137*15*19mm	Handle	2 pcs
N		Ø4*20mm	Bolt	4 pcs
O		Ø3*15mm	Screw	49 pcs
P			Glue	1 pc
Q			Paper Cover	10 pcs
R			Anti-Tipping Kit	2 sets

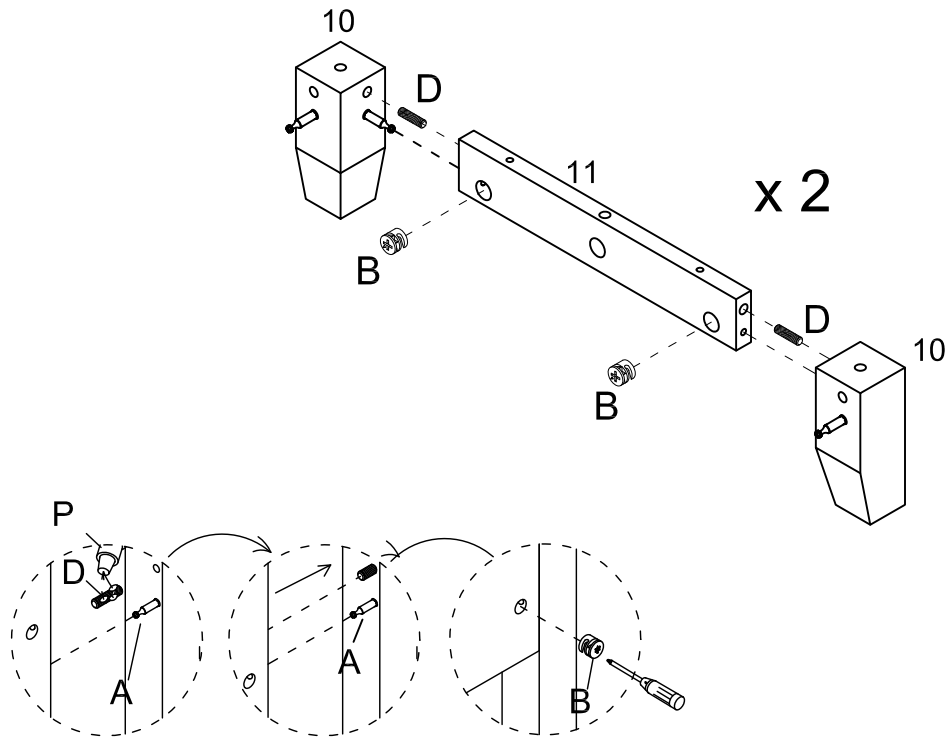
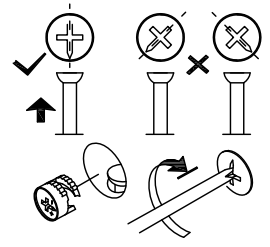
Step 1



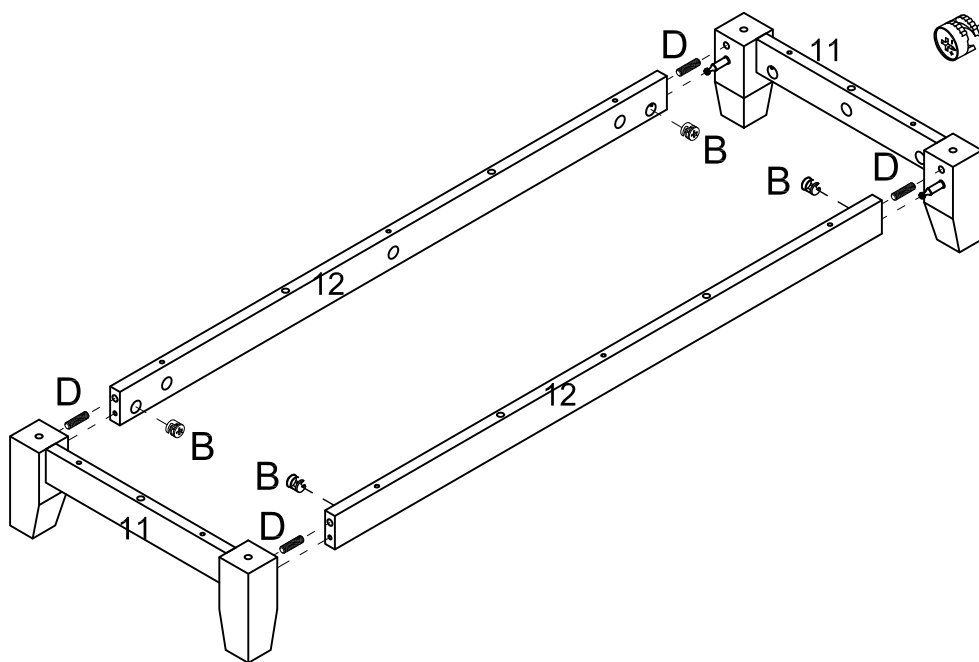
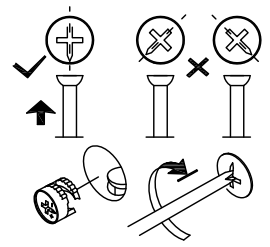
Step 2



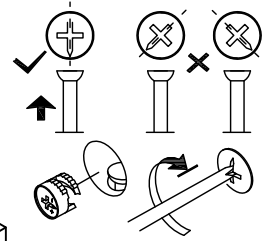
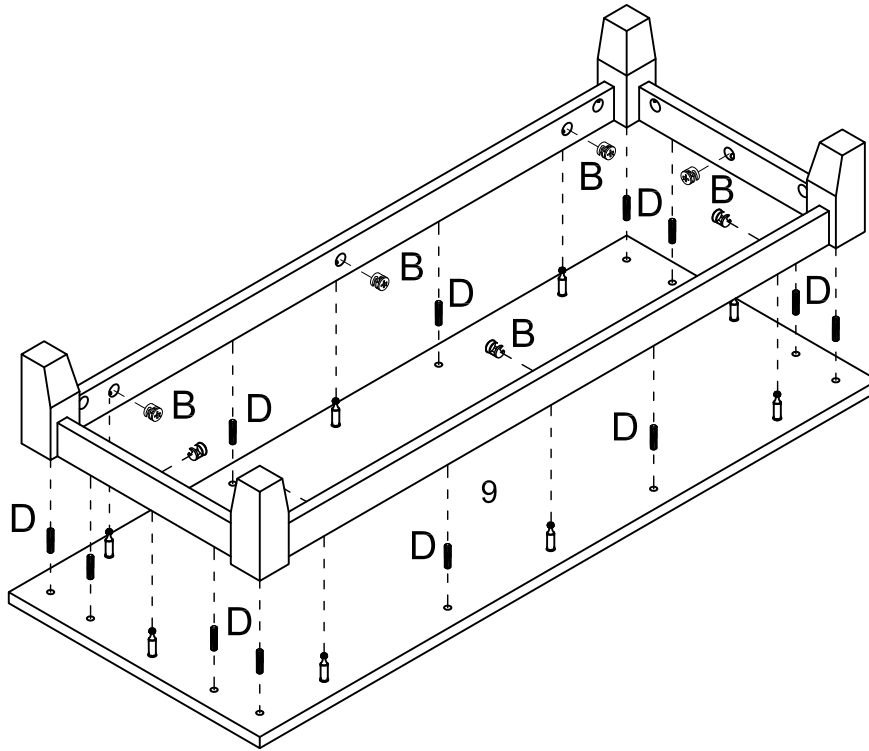
Step 3



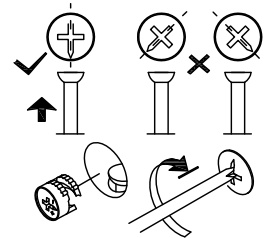
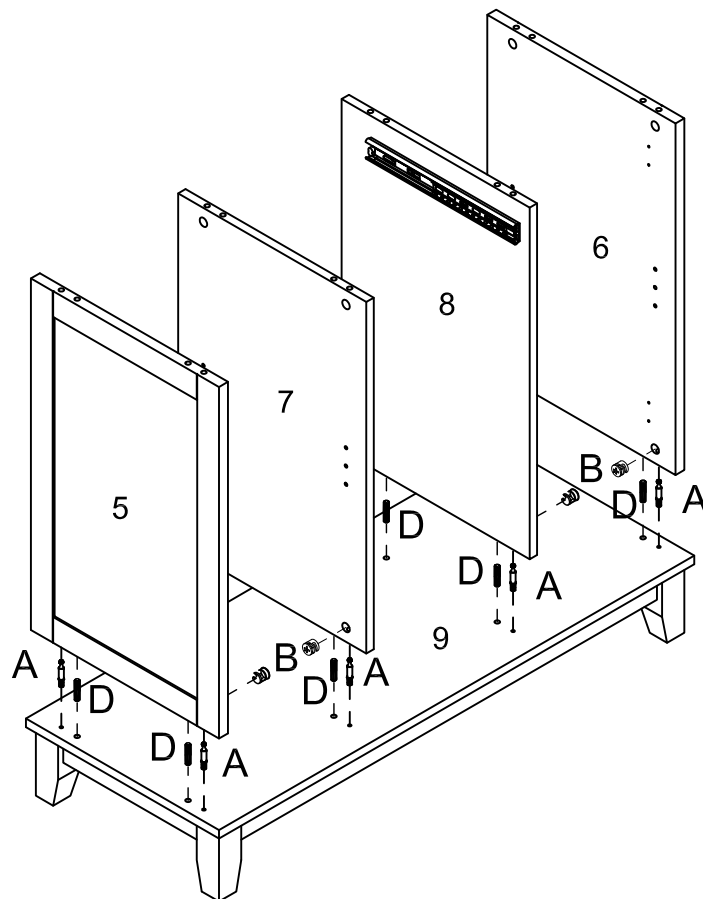
Step 4



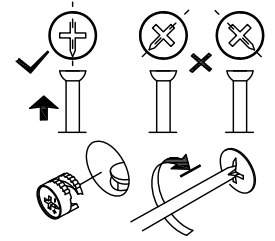
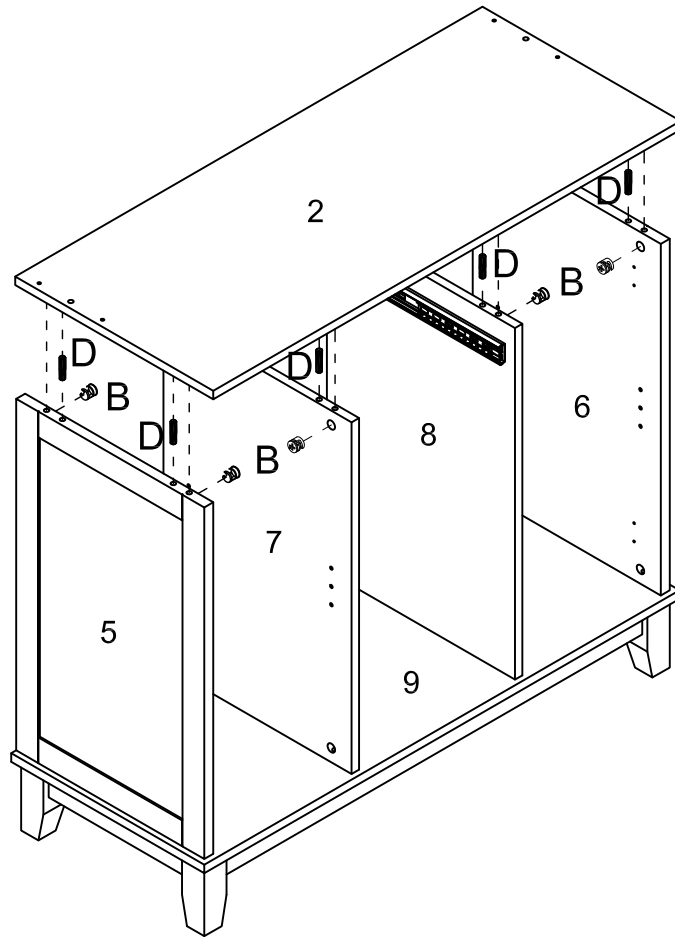
Step 5



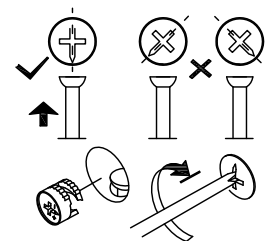
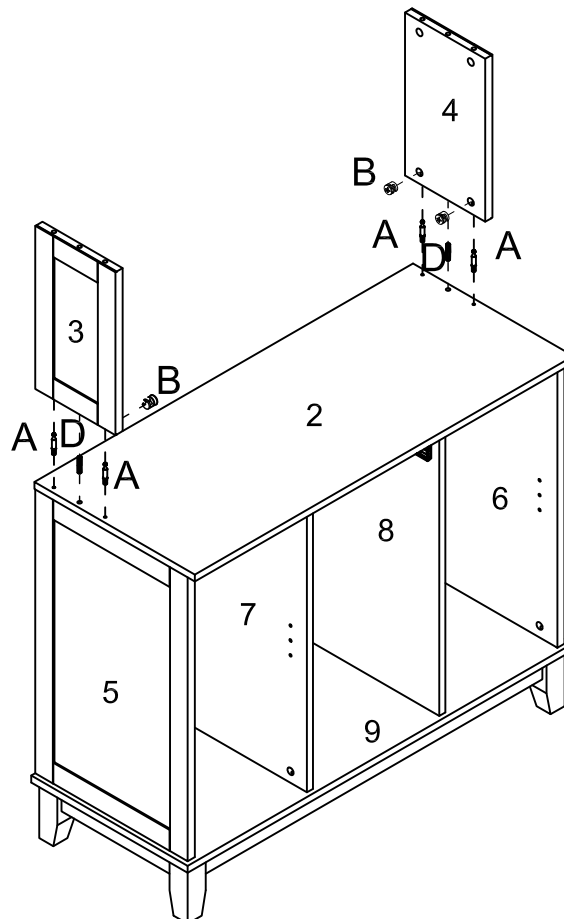
Step 6



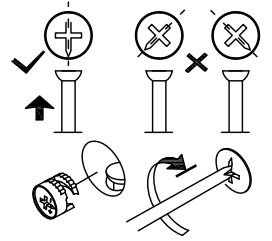
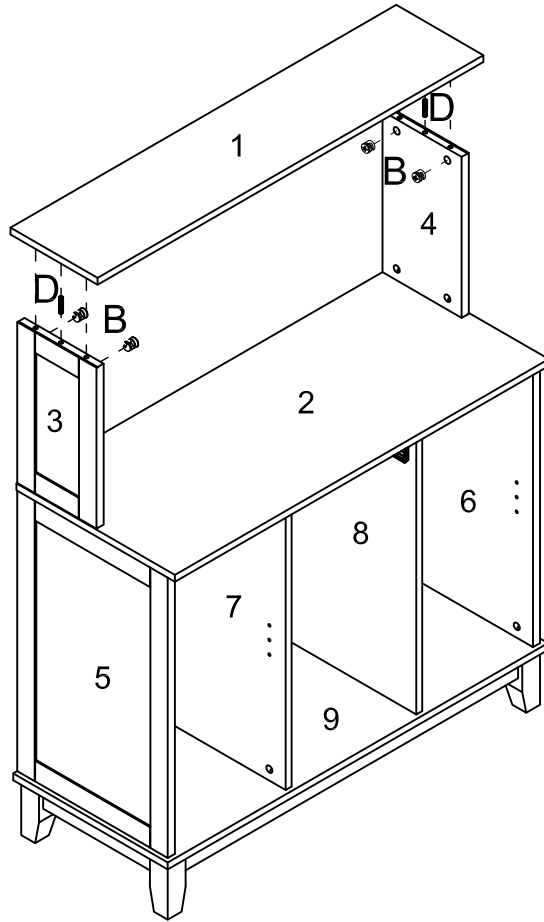
Step 7



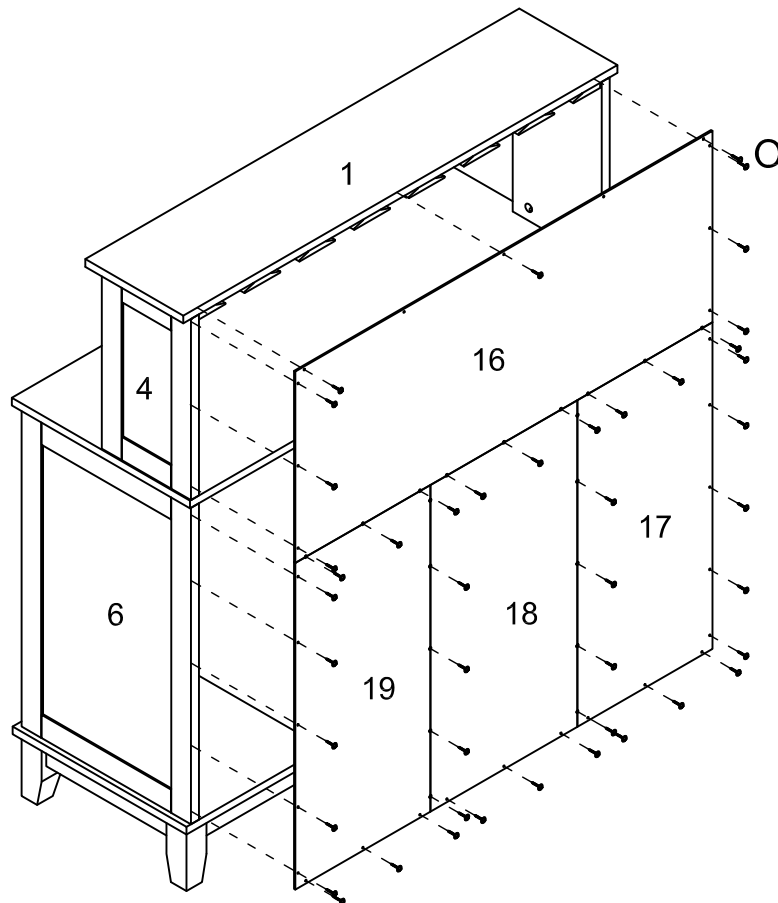
Step 8



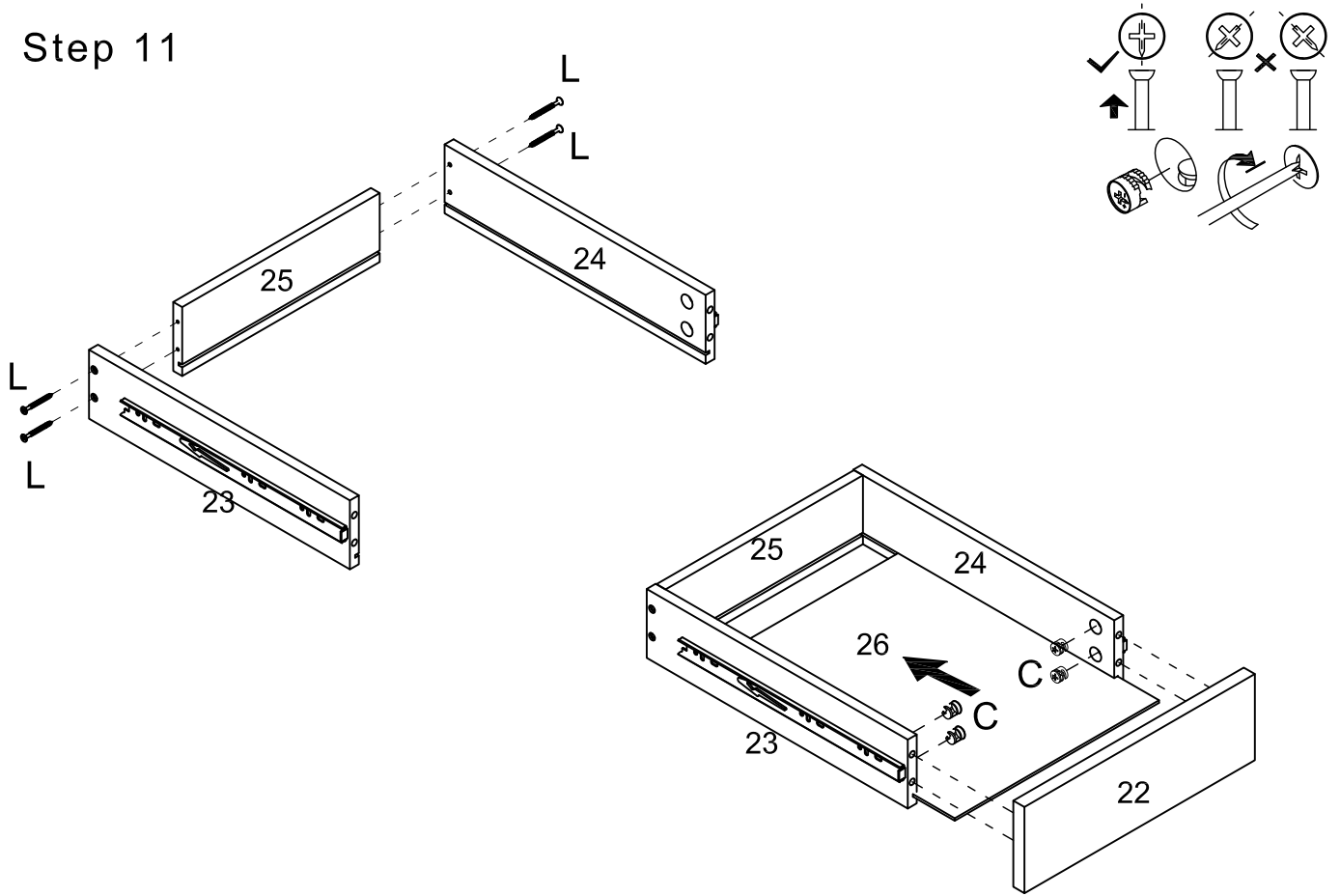
Step 9



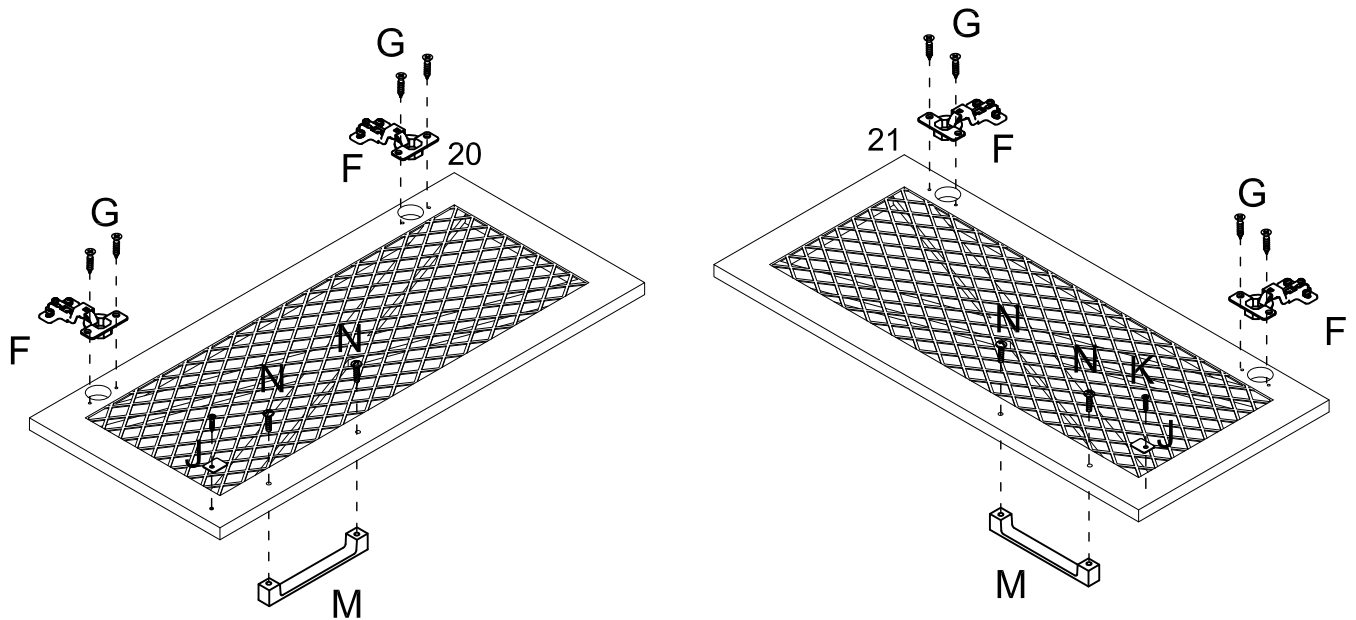
Step 10



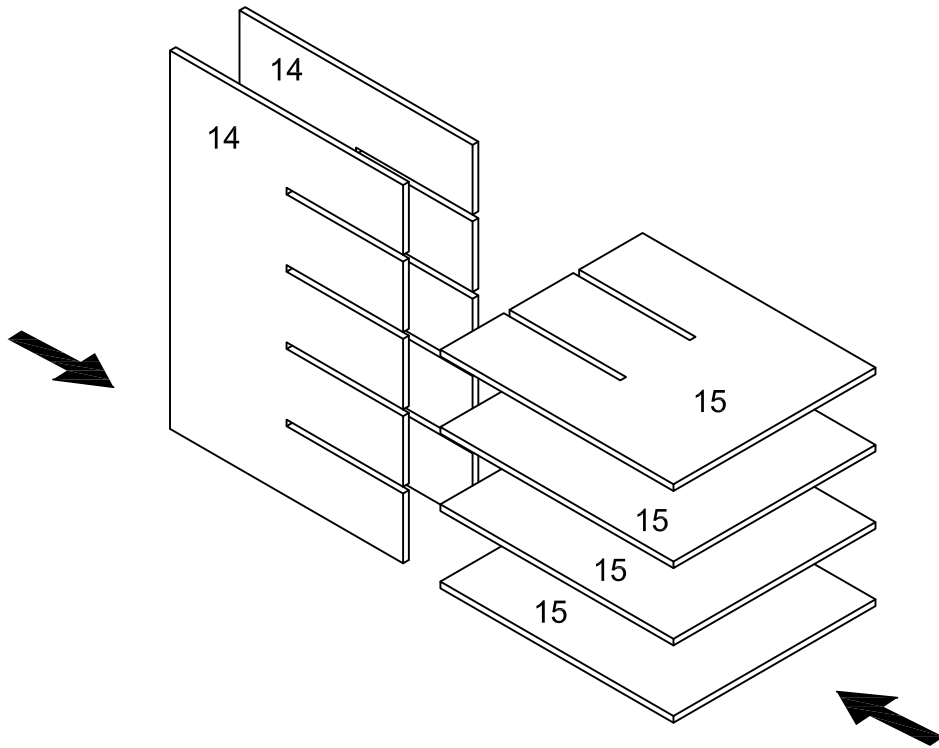
Step 11



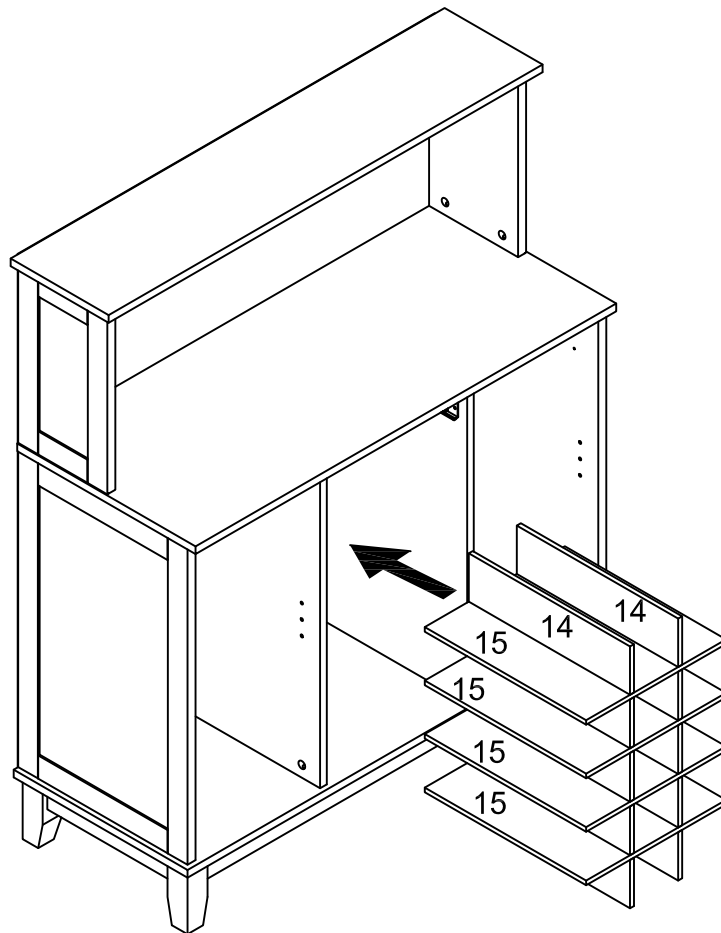
Step 12



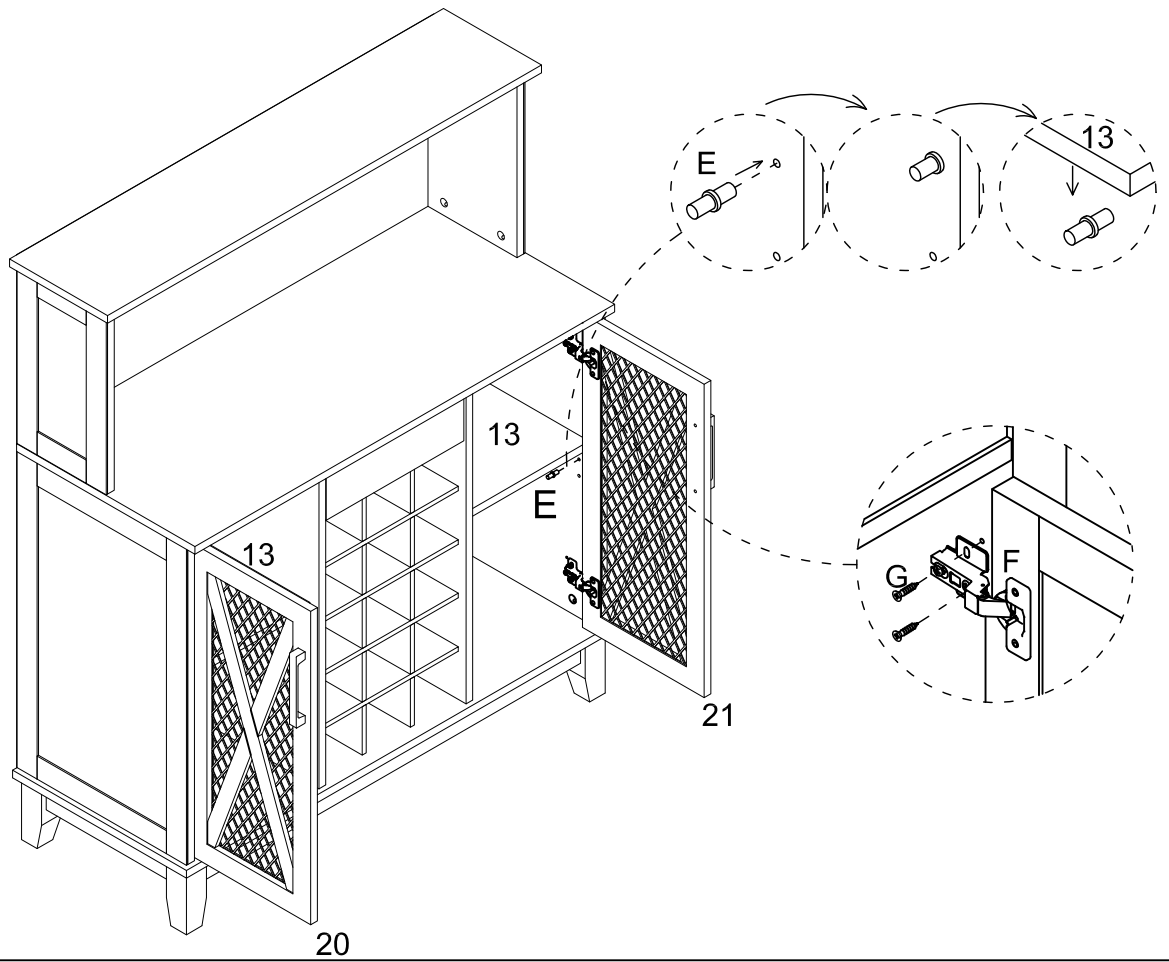
Step 13



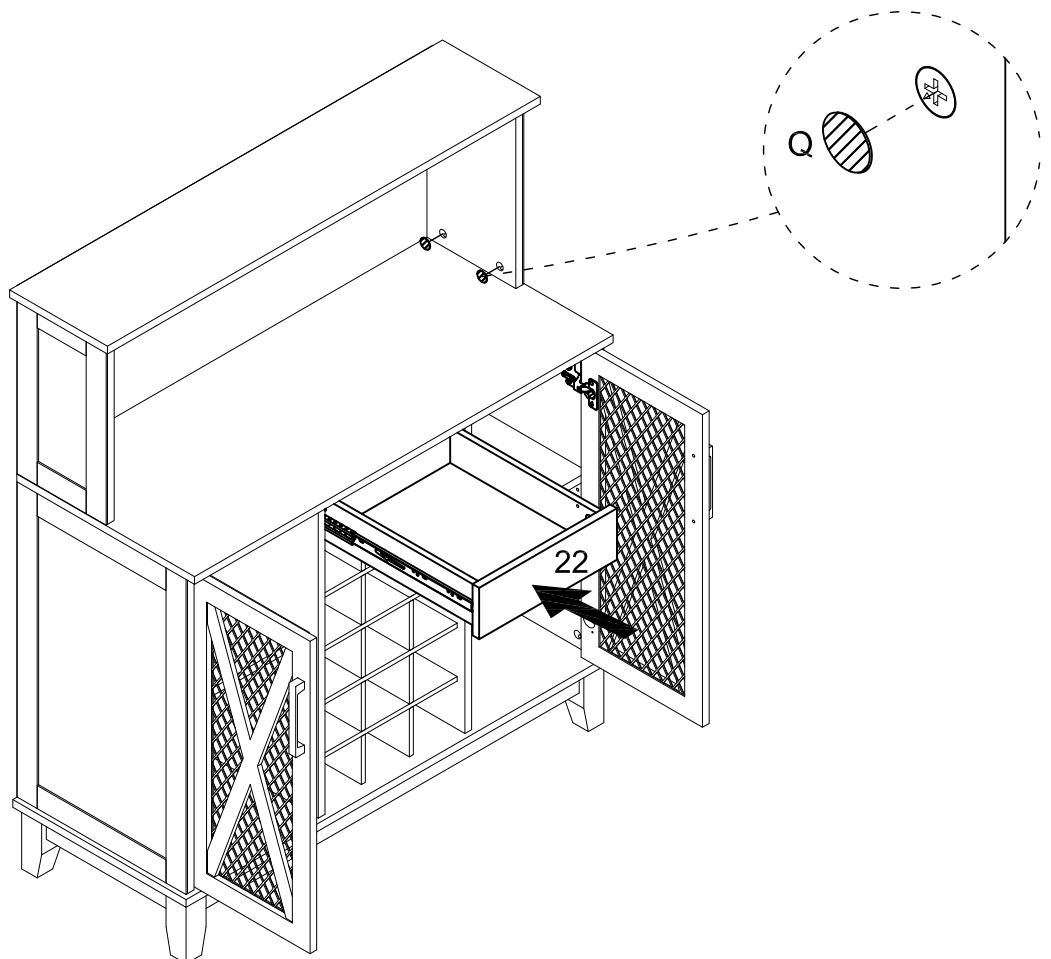
Step 14



Step 15



Step 16



Step 17

