

CONSUMER WARRANTY & SERVICE INFORMATION

*Distributors ONLY warrant products with an active
Warranty Registration*

ALWAYS ACTIVATE YOUR WARRANTY IMMEDIATELY ON
<https://nauticaseascooters.com/pages/warranty>

Distributors in the United States and Canada provide a Standard Limited Warranty for 6 months from the date of purchase for new products. If you're not located in the United States or Canada, please contact your Local Distributor for warranty arrangements in your territory. Please visit www.seascooter.net for Distributor / Service Center details. Distributors ONLY warrant NAUTICA Seascooter products purchased from an authorized dealer and with an original purchase receipt. All warranties are limited to a single original owner on the purchase of new and current product from an authorized reseller. Closeouts, Discontinued and Secondary sales of any kind including "like new" or out of box are not eligible for warranty consideration.

This warranty gives the consumer specific legal rights, and those rights may vary from place to place. Ask your Local Distributor for the warranty period in your region by calling their Service Center. Any part of the product supplied by the Distributor and found in the reasonable judgment of the Distributor to be defective in material or workmanship will be repaired or replaced then returned by the Distributor without charging for parts and repair costs. The product including any defective part must be sent to the Distributor within the warranty period. The customer will pay for the expense of delivering the product to the Distributor.

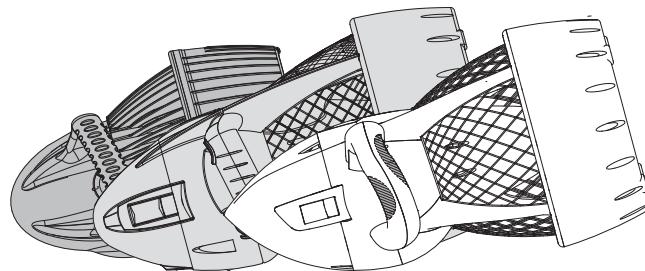
This warranty does not cover any product that has been subject to misuse negligence or accident, or that has been operated in any way contrary to the operating instructions as specified in the User Manual. Any flood, loss or damage, for any reason, that is caused by accidental release and sinking of the unit, or from flooding an O-ring sealed or water tight area will not be covered under warranty. This warranty does not apply to theft, loss, abuse or tampering, lack of maintenance, improper storage, exposure to excessive temperature, extended sunlight, material interactions, deteriorating chemicals or fumes, any damage to the product that is the result of improper maintenance or parts replacement performed by someone other than the official Distributor Service Center or to any product that has been altered or modified so as to change its intended use. This warranty does not extend to repairs made necessary by normal wear or by the use of parts or accessories which are either incompatible with the product or adversely affects its operation, performance or durability.

← SEE NEXT PAGE

LICENSED PRODUCT

NAUTICA

MARLIN SKIPPER NAVIGATOR



User Manual
English Version

BC



WARNING:

Only adult can use the battery charger to charge the battery.

(For USA Regulation Only)

This device complies with Part 15 of the FCC Rules. Operation is subject to the following two conditions:

- (1) This device may not cause harmful interference, and
- (2) This device must accept any interference received, including interference that may cause undesired operation.

Warning: Changes or modifications to this unit not expressly approved by the party responsible for compliance could void the user's authority to operate the equipment.

NOTE: This equipment has been tested and found to comply with the limits for a Class B digital device, pursuant to Part 15 of the FCC Rules. These limits are designed to provide reasonable protection against harmful interference in a residential installation. This equipment generates, uses and can radiate radio frequency energy, if not installed and used in accordance with the instructions, may cause harmful interference to radio communications.

However, there is no guarantee that interference will not occur in a particular installation. If this equipment does cause harmful interference to radio or television reception, which can be determined by turning the equipment off and on, the user is encouraged to try to correct the interference by one or more of the following measures:

- Reorient or relocate the receiving antenna.
- Increase the separation between the equipment and receiver.
- Connect the equipment into an outlet on a circuit different from that to which the receiver is connected.
- Consult the dealer or an experienced radio/TV technician for help.

Introduction	1
Parts Diagram	3
Warnings	6
Fit Rubber Seal Before First Use! (for Seascooter SKIPPER and NAVIGATOR only)	9
Getting Started	13
Battery Use	15
Charging the Battery for MARLIN	19
Charging the Battery for SKIPPER / NAVIGATOR	22
Care & Maintenance	25
Trouble Shooting for MARLIN	27
Trouble Shooting for SKIPPER / NAVIGATOR	31
Camera Assembly	35
Technical Specifications	36



Discarded electrical appliances are recyclable and should not be discarded in the domestic waste! Please actively support us in conserving resources and protecting the environment by returning this appliance to the collection centers (if available).



User manual is also available in PDF format, contact your local distributor to a copy if needed.

Introduction

The Seascooter™ MARLIN gives kids a totally new experience - power performance for fun and excitement in the pool.

The Seascooter™ SKIPPER & NAVIGATOR adds a new dimension of fun and excitement to swimming and snorkeling.

Only use The SEASCOOTER™ SKIPPER, NAVIGATOR & MARLIN in a pool or in calm water and close to shore – DO NOT use in the open sea.

Use appropriate equipment such as wetsuit, approved life jacket, mask & snorkel etc. when using Seascooter.

Only operate the Seascooter in water.

-MARLIN-

- Speed up to 1 mph (1.6 km/h)
- Runs up to 60 minutes with normal use
- Rated to 10 ft / 3 m
- Weighs only 7.7 lb (3.5 kg) including battery

-SKIPPER-

- Speed up to 2 mph (3.2 km/h)
- Runs up to 90 minutes with normal use
- Rated to 15 ft / 5 m
- Weighs only 11 lb (5 kg) including battery

-NAVIGATOR-

- Speed up to 2.5 mph (4.0 km/h)
- Runs up to 60 minutes with normal use
- Rated to 30 ft / 10 m
- Weighs only 11.4 lb (5.2 kg) including battery

The Seascooter™ MARLIN, SKIPPER & NAVIGATOR feature various safety features making it safe for kids ages 8 and up. These are positive buoyancy, protective grilles, auto shut off when triggers are released and safety lock.

Please study this manual to get the most out of your Seascooter™ MARLIN / SKIPPER / NAVIGATOR.



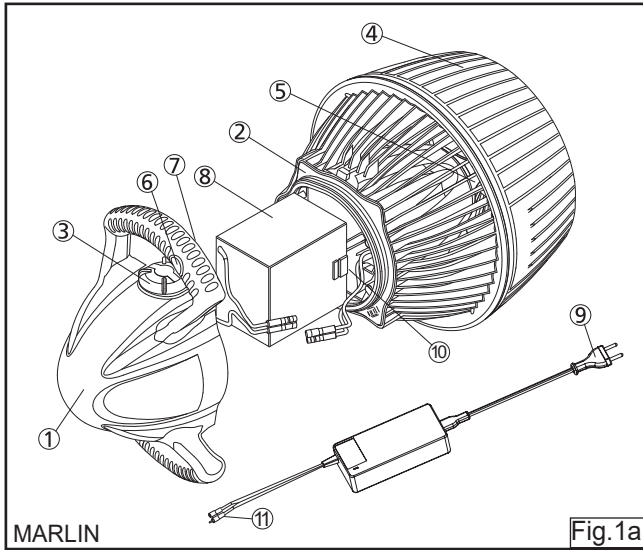
The Seascooter is designed for use in seawater. It will have less buoyancy in fresh water, lake or pool and may sink in such waters.



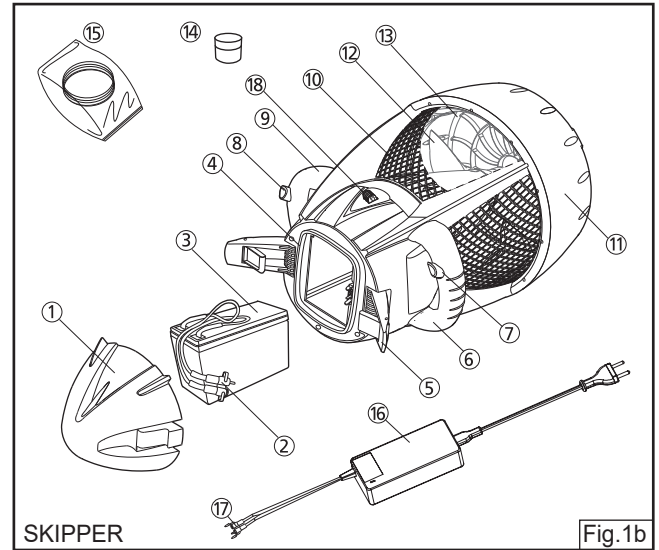
WARNING:

Seascooter is to be operated in water only when fully assembled in accordance with the instruction.

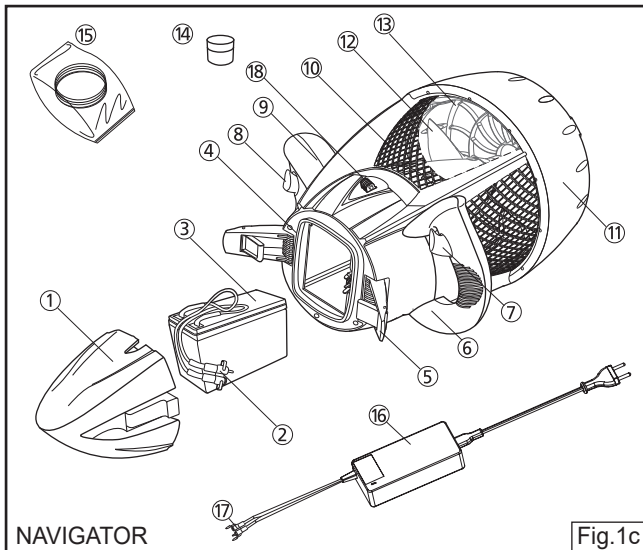
Parts Diagram



- | | |
|------------------------|----------------|
| ① Nose Cone | ⑨ Charger |
| ② Nose Cone Seal | ⑩ Battery Clip |
| ③ Latch | ⑪ Charger Jack |
| ④ Nozzle | |
| ⑤ Propeller | |
| ⑥ On/Off Trigger | |
| ⑦ Master Switch | |
| ⑧ Rechargeable Battery | |



- | | |
|-------------------------------|-----------------------------|
| ① Nose Cone | ⑩ Front Grille |
| ② Battery Leads and Connector | ⑪ Nozzle |
| ③ Battery | ⑫ Propeller |
| ④ Seal | ⑬ Rear Grille |
| ⑤ Latch | ⑭ Silicone Grease (8 grams) |
| ⑥ Handle | ⑮ O-ring Seals |
| ⑦ ⑧ Trigger | ⑯ Charger |
| ⑨ Safety Switch | ⑰ Charger Jack |
| | ⑱ Camera Mount |



- | | |
|-------------------------------|-----------------------------|
| ① Nose Cone | ⑩ Front Grille |
| ② Battery Leads and Connector | ⑪ Nozzle |
| ③ Battery | ⑫ Propeller |
| ④ Seal | ⑬ Rear Grille |
| ⑤ Latch | ⑭ Silicone Grease (8 grams) |
| ⑥ Handle | ⑮ O-ring Seals |
| ⑦ ⑧ Trigger | ⑯ Charger |
| ⑨ Safety Switch | ⑰ Charger Jack |
| | ⑱ Camera Mount |



WARNING



- A child under 8 years old should never operate this product.
- The Seascooter is designed for 1 person use.



- This is not a life saving device. DO NOT use it as a buoyancy aid.



- Read the User Manual carefully before using the product.



- Always ensure sufficient charge remains in the battery to return to the shore surface before using the Seascooter.



- Do not use alcohol or mind-altering drugs prior to and during use of this product.



- ALWAYS inspect the swimming area to ensure it is free of hazards or obstacles such as boats or swimmers before using the Seascooter.



- Be aware of appropriate water levels, tidal changes, dangerous currents, weather change and strong offshore winds. ALWAYS scout unfamiliar water before venturing out.



- Crushing / Cutting Hazard



- Do not attach your body, clothing, other equipment to the seascooter in any way.



- ALWAYS wear a life vest (personal floatation device - PFD) approved by your local authorities for Snorkeling (U.S. Coast Guard Type III vest in the US or Canadian Coast Guard approved life vest in Canada or SAI Approval PFD in Australia or CE Approved PFD in Europe).



- Never place body parts, clothing or other objects in the vicinity of the propeller. Do not wear loose or flowing clothing or equipment that could be drawn into the propeller.



- Particular care should be exercised when using the Seascooter near anybody with long hair. Users with long hair should tie it up or wear a swimming cap when using the Seascooter.



- Be careful when you are transporting the Seascooter and setting it down to avoid crushing hazard on hands, foot or toes.



- Only to be used in water in which the child is within its depth and under supervision.



CAUTION

- An adult must be responsible for battery safety at all times, during use, storage and charging.
- Use in a pool or in calm water and close to shore – DO NOT use in the open sea.
- Always charge battery to its maximum before using the SEASCOOTER™. After charging is complete the battery will continue to emit gas. Wait at least 30 minutes after charging before removing the battery from the charger or placing the battery into the battery housing. Failure to do so could result in an explosion.
- ALWAYS remove the battery from the unit when not in use.
- ALWAYS keep the SEASCOOTER™ out of direct sunlight when not in use. HEAT KILLS BATTERIES AND IT MAY EXPLODE OR LEAK.
- DO NOT store the battery in the unit.
- In different waters (seawater, lake, pool) and conditions such as currents, temperature and pressure can affect the buoyancy of the unit which may cause the unit to sink if accidentally released.
- DO NOT release or leave the Seascooter in the water. Always take the unit out of water when not in use.
 - Never remove grilles except for maintenance.
 - Never open the Nose Core of the Seascooter in the water.
 - When not in use, always turn the Master Switch/Safety Switch to the off position.
 - Do not use the unit if it is damaged in any way.
 - The Seascooter shall not be used in reverse direction.
 - Keep the manual since it contains important information.

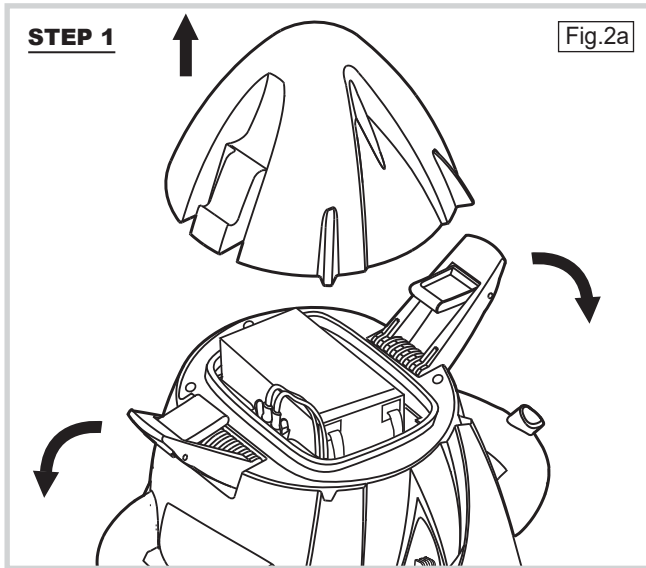
FIT RUBBER SEAL BEFORE FIRST USE THE SKIPPER AND NAVIGATOR!

⚠️ CRUSHING HAZARD:

The following action during assembly, disassembly, and transportation of the Seascooter may incur crushing hazards to your fingers or toes:

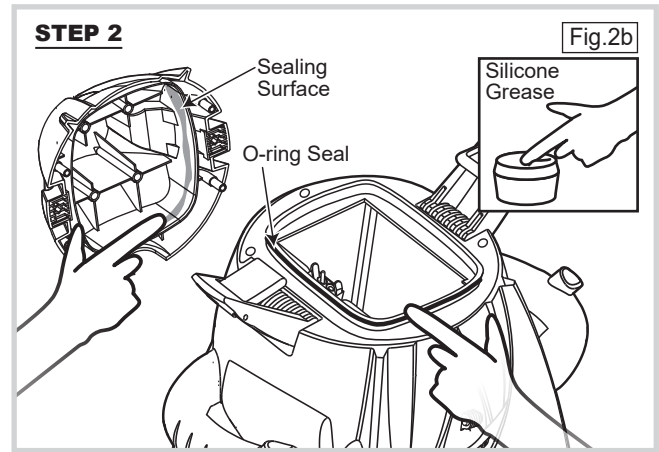
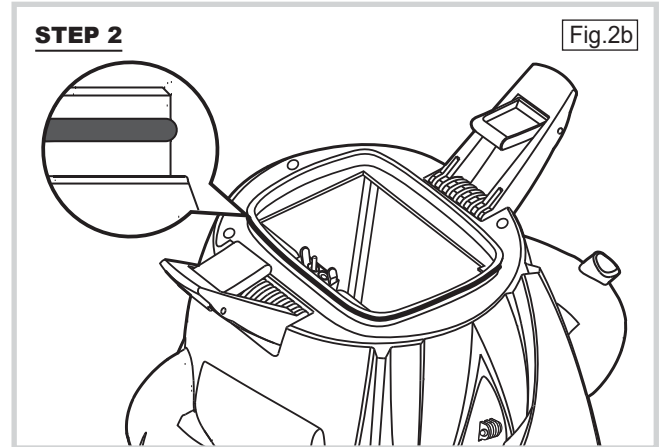
- Closing the nose cone latches
- Putting on the nose cone housing
- Placing the battery into the Seascooter
- Accidental dropping of the Seascooter or battery

SKIPPER



1. Unlock two latches and remove Nose Cone.

9



2. Rubber seal must be fitted as shown and fully lubricated with the supplied grease EVERYTIME before replacing the nose cone.

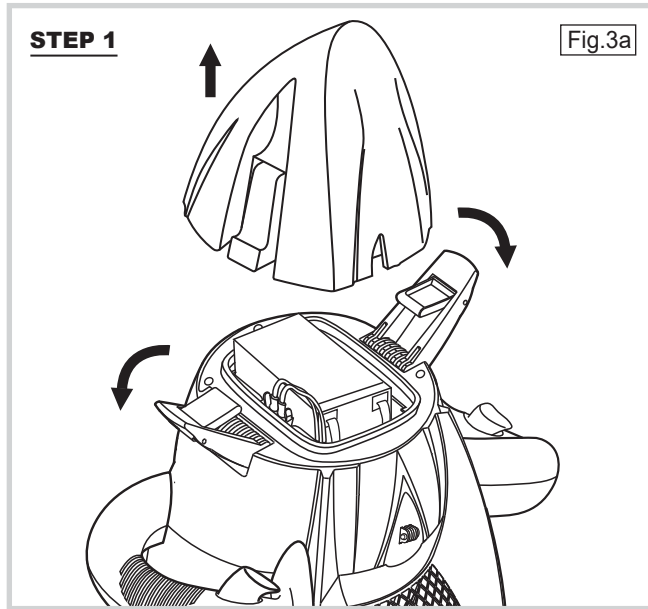
10

⚠ CRUSHING HAZARD:

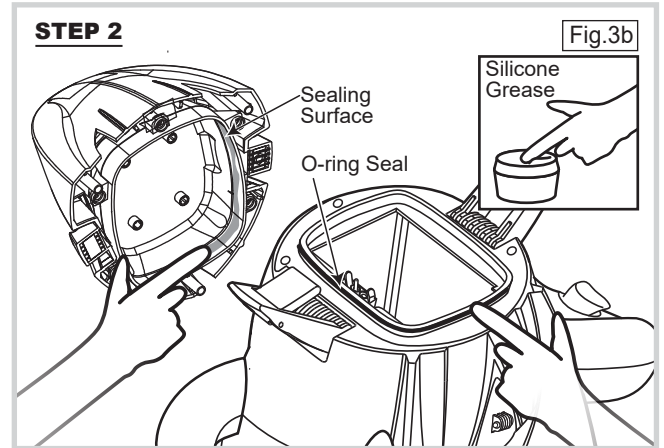
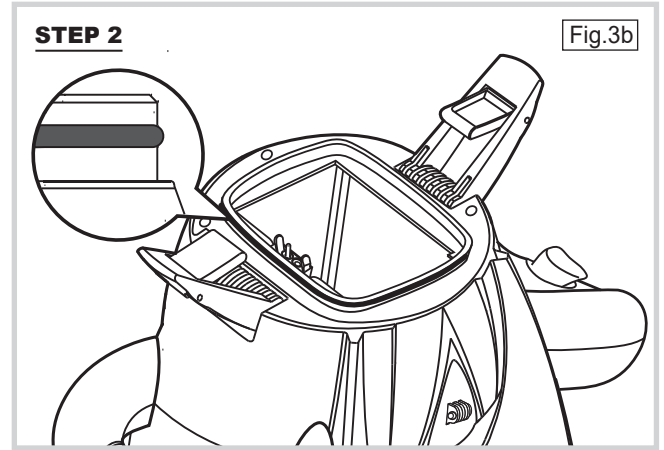
The following action during assembly, disassembly, and transportation of the Seascooter may incur crushing hazards to your fingers or toes:

- Closing the nose cone latches
- Putting on the nose cone housing
- Placing the battery into the Seascooter
- Accidental dropping of the Seascooter or battery

NAVIGATOR



1. Unlock two latches and remove Nose Cone.



2. Rubber seal must be fitted as shown and fully lubricated with the supplied grease EVERYTIME before replacing the nose cone.

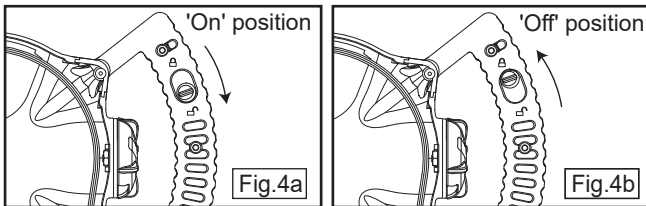
Getting Started

USING THE SEASCOOTER™ MARLIN

When you buy the SEASCOOTER™ MARLIN the battery is disconnected and needs to be charged.

Follow the safety cautions on page 15 to 18 and charging instructions on pages 19 to 21.

1. Charge the battery and install just before use.
2. Make sure your child is wearing an approved flotation device when using the MARLIN.
3. Place the MARLIN into the water. The MARLIN should float.
4. When ready to set off, switch the Master Switch to the 'On' position (see fig. 4a).
5. Pull and hold the trigger to start the propeller (There is a short delay before the Propeller begins to rotate).
6. To stop the propeller, simply release the trigger.
7. Always set Master Switch to the 'Off' position when out of the water (see fig. 4b).



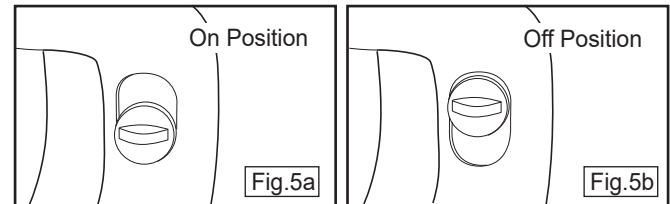
Important Notice: This machine is not used to mix or to work with sand, concrete and material with similar physical characteristics. This machine is only to use for swimming and diving in water.

Using the SEASCOOTER™ SKIPPER / NAVIGATOR

When you buy the SEASCOOTER™ SKIPPER / NAVIGATOR the battery is disconnected and needs to be charged.

Follow the safety cautions on pages 15 to 18 and charging instructions on pages 22 to 24.

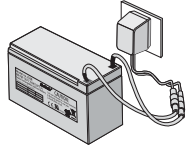
1. **FIT RUBBER SEAL BEFORE FIRST USE!** Follow the instructions on page 9 to page 12.
2. Charge the battery and install just before use.
3. Place the SEASCOOTER™ SKIPPER / NAVIGATOR into the water.
4. When ready to set off, switch the Safety Lock to the On position shown in fig. 5a.
5. Pull and hold both Triggers to start the Propeller. (There is a short delay before the Propeller begins to rotate).
6. To stop the Propeller, simply release one or both triggers.
7. Always set the Safety Lock to the Off position when out of the water - see fig. 5b.
8. ALWAYS remove the battery when not in use.



Important Notice: This machine is not used to mix or to work with sand, concrete and material with similar physical characteristics. This machine is only to use for swimming and diving in water.



WARNING BATTERY SAFETY



RE-CHARGE THE BATTERY
AT LEAST **EVERY
3 MONTHS**

- Must remove and store the battery separately from the unit when not in use!
 - Must re-charge the battery after use **WITHIN 24 HOURS**.
- Must re-charge the battery at least **EVERY THREE MONTHS** when not in use.

User Manual must be read and understood before use.

Please read and follow the **Battery Safety Instruction**.

Incorrect battery maintenance may reduce the battery life and influence its function.



CAUTION BATTERY SAFETY

- **Our lead-acid battery is designed specifically for each Seascooter. For your own safety, NEVER REPLACE THE ORIGINAL SEASCOOTER BATTERY WITH AN AFTERMARKET BATTERY.**
- Only Seascooter with original battery will be warranted by our service center.
- Always contact official dealer/service center to service the Seascooter. Any changes made by consumer/unauthorized parties will void the warranty of the Seascooter.
- Visit our website to purchase replacement battery for Seascooter.
- Visit our website to find an original equipment battery distributor in your region.

www.seascooter.net



CAUTION

- Your SEASCOOTER™ is supplied with a battery that needs to be treated carefully as it will release potentially explosive gases during its normal cycle of use (off-gassing). Failure to do so can result in an explosion occurring. Please read the entire manual thoroughly and follow all instructions.
- Always remove the battery from your SEASCOOTER™ when it is not in use and store separately in a well ventilated area where it is out of the reach of children and away from heat and ignition sources.
- Do not attach the battery in your SEASCOOTER™ until prior to using it.
- Before disconnecting/connecting any cables, open the nose cone and allow two minutes for any explosive gases to dissipate.
- Do not use/store/charge the battery in temperatures above 40°C (104°F) as excessive off-gassing may occur. Keep the battery and SEASCOOTER™ in the shade when not in use.
- Always ensure the unit is dried thoroughly before opening the Nose Cone.
- Only use the charger supplied with the SEASCOOTER™.
- Charge the battery as soon as possible after use within 24 hours.



CAUTION

- Always charge the battery to the maximum before using the SEASCOOTER™.
- The battery supplied with your SEASCOOTER™ releases a potentially explosive gas during charging. Charging should only take place in a well ventilated area, away from children and open flames or other ignition sources (cigarettes, sparks). Never charge the battery while still in the SEASCOOTER™.
- Always remove the battery from the battery housing before charging.
- Always connect charger jack to the battery first and then plug charger into the electrical socket/plug.
- After charging, disconnect from the electrical socket/plug first and then disconnect the battery from the charger.
- After charging is complete the battery will continue to emit gas. Wait at least 30 minutes after charging before removing the battery from the charger or placing the battery into the battery housing. Failure to do so could result in an explosion.
- Remove battery from charger once fully charged.
- Never charge the battery in sealed container.
- Never charge the battery near water.
- Never short circuit the battery or battery connectors.
- Always ensure the charger is dry before use.
- The charger gets quite warm in use - this is normal.
- If in doubt of the state of the battery, recharge it until the indicator on the battery charger indicates a full charge.



CAUTION

- If the battery is not to be used for an extended period, store it in a well ventilated area away from children, heat and ignition sources. Recharge it every three months to maintain charge and avoid excess off gassing. DO NOT store the battery inside the SEASCOOTER™.
- If the battery appears damaged or will not fully charge, the battery must be replaced. If battery life is noticeably reduced, the battery should be replaced.
- Do not recharge non-rechargeable battery. This charger only charges the Sealed rechargeable lead-acid battery, one battery per each charge.
- This appliance is not intended for use by persons (including children) with reduced physical, sensory or mental capabilities, or lack of experience and knowledge, unless they have been given supervision or instruction concerning use of the appliance by a person responsible for their safety. Children should be supervised to ensure that they do not play with the appliance.
- During charging, batteries must be placed in a well ventilated area.
- The battery supplied with your SEASCOOTER™ should last about 200 cycles or two years before it should be replaced. Please contact your local customer service center/distributors. Using a battery in excess of these recommendations can result in excessive off-gassing of explosive gases.
- Always keep the battery terminals clean.
- To prevent short-circuiting or fire, keep the battery away from other metal objects when carrying or storing.
- To prevent short-circuiting or fire, always ensure the charging area is safety during charging.

Charging the Battery for MARLIN



WARNING

- The instructions concerning persons (including children) with reduced physical, sensory or mental capabilities, or lack of experience and knowledge and children playing with the appliance are not applicable.
- The connector must be removed before the appliance is cleaned and that the appliance inlet must be dried before the appliance is used again.
- Detachable power supply part shall be provided with the part of class III construction of the appliance.
- The transformers or battery chargers used with the product are to be regularly examined for damage to the cord, plug, enclosure and other parts, and in the event of such damage, they must not to be used until the damage has been repaired.

Replace the battery immediately if it is damaged.

For battery charging follow these instructions.

1. Always ensure that the Master Switch is in the 'Off' position (see fig. 4b).
2. Always ensure that the MARLIN is out of the water, dry and placed in a dry area.
3. Unclip the latches and remove the Nose Cone (see fig. 6).

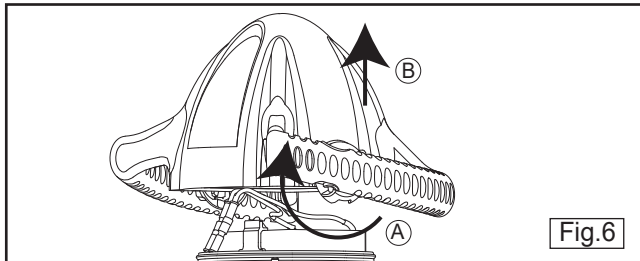


Fig.6

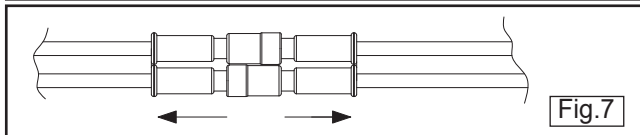


Fig.7

19

4. Allow two minutes for any gasses to dissipate.
5. Disconnect the battery cable from the housing cable.
(if not already disconnected - the cable will be disconnected when you buy your MARLIN) (see fig. 7).
6. Remove the battery from the MARLIN and place on a level surface.
7. Connect the battery cable to the charger cable.
8. Plug charger into electrical socket / plug, and turn on the supply.
9. Charging will take 5-6 hours for a fully discharged battery. When the battery is charging the red LED is on, when the battery is charged the green LED turns on.
10. Unplug the charger from the mains.
11. Allow battery to stand for 30 minutes before using it.
12. Unplug the battery cable from the charger cable.
13. When ready for use, install battery and reconnect to the housing cable.
14. Make sure the Nose Cone seal and sealing surfaces (see fig. 8) are clean and fully lubricated with silicone grease EVERYTIME (you can buy this at your local hardware store) before replacing the Nose Cone.

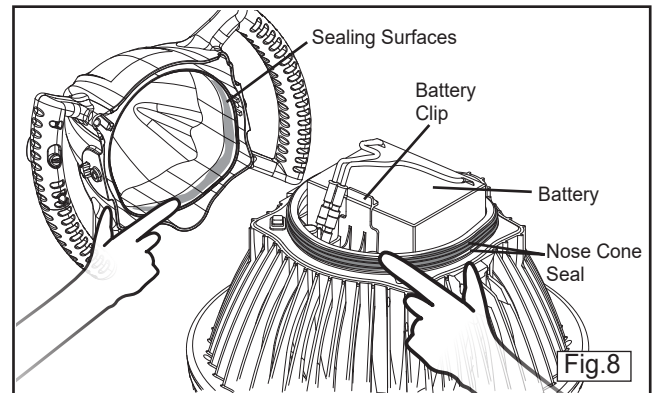
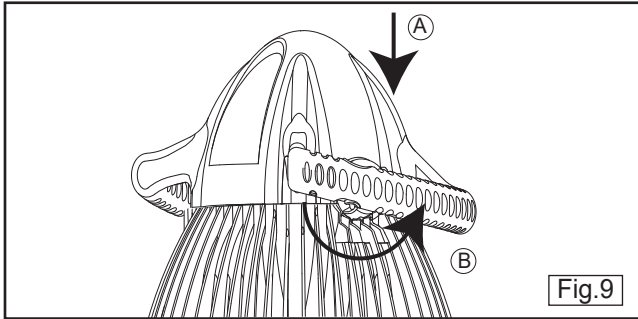


Fig.8

20

15. Replace the Nose Cone and turn and lock the latches - you will hear a click when they are locked (see fig. 9).



The MARLIN is now ready to be used.

Replacing a flat battery with a fully charged battery.

1. Follow the steps 1 to 5 above
2. Remove the flat battery.
3. Install the charged battery.
4. Follow steps 13 and 15.

Buying Rechargeable Batteries

It is a good idea to have a second battery so that when one has run out you can swap it over with a charged one. Contact your local customer service center/distributor to purchase additional rechargeable batteries.



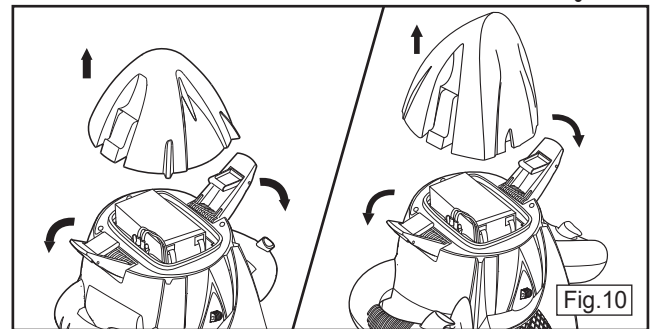
WARNING

- The instructions concerning persons (including children) with reduced physical, sensory or mental capabilities, or lack of experience and knowledge and children playing with the appliance are not applicable.
- The connector must be removed before the appliance is cleaned and that the appliance inlet must be dried before the appliance is used again.
- Detachable power supply part shall be provided with the part of class III construction of the appliance.
- The transformers or battery chargers used with the product are to be regularly examined for damage to the cord, plug, enclosure and other parts, and in the event of such damage, they must not be used until the damage has been repaired.

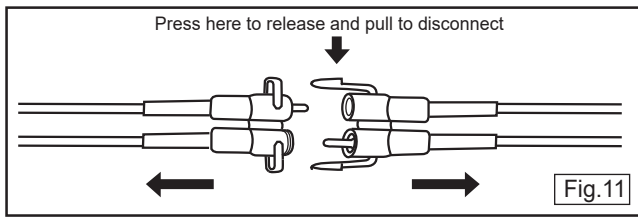
Replace the battery immediately if it is damaged.

For battery charging follow these instructions.

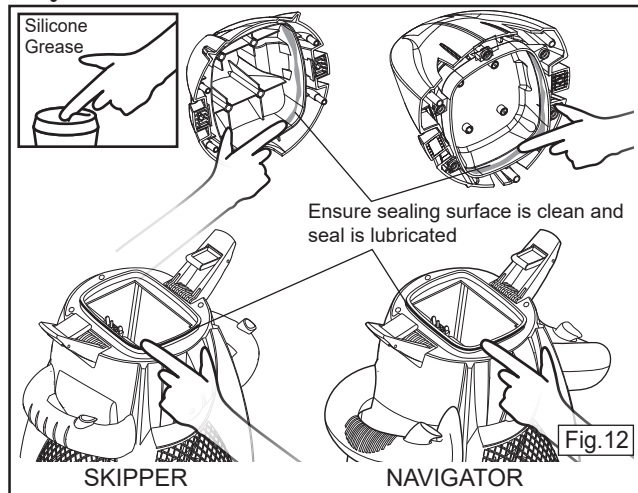
1. Always ensure that the Safety Lock in the Off position is Off - see fig. 5b.
2. Always ensure that the SEASCOOTER™ SKIPPER / NAVIGATOR is out of the water, dry and placed in a dry area.
3. Pull the latches down and remove the Nose Cone as shown in fig. 10.



4. Allow two minutes for any gasses to dissipate.



5. Disconnect the battery cable from the housing cable (if not already disconnected - the cable will be disconnected when you buy your SEASCOOTER™) by pressing the locking feature, as shown in fig. 11.
6. Remove battery and place on a level surface.
7. Connect the battery cable to the charger cable.
8. Plug charger into mains, and turn on the supply.
9. Charging will take 7-8 hours for a fully discharged battery. When the battery is charging the red LED is lit, when the battery is charged the green LED is lit.

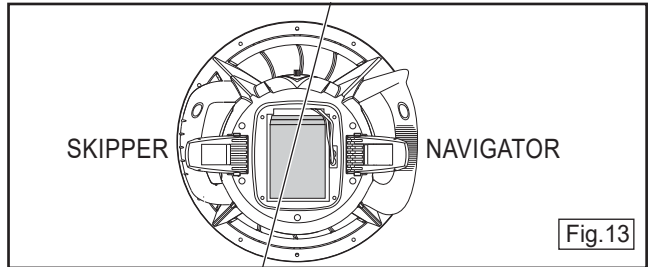


10. Disconnect the Charger from the mains.
11. Unplug the battery cable from the charger cable.
12. Allow battery to stand for 30 minutes before using it.
13. When ready for use, place the battery into the housing and connect the housing cable.
14. Make sure the seal and sealing surfaces are clean and fully lubricated with the supplied grease EVERYTIME (you can also buy this at your local hardware store) before replacing the Nose Cone. See fig. 12.
15. Replace the Nose Cone and close the latches.

To replace a flat battery with a fully charged battery.

1. Follow the steps 1 to 3 on page 22, to open the SEASCOOTER™.
2. Allow two minutes for gases to dissipate.
3. Unplug the battery at the socket by pressing the locking feature shown in fig. 11.
4. Remove the flat battery.
5. When ready for use, install and connect battery in the correct position, see fig. 13.

DO NOT STORE BATTERY IN SEASCOOTER.



6. Follow steps 14 to 15 on page 22, to close the SEASCOOTER™.

Buying batteries

Additional batteries can be purchased separately. Contact your local customer service center/distributor to purchase them.

Care & Maintenance

Care after using the SEASCOOTER™

DO NOT leave the Seascooter in the water. Always take the unit out of water when not in use.

ALWAYS remove the battery from the SEASCOOTER™ immediately after use.

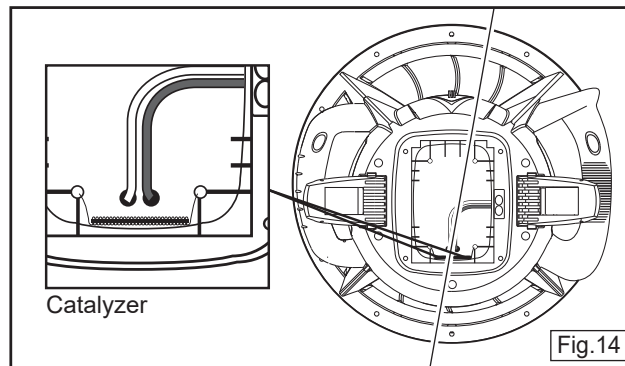
DO NOT STORE BATTERY IN SEASCOOTER.

- Always rinse the SEASCOOTER™ in fresh water and allow it to dry before storage immediately after use.
- To clean the SEASCOOTER™ do not use detergents, only use a damp cloth to wipe the unit clean.
- The Battery Housing interior should be kept dry at all times.
- If the Battery Housing interior ever gets wet, see page 30 and 34, Accidental Flooding for steps to take.
- When storing the SEASCOOTER™ for extended periods of time, open and remove the Nose Cone.
- ALWAYS store your SEASCOOTER™ vertically when not in use to prevent deformation of the Propeller Nozzle.

Battery and Catalyzer Care (for SKIPPER AND NAVIGATOR)

Please read and understand important Battery Use safety information on page 15 to 18.

- The battery supplied with your SEASCOOTER™ should last about 200 cycles or two years before it should be replaced. Please contact your local customer service center/distributor. Using a battery in excess of these recommendations can result in excessive off-gassing of explosive gases.
- If the catalyzer is wet for Seascooter™ SKIPPER AND NAVIGATOR, it will not function and must be allowed to dry out before use.



Trouble Shooting for MARLIN

Unit does not function

If the Seascooter MARLIN will not start:

1. Make sure the Rechargeable battery is fully charged (see Charging the Rechargeable Battery).
2. Make sure the Rechargeable Battery and housing cable are connected well.
3. Make sure the Master Switch is in the 'On' position (see fig. 4a).
4. Make sure the Battery Compartment is dry, - if not follow instructions on page 30 for 'Accidental Flooding'.
5. Make sure the propeller is not blocked, - if it is follow steps on page 27, 'Removing Blockage from Propeller'.

Blocked Propeller

If the Propeller becomes blocked the Rear Grille and Propeller can be removed, to remove the obstacle.

Removing Blockage From Propeller to remove obstruction



WARNING

Crushing / Cutting Hazard

Before opening the grille for maintenance purpose, make sure the master switch is in off position, and the battery is disconnected.

If the propeller is blocked:

1. Remove the MARLIN from water and dry completely.
2. Make sure the Master Switch is in the 'Off' position (see fig. 4b).

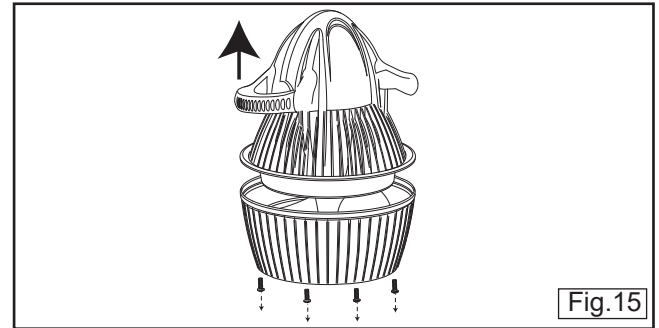


Fig. 15

3. Remove battery - see page 19, steps 1 to 5.
4. Unscrew rear grille screw and remove Nozzle (see fig. 15).
5. Straighten and then remove the split pin (see fig. 16).
6. Remove the propeller and then any blockage.

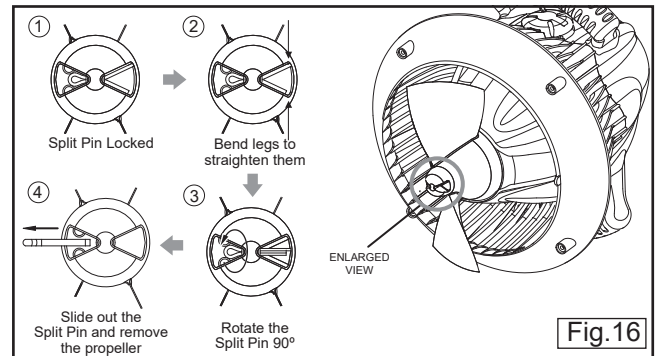
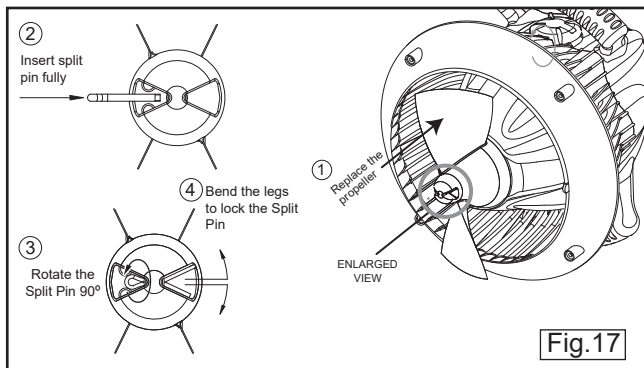


Fig. 16

7. Replace propeller, insert split pin and bend the legs (see fig.17).



8. Replace the Nozzle.

Sand or Grit on Seal

Ensure that sand/grit does not get on the seals as correct maintenance and care is essential. To remove sand or grit from the seals, rinse the seals in fresh water and apply fresh lubricant. If there is sand inside the Battery Housing, gently brush the sand from the unit taking care not to scratch the sealing surfaces.

Accidental Flooding

Always ensure the Nose Cone Seal and sealing surfaces (see fig.8) are clean, lubricated with silicone grease and undamaged and the Nose Cone Latches are fully closed. However, should the seal not to be cleaned properly or the latches are not fully closed and water enters the battery compartment, your MARLIN will not be permanently damaged since it is designed for protection against flooding.

If the Battery Compartment floods:

- 1.Remove the Seascooter MARLIN from the water immediately and set the master switch to locked position (see fig. 4b).
- 2.Unclip the latches and remove the Nose Cone and tip out excess water (see fig. 6).
- 3.Wait two minutes for any gases to dissipate.
- 4.Unplug the rechargeable battery and remove from the MARLIN and dry completely.
- 5.If salt water has entered, rinse battery and battery housing with fresh water.
- 6.Dry housing and battery thoroughly.
- 7.Check rechargeable battery for damage, if it shows any sign of damage contact customer service for a replacement.
- 8.Reinstall the rechargeable battery and reconnect to the housing cable.
- 9.Make sure the Nose Cone Seal (see fig. 8) is clean and lubricated with silicone grease and undamaged.
- 10.Replace the Nose Cone and turn and lock the latches - you will hear a click when they are locked (see fig. 9).

Trouble Shooting for SKIPPER / NAVIGATOR

Unit does not function

If the motor does not start when both triggers are pressed for Seascooter SKIPPER or NAVIGATOR, make sure:

1. The battery is properly connected.
2. The battery is fully charged.
(see page 22, charging the battery).
3. The Safety Lock is in the "On" position.
(see fig 5a, page 14).
4. There is no water in the battery compartment.
(see page 34, accidental flooding).

Blocked Propeller

If the Propeller becomes blocked the Rear Grille and Propeller can be removed, to remove the obstacle.

Removing rear grille and Propeller to remove obstruction



WARNING

Crushing / Cutting Hazard

Before opening the grille for maintenance purpose, make sure the master switch is in off position, and the battery is disconnected.

1. Remove the SEASCOOTER™ from the water.
2. Make sure the Safety Lock is in the "Off" position.
3. Disconnect and remove the battery - see page 22, step1-6.
4. Unscrew the eight Rear Grille screws as shown in fig. 18.

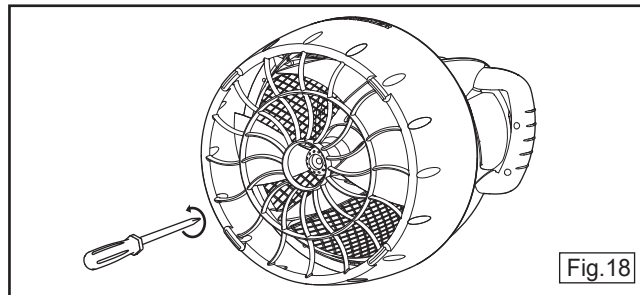


Fig.18

5. While holding the Propeller, use an M6 socket to remove the nut from the Propeller shaft (See fig. 19).

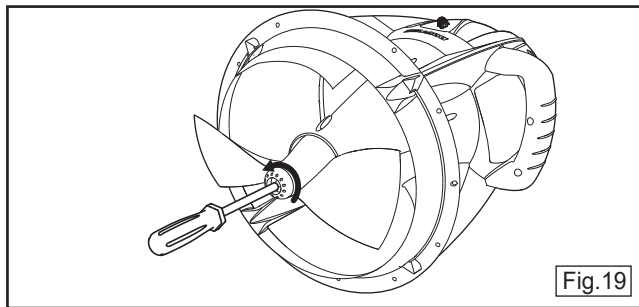
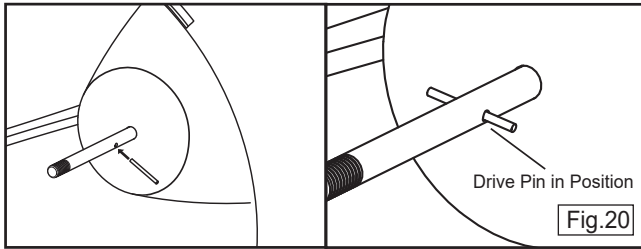
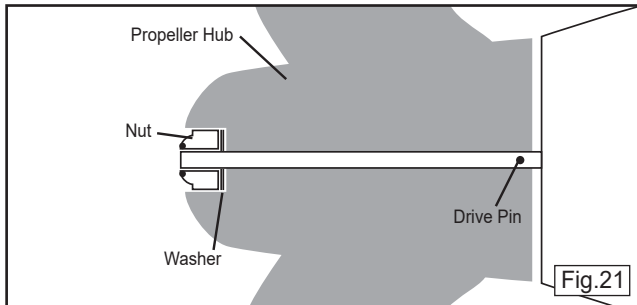


Fig.19

6. Slide the Propeller off the shaft, taking care not to loose the drive pin or washers.
7. Remove the blockage from the Propeller.
8. Replace the drive pin (if removed), see fig. 20, and Propeller. Turn the Propeller slowly until you locate the pin and push the Propeller fully on.



9. Replace the washer and nut and tighten with the socket while holding the Propeller making sure it is securely fastened (See fig. 21).
10. Replace the Rear Grille.
11. Replace the battery and connect / replace the Nose Cone.



Sand or Grit on Seal

Ensure that sand/grit does not get on the seals as correct maintenance and care is essential. To remove sand or grit from the seals, rinse the seals in fresh water and apply fresh lubricant. If there is sand inside the Battery Housing, gently brush the sand from the unit taking care not to scratch the sealing surfaces.

Accidental Flooding

It is important that the seal is kept sand and grit free to ensure it keeps water out and to close the latches fully after accessing the battery chamber. However, should the seal not be clean or the latches not fully closed and water enter the battery chamber, your SEASCOOTER will not be damaged as it is designed for protection against accidental flooding.

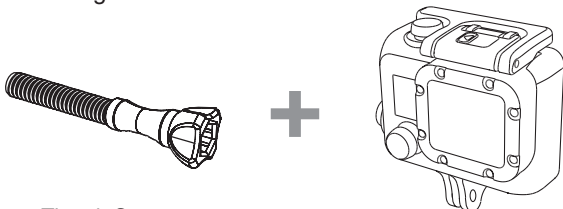
If water enters the battery chamber:

1. Remove the unit from the water, open the nose cone and tip any excess water out.
2. Wait two minutes for any gases to dissipate, then remove the battery.
3. If salt water has entered, rinse battery housing and battery with fresh water.
4. Dry housing and battery thoroughly.
5. A safety catalyzer, to protect against explosive gas in normal use is held in a spring in the bottom of the battery housing. If the catalyzer is wet, it will not function and must be allowed to dry out before use.

CAMERA ASSEMBLY

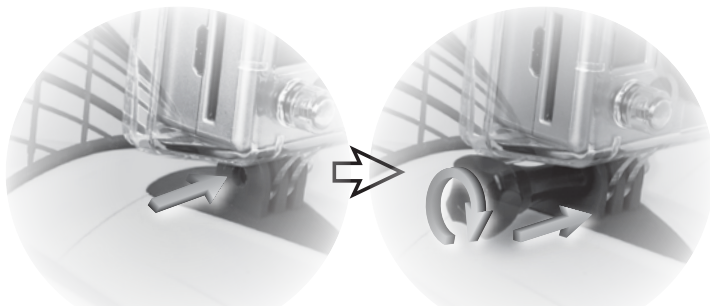
ATTACHING YOUR CAMERA TO SEASCOOTER MOUNTS (Can be used with GoPro® HERO [3, 3+, 4, 5, 6 or 7] cameras, or other camera with using the same mount system)

To attach your camera to Seascooter SKIPPER and NAVIGATOR, you will need a thumb screw or hardware depending on the mount you are using.



Thumb Screw

Waterhousing



Simply attach the
Camera to the mount
and align the hole

Insert and Tighten Up
the Thumb Screw

*Camera and Screw are not included

Technical Specifications

-MARLIN-

Unit Dimensions	10.5 inches x 10.5 inches x 13.3 inches (265.5 x 265.5 x 338 mm)
Unit Weight	7.7 lb (3.5 kg) (with rechargeable battery) 4 lb (1.8 kg) (without rechargeable battery)
Battery Type	1 x 12V / 4.5 Ah rechargeable battery
Battery Life / Fully Charge	*Runs up to 60 minutes with normal use ^Continuous use up to 35 minutes
Depth rating	3 m / 10 ft
Speed	Up to 1.0 mph (1.6 km/h)

-SKIPPER-

Unit Dimensions	11.25 inches x 11.25 inches x 19 inches (285 x 283 x 483 mm)
Unit Weight	11 lb (5 kg) (with rechargeable battery) 5.9 lb (2.7 kg) (without rechargeable battery)
Battery Type	1 x 12V / 7.5 Ah rechargeable battery
Battery Life / Fully Charge	*Runs up to 90 minutes with normal use ^Continuous use up to 30 minutes
Depth rating	5 m / 15 ft
Speed	Up to 2.0 mph (3.2 km/h)

-NAVIGATOR-

Unit Dimensions	11.77 inches x 11.10 inches x 20.5 inches (299 x 282 x 520 mm)
Unit Weight	11.4 lb (5.2 kg) (with rechargeable battery) 6.4 lb (2.9 kg) (without rechargeable battery)
Battery Type	1 x 12V / 7.5 Ah rechargeable battery
Battery Life / Fully Charge	*Runs up to 60 minutes with normal use ^Continuous use up to 30 minutes
Depth rating	10 m / 30 ft
Speed	Up to 2.5 mph (4.0 km/h)

*Normal Use

The definition of normal use is based on the average general time of use the user activates the Seascooter in the water.

^Continuous Use

The definition of continuous use is based on a fully charged battery whereby the Seascooter is used continuously in the water without stopping.

For more information on
Seascooter™ Products
(Warranty, Customer Care / Maintenance,
Parts & Battery Purchase)

PLEASE VISIT
www.Nauticaseascooters.com

All corresponding specification appear in this manual are correct at the time of printing.
For the latest updates and further information on the complete range of the Seascooter™,
PLEASE VISIT www.Nauticaseascooters.com

This Product is not manufactured by Nautica. For consumer purposes,
please contact Sport Dimension Inc. at 1-800-678-7873.

(US & CANADA MARKET ONLY)

Please visit our website at www.Nauticaseascooters.com to find out your local distributor.

Products covered by the following patents:

USA, Canada, EU, Australia, Japan, Hong Kong, China & Turkey
US D471,506S / US D518,768S / D527,702S / US D506,176S / US D507,776S
D512,678S / D519,911S / 6848385 B2 / US 7000559 B2 / US 7093554 B1 / 11/102,302
0500577.8 / 0500578.0 / 0500579.2 / HK1072691 / ZL200530005661.5
ZL200430079550.4 / ZL200430057359.X / ZL200530005662.X / ZL200530005663.4
ZL200320103738.8 / ZL200520008894.5 / 1194933 / 1254107 / 1225250
000330311-0001 / 000183900-0001 / 000183900-0002 / 000330279-0001
000330295-0001 / 03020902.7 / 302949 / 302564 / 302563 / 302950
302948 / 2005100230 / 200503474 / 29/268,724 / 11/595,675 / 000816376-0001

US & CANADA MARKET ONLY

Toll Free (US) : 1-800-678-7873
info@nauticaseascooters.com
www.Nauticaseascooters.com

Nautica™ and ™ are trademarks of Nautica Apparel, Inc.
©Nautica Apparel, Inc. nautica.com

In addition, this warranty does not cover items that experience normal wear and tear.

ALL IMPLIED WARRANTIES ARE LIMITED IN THE DURATION TO THE WARRANTY PERIOD. AND SUCH IMPLIED WARRANTIES INCLUDING MERCHANTABILITY, FITNESS FOR A PARTICULAR PURPOSE, OR OTHERWISE, ARE DISCLAIMED IN THEIR ENTIRETY AFTER THE EXPIRATION OF THE APPROPRIATE WARRANTY PERIOD. THE DISTRIBUTOR'S OBLIGATION UNDER THE WARRANTY IS STRICTLY AND EXCLUSIVELY LIMITED TO THE REPAIR OR REPLACEMENT OF DEFECTIVE PARTS AND RETURN OF THE PRODUCT TO THE CUSTOMER. THE DISTRIBUTOR DOES NOT ASSUME OR AUTHORIZE ANYONE TO ASSUME FOR THEM ANY OTHER OBLIGATION.

THE DISTRIBUTOR ASSUMES NO RESPONSIBILITY FOR INCIDENTAL, CONSEQUENTIAL OR OTHER DAMAGES INCLUDING, BUT NOT LIMITED TO EXPENSE OF RETURNING THE PRODUCT TO THE DISTRIBUTOR, LOSS OF USE OF PRODUCT AND LOSS OF TIME OR INCONVENIENCE.

THIS PRODUCT IS DESIGNED AND INTENDED FOR PERSONAL RECREATIONAL USE ONLY!

THIS PRODUCT IS NOT WARRANTED FOR COMMERCIAL OR RENTAL USE!

REPAIR WORK OR DELIVERY OF A REPLACEMENT DOES NOT EXTEND OR RENEW THE WARRANTY PERIOD.

WARRANTY SHALL AUTOMATICALLY BE VOID IF DAMAGE IS RESULT OF NON-ORIGINAL PARTS.

LIMITED WARRANTY for Seascoters with camera mount:

- ALWAYS inspect to ensure the product works properly every time before use. Warranty of this product does not cover any damages due to misuse.
- Failure to follow the user(s) instructions on packaging and/or user(s) manual may result in damages or loss of your cameras including but not limited to any user's personal items, all of which are not covered under warranty of this product.
- Use at your own risk. Manufacturer(s) and/or suppliers/agents are not responsible for any damages/repairs, loss to cameras/electronic items including but not limited to any user's personal items directly and/or indirectly resulted in the use of this product. Damage(s) resulting from any use, misuse, accident, and normal wear and tear are understandably not covered under this product warranty nor be responsible by manufacturer(s) and/or suppliers/agents.

EXCLUSIONS

BATTERY. This warranty does not include the battery.

Never replace the original SEASCOOTER BATTERY with an AFTERMARKET BATTERY. Seascooter with aftermarket battery will not be covered by this warranty.

CUSTOMER ENQUIRIES

If your unit is not operating, please refer to your User Manual before contacting our Customer Service Center. For any damage or repair work required, please do not return your product to the store where it was purchased.

RETURN / REPAIR POLICY

Customers must contact their Local Distributor Service Center to ask for an official Claim Form. The Claim Form must be returned with the customer's contact details and a photo of the Seascooter, defective parts, the serial number and the Original Purchase Receipt. The Distributor Customer Service Center will review the case and issue a Return / Repair Authorization Number before sending the product to the Distributor Service Center. Returned products must be shipped with original packaging including the polystyrene packing material and all defective parts. Please contact your Local Distributor Service Center for assistance in handling your case.

Please visit our website www.Nauticaseascooters.com for a listing of most update distributor contacts and service center contacts.

RETURN / REPAIR PROCEDURE

1. Call the Customer Service Center for your Return / Repair Authorization Number.
2. Make a copy of your Proof of Purchase (receipt).
3. Pack the defective unit in its original packaging including the polystyrene foam and include the unit and all defective parts.
4. Attach the copy of your Proof of Purchase (receipt) to the outside of the box (clearly visible), together with the Return / Repair Authorization Number.
5. Ship the package to the Service Center on your cost.

PLEASE NOTE: Deliveries that do not have the Proof of Purchase (receipt) and Return / Repair Authorization Number attached clearly to the outside of the box, will not be accepted by the Service Center.

For any questions or queries you may have regarding your SEASCOOTER™, please follow the below steps for easy and fast resolution:

- STEP 1-

Please read your User Manual. For a copy of the User Manuals, please visit www.Nauticaseascooters.com

- STEP 2-

Go to www.Nauticaseascooters.com and see our FAQ section to find instant answers.

- STEP 3-

Contact one of our Customer Service representatives at the Customer Service Center in your region.