

CONSUMER WARRANTY & SERVICE INFORMATION

*Distributors ONLY warrant products with an active
Warranty Registration*

ALWAYS ACTIVATE YOUR WARRANTY IMMEDIATELY ON
<https://nauticaseascooters.com/pages/warranty>

Distributors in the United States and Canada provide a Standard Limited Warranty for 6 months from the date of purchase for new products. If you're not located in the United States or Canada, please contact your Local Distributor for warranty arrangements in your territory. Please visit www.seascooter.net for Distributor / Service Center details. Distributors ONLY warrant NAUTICA Seascooter products purchased from an authorized dealer and with an original purchase receipt. All warranties are limited to a single original owner on the purchase of new and current product from an authorized reseller. Closeouts, Discontinued and Secondary sales of any kind including "like new" or out of box are not eligible for warranty consideration.

This warranty gives the consumer specific legal rights, and those rights may vary from place to place. Ask your Local Distributor for the warranty period in your region by calling their Service Center. Any part of the product supplied by the Distributor and found in the reasonable judgment of the Distributor to be defective in material or workmanship will be repaired or replaced then returned by the Distributor without charging for parts and repair costs. The product including any defective part must be sent to the Distributor within the warranty period. The customer will pay for the expense of delivering the product to the Distributor.

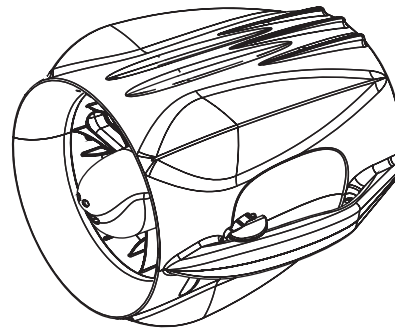
This warranty does not cover any product that has been subject to misuse negligence or accident, or that has been operated in any way contrary to the operating instructions as specified in the User Manual. Any flood, loss or damage, for any reason, that is caused by accidental release and sinking of the unit, or from flooding an o-ring sealed or water tight area will not be covered under warranty. This warranty does not apply to theft, loss, abuse or tampering, lack of maintenance, improper storage, exposure to excessive temperature, extended sunlight, material interactions, deteriorating chemicals or fumes, any damage to the product that is the result of improper maintenance or parts replacement performed by someone other than the official Distributor Service Center or to any product that has been altered or modified so as to change its intended use. This warranty does not extend to repairs made necessary by normal wear or by the use of parts or accessories which are either incompatible with the product or adversely affects its operation, performance or durability.

← SEE NEXT PAGE

LICENSED PRODUCT

NAUTICA

GUPPY



User Manual
English Version



WARNING:

Only adult can use the battery charger to charge the battery.

(For USA Regulation Only)

This device complies with Part 15 of the FCC Rules. Operation is subject to the following two conditions:

- (1) This device may not cause harmful interference, and
- (2) This device must accept any interference received, including interference that may cause undesired operation.

Warning: Changes or modifications to this unit not expressly approved by the party responsible for compliance could void the user's authority to operate the equipment.

NOTE: This equipment has been tested and found to comply with the limits for a Class B digital device, pursuant to Part 15 of the FCC Rules. These limits are designed to provide reasonable protection against harmful interference in a residential installation. This equipment generates, uses and can radiate radio frequency energy, if not installed and used in accordance with the instructions, may cause harmful interference to radio communications.

However, there is no guarantee that interference will not occur in a particular installation. If this equipment does cause harmful interference to radio or television reception, which can be determined by turning the equipment off and on, the user is encouraged to try to correct the interference by one or more of the following measures:

- Reorient or relocate the receiving antenna.
- Increase the separation between the equipment and receiver.
- Connect the equipment into an outlet on a circuit different from that to which the receiver is connected.
- Consult the dealer or an experienced radio/TV technician for help.

Introduction	1
Warnings	2
Parts Diagram	5
Charging the Battery	6
Getting Started	7
Battery Use	8
Care & Maintenance	11
Technical Specifications	12



Discarded electrical appliances are recyclable and should not be discarded in the domestic waste! Please actively support us in conserving resources and protecting the environment by returning this appliance to the collection centers (if available).



User manual is also available in PDF format, contact your local distributor to a copy if needed.

Introduction

The NEW NAUTICA GUPPY is designed for family water fun; giving kids a totally new experience - power performance for fun and excitement in the pool.

The Seascooter™ GUPPY adds a new dimension of fun and excitement to swimming and snorkeling.

Only use The SEASCOOTER™ GUPPY in a pool or in calm water and close to shore – DO NOT use in the open sea.

Use appropriate equipment such as wetsuit, approved life jacket, mask & snorkel etc. when using Seascooter.

Only operate the Seascooter in water.

- Speed up to 1.2 mph / 1.9 km/h
- Runs up to 30 minutes with normal use
- Fully waterproof construction
- Weighs only 3.5 lb (1.6 kg)

GUPPY is compact, lightweight and highly maneuverable offering a whole new experience in the water.

Please study this manual to get the most out of your Seascooter™ GUPPY.



WARNING:

This is not a lifesaving device. Do not leave child unattended while device is in use.

Only to be used in water in which the child is within its depth and under adult supervision.

1



WARNING



- A child under 5 years old should never operate this product.
- The Seascooter is designed for 1 person use.



- This is not a life saving device. DO NOT use it as a buoyancy aid.



- Read the User Manual carefully before using the product.



- Always ensure sufficient charge remains in the battery to return to the shore surface before using the Seascooter.



- Do not use alcohol or mind-altering drugs prior to and during use of this product.



- ALWAYS inspect the swimming area to ensure it is free of hazards or obstacles such as boats or swimmers before using the Seascooter.

2



- Be aware of appropriate water levels, tidal changes, dangerous currents, weather change and strong offshore winds. **ALWAYS** scout unfamiliar water before venturing out.



- Crushing / Cutting Hazard



- Do not attach your body, clothing, other equipment to the seascooter in any way.



- **ALWAYS** wear a life vest (personal floatation device - PFD) approved by your local authorities for Snorkeling (U.S. Coast Guard Type III vest in the US or Canadian Coast Guard approved life vest in Canada or SAI Approval PFD in Australia or CE Approved PFD in Europe).



- Never place body parts, clothing or other objects in the vicinity of the propeller. Do not wear loose or flowing clothing or equipment that could be drawn into the propeller.



- Particular care should be exercised when using the Seascooter near anybody with long hair. Users with long hair should tie it up or wear a swimming cap when using the Seascooter.



- Be careful when you are transporting the Seascooter and setting it down to avoid crushing hazard on hands, foot or toes.



- Only to be used in water in which the child is within its depth and under supervision.



CAUTION:

- **An adult must be responsible for battery safety at all times, during use, storage and charging.**
- **THIS IS NOT A TOY! Use in a pool or in calm water and close to shore – DO NOT use in the open sea.**
- **ALWAYS** keep the SEASCOOTER™ out of direct sunlight when not in use. **HEAT KILLS BATTERIES AND IT MAY EXPLODE OR LEAK.**
- In different waters (seawater, lake, pool) and conditions such as currents, temperature and pressure can affect the buoyancy of the unit which may cause the unit to sink if accidentally released.
- **DO NOT** release or leave the Seascooter in the water. Always take the unit out of water when not in use.
- Always check your Seascooter works properly before use.
- Do not use the unit if it is damaged in any way.
- The Seascooter shall not be used in reverse direction.
- Keep the manual since it contains important information.

Parts Diagram

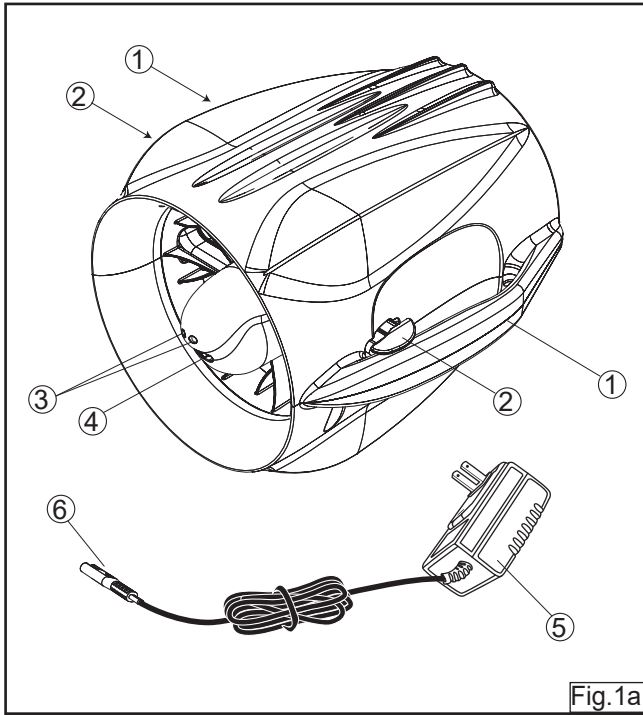


Fig.1a

- | | |
|--------------------|-----------------|
| 1. Handles | 4. Charge Port |
| 2. On/Off Triggers | 5. Charger |
| 3. LED Indicators | 6. Charger Jack |

5

Charging the Battery



WARNING:

- For the purposes of recharging the battery, only use the detachable supply unit provided with this product.
- The transformer or power supply is not a toy.
- The instructions concerning persons (including children) with reduced physical, sensory or mental capabilities, or lack of experience and knowledge and children playing with the appliance are not applicable.
- The connector must be removed before the appliance is cleaned and that the appliance inlet must be dried before the appliance is used again.
- Detachable power supply part shall be provided with the part of class III construction of the appliance.
- The transformers or battery chargers used with the product are to be regularly examined for damage to the cord, plug, enclosure and other parts, and in the event of such damage, they must not to be used until the damage has been repaired.

Follow the safety cautions on page 9 to 10.

1. Plug the charger lead into Seascooter charger port (See Fig. 2).
2. Connect to mains power supply (See Fig. 2).
3. The LED indicators will light up RED while charging and GREEN when the unit is charged.
4. Charge times are as follows: 180 minutes for 100% charge – always charge the battery fully for maximum duration.
5. The charger will get warm during charging – this is normal.
6. Disconnect the charger from the mains power supply, disconnect the charge lead from the charge port.
7. Please note the unit cannot be operated whilst charging and please take care whilst charging. Always charge under adult supervision.
8. When not in use unplug the charger and store the charger in a dry secure place.

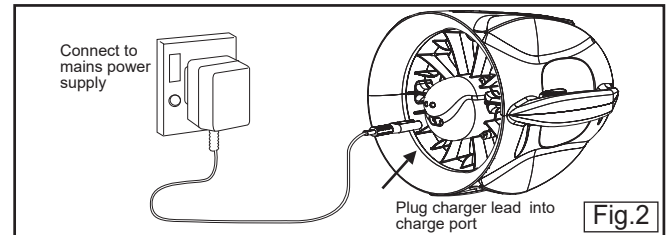


Fig.2

6

⚠️ CRUSHING HAZARD:

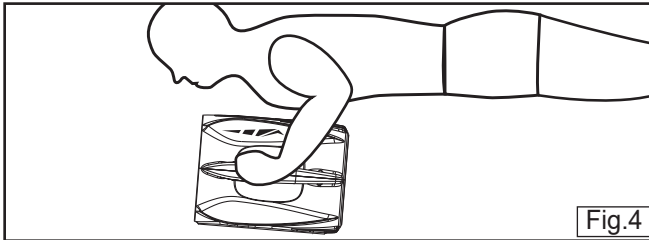
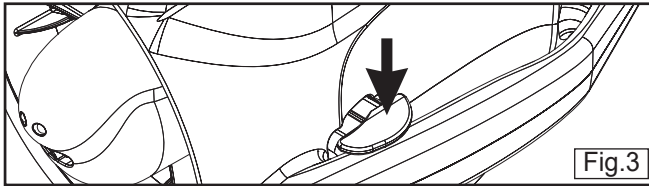
The following action during transportation of the Seascooter may incur crushing hazards to your fingers or toes:

-Accidental dropping of the Seascooter or battery.

USING THE SEASCOOTER™

1. Always charge the battery before use.
(Note: the battery may be supplied partially charged.)
2. Make sure your child is wearing an approved flotation device when using the Seascooter.
3. Place the Seascooter into the water. The Seascooter should float.
4. When ready to set off, press both the triggers down to start the Seascooter (See Fig. 3) - the LED indicator shows GREEN.
5. Hold the unit in front of you and submerge it under water.
6. To stop the propeller, simply release one or both triggers to stop the Seascooter.
7. Proper posture when using the SEASCOOTER™ is important to achieve the maximum speed - see figure 4 for the correct position of the SEASCOOTER™ when using it.
8. DO NOT leave the Seascooter in the water. Always take the unit out of water when not in use.

Important Notice: This machine is not used to mix or to work with sand, concrete and material with similar physical characteristics. This machine is only to use for swimming and diving in water.



⚠️ WARNING BATTERY SAFETY

RE-CHARGE THE BATTERY
AT LEAST **3** EVERY
MONTHS

- MUST re-charge the battery after **EACH USE**.
- MUST re-charge the battery at least **EVERY THREE MONTHS** when not in use.
 - Never leave Lithium-Ion batteries discharged for long - the batteries do self-discharge and the charge could drop low enough to damage the battery.
 - Keep Lithium-Ion batteries away from high heat - high temperatures may cause premature battery failure.
- ALWAYS store Lithium-Ion batteries partially discharged in a cool, dry place.

www.seascooter.net

Battery Use



CAUTION

- Use the specified charger only.
- Use the correct plug type for your region.
- Never allow the charger to get wet. For Indoor use only.
- Charge only in temperatures between 0-40°C.
- When not in use unplug the charger and store the charger in a dry secure place.
- Must be disposed of properly.
- Do not incinerate, disassemble, damage, short-circuit or expose to heat.
- The battery contains safety and protection devices which, if damaged, may cause the battery to generate heat, rupture or ignite.
- **DO NOT THROW WATER ON A BURNING Seascooter or Li-ion Battery.** If an exposed Battery does ignite, it will burn even more violently if it comes into contact with water or even the moisture in air. A fire extinguisher must be used.
- Do not expose the battery to water or salt water, or allow the battery to get wet.
- Do not subject the Seascooter to strong impacts or shocks.
- Do not pierce the Seascooter or Li-ion Battery with nails, strike the battery with a hammer, step on the battery, or otherwise damage the outer casing.
- **MUST** re-charge the battery after EACH USE.

Battery Use



CAUTION

- **MUST** re-charge the battery at least EVERY THREE MONTHS when not in use.
- Never leave Lithium-ion batteries discharged for long - the batteries do self-discharge and the charge could drop low enough to damage the battery.
- Keep Seascooter or Lithium-ion batteries away from high heat - high temperatures may cause premature battery failure.
- **ALWAYS** store Seascooter discharged in a cool, dry place.
- Always store the Seascooter partially discharged in a cool, dry and well-ventilated areas where it is out of reach of children and away from ignition sources.
- Do not place the Seascooter in fire, direct sunlight or other high temperature locations. Do not apply heat to the Seascooter. Doing so may cause the Seascooter to generate heat, rupture, or ignite. Using the Seascooter in this manner may also result in a loss of performance and a shortened life expectancy.
- Always keep the battery terminals clean.
- To prevent short-circuiting or fire, keep the battery away from other metal objects when carrying or storing.
- To prevent short-circuiting or fire, always ensure the charging area is safe during charging.

Care and Maintenance

- DO NOT leave the Seascooter in the water. Always take the unit out of water when not in use.
- Always rinse the Seascooter with fresh water and allow it to dry before storage.
- Whenever possible rinse the Seascooter with fresh water immediately after use.
- To clean the Seascooter do not use detergents; only use a damp cloth to wipe the unit clean.

Washing and Care

1. Rinse the Seascooter with clean fresh water after use.
2. Ensure the charge port is free from dirt and debris. Clean with mild soapy water if necessary and dry fully.
3. Charge the batteries at least once every three months when not in use.
4. Do not attempt to repair the Seascooter Do not open the unit. Return to authorised dealer for repair under warranty.
5. Do not dispose of the unit into household waste, fire or water. Li-ion batteries are contained in the unit and should be recycled once their lifespan is complete.
6. The Seascooter is to be regularly examined for damage to the cord, plug, enclosure and other parts, and in the event of such damage, the Seascooter must not to be used with the transformer or battery charger until that damage had been repaired.
7. The Seascooter is to be operated in water only when fully assembled in accordance with the instructions.
8. The Seascooter liable to be cleaned with liquids is to be disconnected from the transformer or power supply before cleaning.

Technical Specifications

-GUPPY-

Unit Dimensions	10.63 inches x 10.31 inches x 8 inches (270 x 262 x 203 mm)
Unit Weight	3.5 lb (1.6 kg)
Battery Type	1 x 7.3V / 2.6 Ah rechargeable battery
Battery Life / Fully Charge	*Runs up to 30 minutes with normal use ^Continuous use up to 20 minutes
Speed	Up to 1.2 mph (1.9 km/h)

*Normal Use

The definition of normal use is based on the average general time of use the user activates the Seascooter in the water.

^Continuous Use

The definition of continuous use is based on a fully charged battery whereby the Seascooter is used continuously in the water without stopping.

For more information on
Seascooter™ Products
(Warranty, Customer Care / Maintenance,
Parts & Battery Purchase)

PLEASE VISIT
www.Nauticaseascooters.com

All corresponding specification appear in this manual are correct at the time of printing.
For the latest updates and further information on the complete range of the Seascooter™,
PLEASE VISIT www.Nauticaseascooters.com

**This Product is not manufactured by Nautica. For consumer purposes,
please contact Sport Dimension Inc. at 1-800-678-7873.**

(US & CANADA MARKET ONLY)

Please visit our website at www.Nauticaseascooters.com to find out your local distributor.

Products covered by the following patents:

USA, Canada, EU, Australia, Japan, Hong Kong, China & Turkey
US D471,506S / US D518,768S / D527,702S / US D506,176S / US D507,776S
D512,678S / D519,911S / 6848385 B2 / US 7000559 B2 / US 7093554 B1 / 11/102,302
0500577.8 / 0500578.0 / 0500579.2 / HK1072691 / ZL200530005661.5
ZL200430079550.4 / ZL200430057359.X / ZL200530005662.X / ZL200530005663.4
ZL200320103738.8 / ZL200520008894.5 / 1194933 / 1254107 / 1225250
000330311-0001 / 000183900-0001 / 000183900-0002 / 000330279-0001
000330295-0001 / 03020902.7 / 302949 / 302564 / 302563 / 302950
302948 / 2005100230 / 200503474 / 29/268,724 / 11/595,675 / 000816376-0001

US & CANADA MARKET ONLY

Toll Free (US) : 1-800-678-7873

info@nauticaseascooters.com

www.Nauticaseascooters.com

Nautica™ and ™ are trademarks of Nautica Apparel, Inc.

©Nautica Apparel, Inc. nautica.com

In addition, this warranty does not cover items that experience normal wear and tear.

ALL IMPLIED WARRANTIES ARE LIMITED IN THE DURATION TO THE WARRANTY PERIOD. AND SUCH IMPLIED WARRANTIES INCLUDING MERCHANTABILITY, FITNESS FOR A PARTICULAR PURPOSE, OR OTHERWISE, ARE DISCLAIMED IN THEIR ENTIRETY AFTER THE EXPIRATION OF THE APPROPRIATE WARRANTY PERIOD. THE DISTRIBUTOR'S OBLIGATION UNDER THE WARRANTY IS STRICTLY AND EXCLUSIVELY LIMITED TO THE REPAIR OR REPLACEMENT OF DEFECTIVE PARTS AND RETURN OF THE PRODUCT TO THE CUSTOMER. THE DISTRIBUTOR DOES NOT ASSUME OR AUTHORIZE ANYONE TO ASSUME FOR THEM ANY OTHER OBLIGATION.

THE DISTRIBUTOR ASSUMES NO RESPONSIBILITY FOR INCIDENTAL, CONSEQUENTIAL OR OTHER DAMAGES INCLUDING, BUT NOT LIMITED TO EXPENSE OF RETURNING THE PRODUCT TO THE DISTRIBUTOR, LOSS OF USE OF PRODUCT AND LOSS OF TIME OR INCONVENIENCE.

THIS PRODUCT IS DESIGNED AND INTENDED FOR PERSONAL RECREATIONAL USE ONLY!

THIS PRODUCT IS NOT WARRANTED FOR COMMERCIAL OR RENTAL USE!

REPAIR WORK OR DELIVERY OF A REPLACEMENT DOES NOT EXTEND OR RENEW THE WARRANTY PERIOD.

WARRANTY SHALL AUTOMATICALLY BE VOID IF DAMAGE IS RESULT OF NON-ORIGINAL PARTS.

LIMITED WARRANTY for Seascooters with camera mount:

- ALWAYS inspect to ensure the product works properly every time before use. Warranty of this product does not cover any damages due to misuse.
- Failure to follow the user(s) instructions on packaging and/or user(s) manual may result in damages or loss of your cameras including but not limited to any user's personal items, all of which are not covered under warranty of this product.
- Use at your own risk. Manufacturer(s) and/or suppliers/agents are not responsible for any damages/repairs, loss to cameras/electronic items including but not limited to any user's personal items directly and/or indirectly resulted in the use of this product. Damage(s) resulting from any use, misuse, accident, and normal wear and tear are understandably not covered under this product warranty nor be responsible by manufacturer(s) and/or suppliers/agents.

EXCLUSIONS

BATTERY. This warranty does not include the battery.

Never replace the original SEASCOOTER BATTERY with an AFTERMARKET BATTERY. Seascooter with aftermarket battery will not be covered by this warranty.

CUSTOMER ENQUIRIES

If your unit is not operating, please refer to your User Manual before contacting our Customer Service Center. For any damage or repair work required, please do not return your product to the store where it was purchased.

RETURN / REPAIR POLICY

Customers must contact their Local Distributor Service Center to ask for an official Claim Form. The Claim Form must be returned with the customer's contact details and a photo of the Seascooter, defective parts, the serial number and the Original Purchase Receipt. The Distributor Customer Service Center will review the case and issue a Return / Repair Authorization Number before sending the product to the Distributor Service Center. Returned products must be shipped with original packaging including the polystyrene packing material and all defective parts. Please contact your Local Distributor Service Center for assistance in handling your case.

Please visit our website www.Nauticaseascooters.com for a listing of most update distributor contacts and service center contacts.

RETURN / REPAIR PROCEDURE

1. Call the Customer Service Center for your Return / Repair Authorization Number.
2. Make a copy of your Proof of Purchase (receipt).
3. Pack the defective unit in its original packaging including the polystyrene foam and include the unit and all defective parts.
4. Attach the copy of your Proof of Purchase (receipt) to the outside of the box (clearly visible), together with the Return / Repair Authorization Number.
5. Ship the package to the Service Center on your cost.

PLEASE NOTE: Deliveries that do not have the Proof of Purchase (receipt) and Return / Repair Authorization Number attached clearly to the outside of the box, will not be accepted by the Service Center.

For any questions or queries you may have regarding your SEASCOOTER™, please follow the below steps for easy and fast resolution:

- STEP 1-

Please read your User Manual. For a copy of the User Manuals, please visit www.Nauticaseascooters.com

- STEP 2-

Go to www.Nauticaseascooters.com and see our FAQ section to find instant answers.

- STEP 3-

Contact one of our Customer Service representatives at the Customer Service Center in your region.