



AQUA MARINA

EN



# BLUEDRIVE S POWER FIN

## User's Guide PF-240S



### WARNING

For your own safety and that of your equipment, make sure to take the following precautions. Failure to follow warning notices and instruction may result in property damage, serious injury or death. Please keep the manual and read it carefully before using the product; If the manual is lost, please contact our after-sale service center.


# TABLE OF CONTENTS

- I. SAFETY WARNING
- II. MAIN COMPONENTS, PARAMETERS AND OVERALL DIMENSIONS
- III. PACKING LIST
- IV. INSTALLATION AND INSTRUCTION
- V. MAINTENANCE
- VI. GUIDANCE ON PROBLEMS
- VII. WARRANTY AND AFTER SERVICE CONTACT INFORMATION

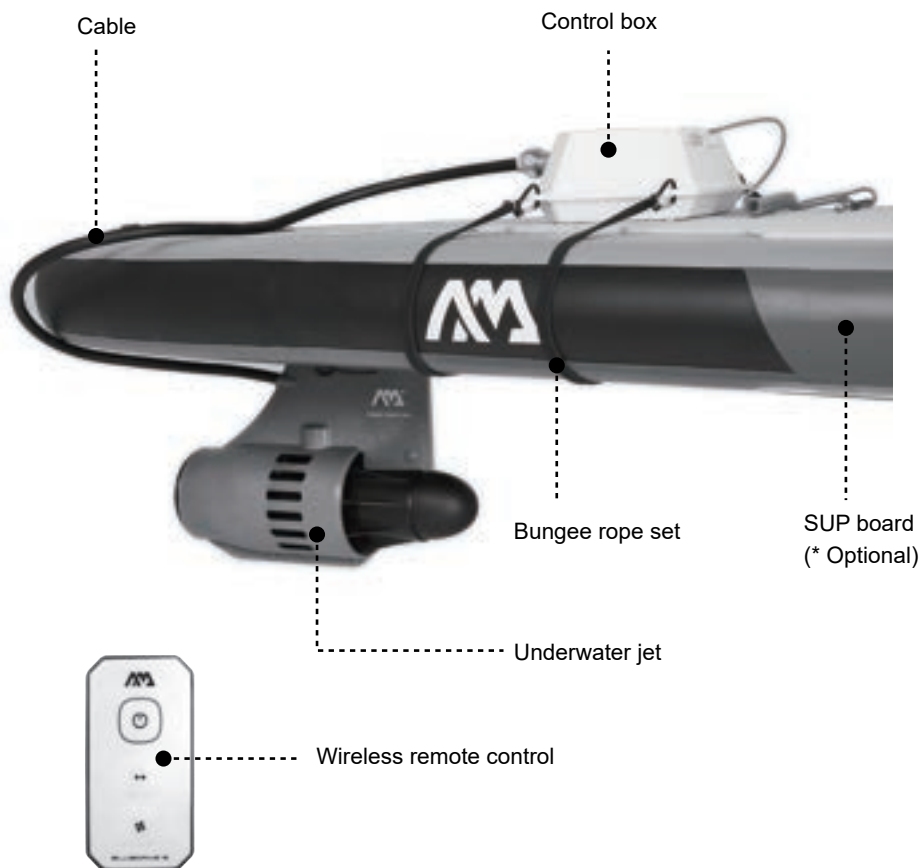
**Application scope of the product: Any types of SUP boards, kayaks or canoes with slide-in fin base. The electric power fin only provides the power in one-way direction, changing directions requires paddlers' operation.**

## **SAFETY WARNING**

1. This product is only for providing power for water leisure products and only limited to be used in water. It is forbidden to use it for other purposes.
2. When using the product, it is necessary to consider the use precautions of floating products, and the rules of the local waters and the use attention points.
3. When using the product, it is necessary to consider that the depth of the water is enough to float the devices of the power fin, so that it will not be damaged.
4. When using the product, it is required for each passenger to take with the lifejacket approved by CGA (coast guard approved) or similar PFD device and oars.
5. When using the product, a proper emergency stop leash should be tied with user's ankle.
6. Do not use this power fin in the fast flowing rivers, strong currents, or sudden storm or tide.
7. Do not use the product after taking pills or alcohol.
8. This appliance can be used by children aged from 8 years and above and persons with reduced physical sensory or mental capabilities or lack of experience and knowledge if they have been given supervision or instruction concerning use of the appliance in a safe way and understand the hazards involved. Children shall not play with the appliance. Cleaning and user maintenance shall not be made by children without supervision.
9. This product can not be used by children under 8 years old; and children should be in supervision to make sure they do not play with it.
10. Do not modify the product or add other parts to it in any way. If any parts is damaged, please contact after-sale service center.
11. If there is seaweed or fishing line wrapped on the propeller, or it is trapped in the mud, please turn off the power immediately and clear it up.
12. If touch any stones or obstacles in the water in using process, turn direction timely to avoid falling into the water.
13. Wash the power fin and its motor with fresh water; and do not put it in sea water or salt water to avoid damage to the motor.
14. This product is with li-ion batteries, always follow the batteries use principle and matters needing attention.
15. The battery must be removed from the appliance before it is scrapped.
16. The appliance must be disconnected from the supply mains before removing the battery.
17. The battery must be disposed properly according to local regulations.
18. Never charge or use the product in thunderstorms and lightning conditions.
19. It is necessary to check whether each connection is firm before each use.
20. Check whether its electricity is enough before each use.
21. The power fin only be supplied at SELV(Safety Extra Low Voltage), can be applied only with specified batteries, specified chargers and remote control. If user needs to replace them, please contact the appointed after-sale service center.

22. The electric charging port of the control box should be either connected with the power fin, or connected with charger, or cover its lid to avoid short circuit damage caused by other metals or moisture.
23. When the remote control and the charger are not used for a long time, it is necessary to disconnect power supply.
24. When it is not in use, it should be stored under the temperature of  $-15^{\circ}\sim 45^{\circ}$  and avoid direct sunlight.
25. If the power fin is scrapped or need to be replaced with new one, it is necessary to follow the principle of recycling or return it to the dealer.
26.  This is class III appliance, it must only be supplied at safety extra low voltage.
27. The appliance can be only used with specified chargers from the original manufacturer.

**The major components include:**

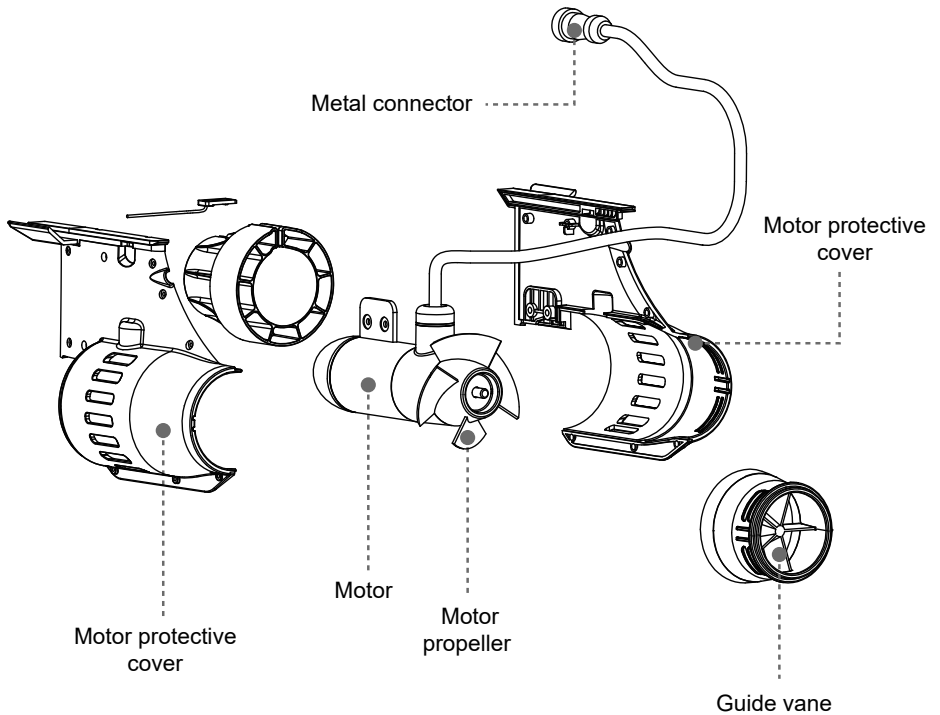






\* BLUEDRIVE S Power Fin is compatible with all AM iSUP boards and kayaks with slide-in fin box.

\* With a US Fin adaptor (optional), the power fin can be also used on any watercrafts with a US FIN box.

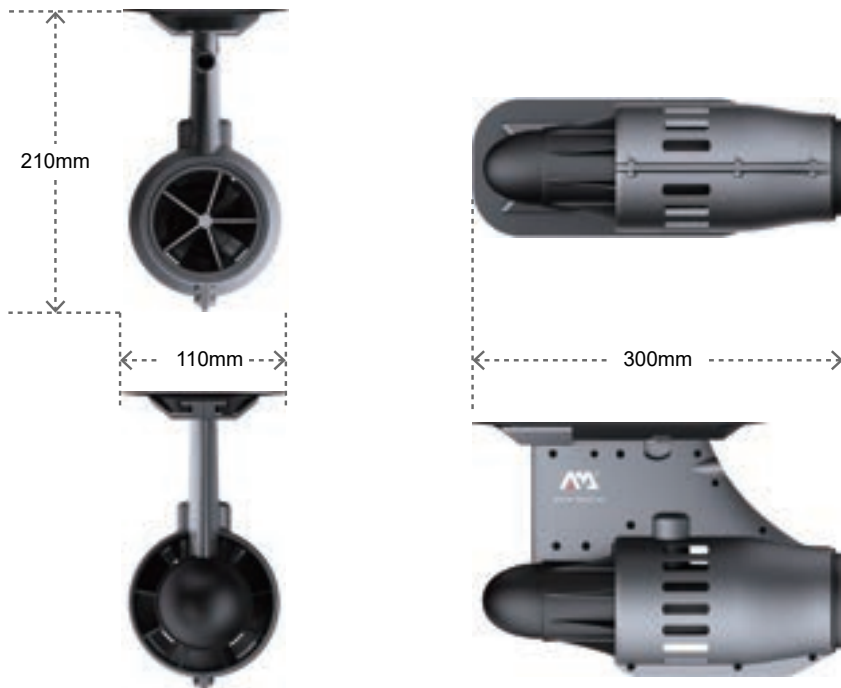
### **POWER FIN PRODUCT DETAIL:**



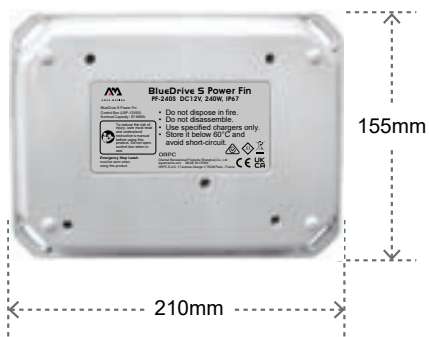
## PARAMETERS

<b>Underwater Jet</b>	<p><b>Motor Power:</b> 12V DC, 240W</p> <p><b>Operating Speed:</b> 4-6km/h</p> <ul style="list-style-type: none"><li>• Low gear  : Max. Speed 4km/h</li><li>• High gear  : Max. Speed 6km/h</li></ul> <p><b>Runtime:</b> 1h for low gear, 0.5h for high gear</p> <p><b>Protective Cover Material:</b> ABS</p> <p><b>Dimension:</b> 300 x 210 x 110mm (11.8" x 8.3" x 4.3")</p> <p><b>Weight:</b> 2.5kg (5.5lbs)</p>
<b>Control Box</b>	<p><b>Rechargeable Battery Pack:</b> 11.1VDC, 8.8Ah/97.68Wh Special lithium-ion battery for BlueDrive S Power Fin</p> <p><b>Material:</b> IP67, flame retardant ABS</p> <p><b>Battery Life:</b> ≥300 cycles</p> <p><b>Dimension:</b> 210 x 155 x 75mm (8.3" x 6.1" x 3")</p> <p><b>Net Weight:</b> 1.25kg (2.8lbs)</p> <p>With rechargeable battery, circuit board and 2-in-1 magnetic switch (working as both power switch and emergency stop switch)</p>
<b>Charger</b>	<p><b>Input:</b> 230V / 50Hz</p> <p><b>Output:</b> DC12.6V 5A</p> <p>Full charging time for battery pack is 2~3 hours</p>
<b>Interface</b>	<p>Metal interface of IP67 marine waterproof for plug in</p>
<b>Remote Control</b>	<p><b>Operation Frequency Range:</b> 2400~2483.5 MHz</p> <p><b>Radio Frequency Transmitting Power:</b> 36 mW</p> <p><b>Max Output Power:</b> 6.18 dBm (E.I.R.P)</p>
<b>Packing Dimension</b>	<p>62 x 29.5 x 18.5cm (24.4" x 11.6" x 7.3")</p>
<b>Packing weight / Net weight:</b>	<p>5.9 kg (13 lbs) / 4.25 kg (9.4 lbs)</p>

## **OVERALL DIMENSIONS:**



**Overall dimension chart of power fin, 300 x 210x 110mm (11.8" x 8.3" x 4.3")**









**Overall dimension chart of the control box, 210 x 155 x 75mm (8.3" x 6.1" x 3")**



**Overall dimension chart of the handbag, 610 x 282 x 175mm (24" x 11.1" x 6.9")**

## PACKING LIST

No.	Name of component part	Picture	Quantity/ Unit	Remark
1	Underwater Jet		1 Set	With power cord, plug, fin base and push-in pin
2	Control Box ( Include Li-ion battery pack)		1 Set	With rechargeable battery, circuit board and 2-in-1 magnetic switch (working as both power switch and emergency stop switch)
3	Elastic rope buckle		1 Set	Black elastic rope of 88cm in length with carabiner
4	Remote Control		1 Set	With arm band, remote control and battery (CR 2025/CR 2032 3V)
5	Charger		1 Set	Picture shown: Europe standard (*The actual charging plug may vary with different regional standards.)
6	Manual		1 Copy	European standard



# INSTALLATION AND INSTRUCTION

1. Open the packing box and check whether the components are complete
2. Install power fin into ISUP (as shown in the picture)
  - 2.1 Insert the bottom of power fin into the fin base of ISUP;
  - 2.2 Insert the slide in push-in pin into the fin base;



2.1



2.2

\* With a US Fin adaptor, the power fin can be also used on any watercrafts with a US FIN box.

### 3. Install the control box

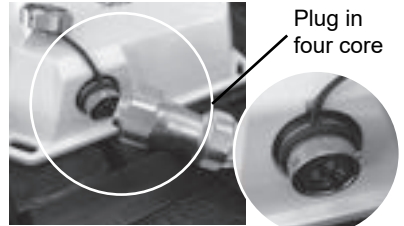
Firstly check whether the control box is with electricity (please refer to the manual of Magnetic Switch for details). If it is without or lack of electricity, please charge the control box in following steps (as shown in following pictures).



a



b



c



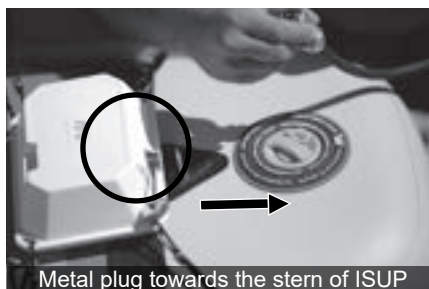
d



e

- a. Insert the power cord of the charger into the corresponding hole position on the charger to charge the control box.
- b. Screw off the metal nut on the back of the control box counterclockwise;
- c. Connect the metal plug on the charger to the corresponding connector on the control box (Please note the direction of convex and concave corresponding position) and tighten the nut;
- d. Plug the power plug of the charger into the home power supply.
- e. Snap the magnetic switch in the right position of the control box. And the indicator light on the charger will turn red when it is charging successfully. Please note: the control box can NOT be charged when it is not connected with the magnetic switch.
- f. The indicator light on the charger will turn solid green when the control box is fully charged. After charging, remove the power plug and charger and keep them properly for next charging.

- 3.1 Put the control box on the ISUP with the direction of metal plug towards the stern of ISUP;
- 3.2 Fix the battery by fastening the elastic ropes across the bottom of board respectively and hook them on the 4 corners of control box.



4. The connection between the power fin and the control box: screw off the nut lid of the metal plug on the control box, and insert the metal plug in the end of power line of the power fin into the corresponding metal socket hole of the control box with correct direction and proper inserting; and tighten the metal nut.



## 5. Remote control

- 5.1 Please pull out the insulation layer (a transparent sheet) from the remote control before first use.
- 5.2 Loading the remote control into waterproof sleeve, and put it on the arm (as shown in the following picture)
- 5.3 Note: For the remote control, the effective distance is under 10 meters.






5.1



5.2

### 5.4 Operations of Remote Control:

- a.  : Start and operate at low gear
- b.  : Start and operate at high gear
- c.  : Stop (Note: This is NOT a “start” button.)




The user can do remote operation on ISUP & Kayak products



### 5.5 Pairing Operation

In most cases, pairing is not needed.

When there are over 2 devices, please follow pairing operations as below:

- a. Snap the magnetic switch in the right position of the control box;
- b. Simultaneously press    these 3 buttons on the remote control until the indicator light is turned on to enter the pairing mode;
- c. When pairing is done, the indicator light will flash for 3 times, and the remote control could be used normally.

## 6. Magnetic Switch Cord

6.1 The magnetic switch cord is a 2-in-1 design, working as both power switch and emergency stop switch.

6.2 For standby mode, snap the magnetic switch in the right position of the control box, and the indicator light will flash blue for 5 times and turn solid blue to display the remaining battery.

The remaining battery is roughly indicated by the number of dots: 4-dot for nearly 100% battery, 3-dot for nearly 75% battery and so on.

6.3 To shut the battery off, pull out the magnetic switch directly.

6.4 Before each use, always connect the magnetic switch cord with the safety leash. If the red pull cord is removed from the control box in emergency, the motor will immediately stop to avoid any danger.



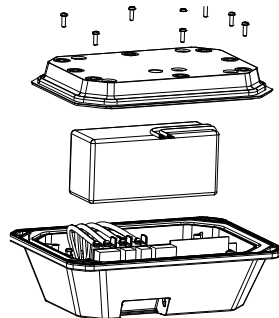
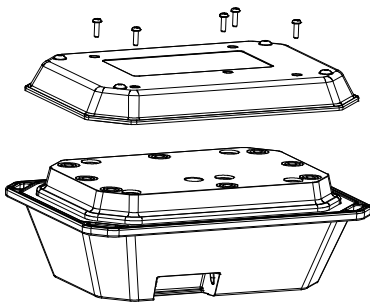
6.2

6.4

## 7. How to Remove Li-ion Battery

7.1 The battery must be removed from the appliance before it is discarded.

7.2 To remove the Li-ion battery, firstly remove 5 screws from bottom base. Then remove 8 screws from the back cover, and the Li-ion battery pack could be easily separated from the control box.



## 8.Storage Guidelines for Control Box

8.1 Do not over-discharge.

- a. Charge the battery after each use.
- b. Recharge the battery every six months even if it hasn't been used.
- c. Over-discharge during storage may damage the battery and reduce its lifetime.

8.2 Storage Temperature

Recommended storage temperature is 18-25 °C .



**18-25 °C**

8.3 Battery Replacement

It is recommended to replace the control box every 2-3 years for a good battery performance.

## MAINTENANCE

Maintenance part	Time interval	Maintenance process
Remote control	Every month	If you don't use it for a long time, please remove the battery;
Underwater jet	After each use	Clean up seaweeds and fishing lines, and use fresh water to wash the jet and dry.
Control Box	After each use	Wipe it with a rag and dry it
Control Box	In any case	Do not open the control box by in any cases. Please contact a local dealer or an after-service center for the battery maintenance.
The back side of propeller	After each use	Disassemble propeller to check whether there are fishing lines, weeds or other residues wrapped in propeller or spindle, which will result in a decline in its power.
The connection section of appliances	Before and after each use	Check whether there is a scratch on the wire, please contact the after service center for replacement if needed; If there is water mark or other foreign body, please clean it up.

## DISPOSAL AND ENVIRONMENTAL PROTECTION



This marking indicates this product should not be disposed with other household wastes. To prevent possible harm to the environment or human health from uncontrolled waste disposal, recycle it responsibly to promote the sustainable reuse of material resources. You can obtain information on disposal from your local authorities.

To return your used device, please use the return and collection systems or contact the retailer where the product was purchased. They can take this product for environmental safe recycling.

## GUIDANCE ON PROBLEMS

No.	Problem description	Solutions
1	The remote control does not work	<ol style="list-style-type: none"> <li>1. Check whether the battery is good and loaded properly</li> <li>2. Check if the insulation layer is removed.</li> </ol>
2	The charger does not work	Check whether the connection of the aviation plug is reliable.
3	The booster does not work	<ol style="list-style-type: none"> <li>1. Check whether the aviation plug between the motor and the control box is reliable;</li> <li>2. Check whether the magnetic switch is assembled.</li> </ol>
4	The operation of propeller stagnate	<ol style="list-style-type: none"> <li>1. Check whether there are fishing lines, weeds or other residues wrapped in propeller, if yes, please clean it;</li> <li>2. Check whether there is electricity in the control box;</li> <li>3. Check the connection end of the control box to make sure the connection is reliable and free of debris;</li> </ol>
5	The booster is with big noise and serious shaking.	<ol style="list-style-type: none"> <li>1. Check whether there are fishing lines, weeds or other residues wrapped in propeller, if yes, please clean it;</li> <li>2. Check whether the propeller is destroyed, if yes, please contact after-sale service center;</li> <li>3. Check whether the screw looses, if yes, please contact after-sale service center;</li> <li>4. Disconnect the power supply and stir the propeller to check whether the propeller can turn freely and smoothly; Any obstacle or lock means there is foreign body in the motor, please contact after-sale service center;</li> </ol>

## WARRANTY AND AFTER SERVICE CONTACT INFORMATION

Product warranty is 1 year; and it is not within the scope of the warranty for any modification or use beyond the scope of product use, or any damage caused by wrong operation not in accordance with the manual.



AM Official Site



AM HOW-TO Guide



AM Service Center List





AQUA MARINA

FR



# BLUEDRIVE S POWER FIN

## Guide de l'utilisateur PF-240S



### AVERTISSEMENT

Pour votre propre sécurité et celle de votre équipement, assurez-vous de prendre les précautions suivantes. Si vous ne suivez pas ces avertissements et ces instructions, cela peut entraîner des dommages matériels, des blessures graves ou la mort. Veuillez conserver le manuel et le lire attentivement avant d'utiliser le produit; Si vous perdez le manuel, veuillez contacter notre centre de service après-vente.


# TABLE DES MATIÈRES

- I. AVERTISSEMENTS DE SÉCURITÉ
- II. PRINCIPAUX COMPOSANTS, PARAMÈTRES ET DIMENSIONS GÉNÉRALES
- III. LISTE D'EMBALLAGE
- IV. INSTALLATION ET INSTRUCTIONS
- V. MAINTENANCE
- VI. CONSEILS CONCERNANT LES PROBLÈMES
- VII. GARANTIE ET INFORMATIONS DE CONTACT APRÈS SERVICE

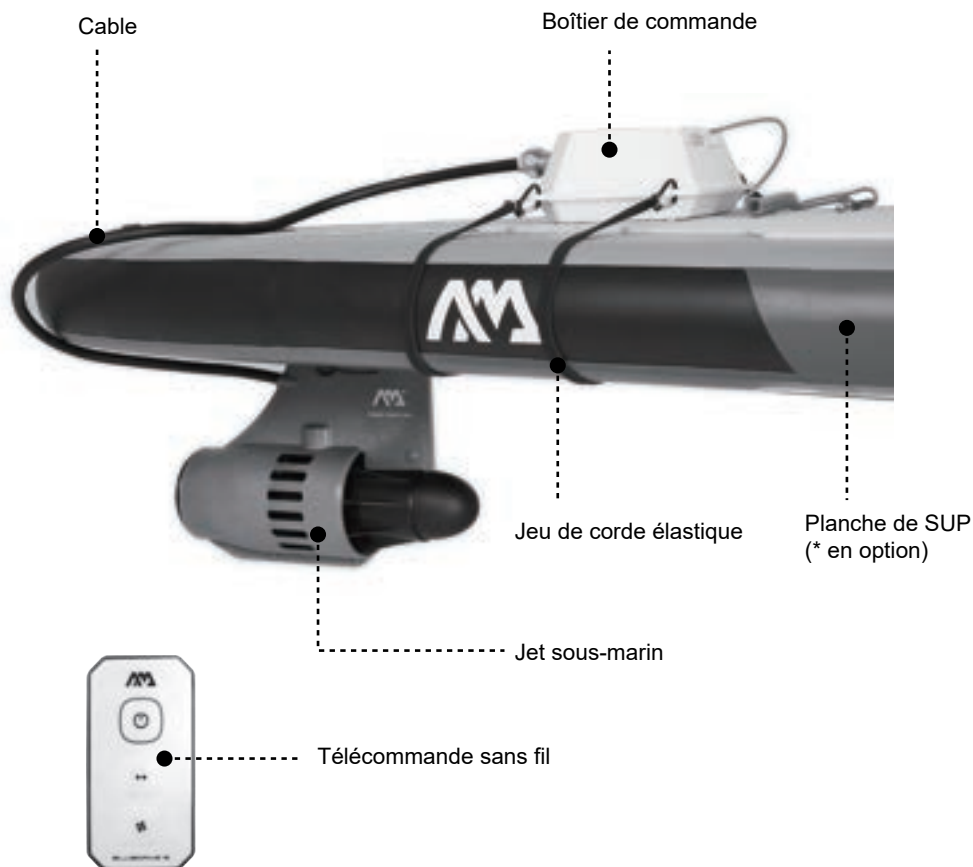
**Domaine d'application du produit: Tout type de planches SUP, kayaks ou canoës avec base d'aileron coulissant. L'aileron d'alimentation électrique fournit l'alimentation dans un sens, le changement de direction nécessitant la mise en action des pagayeurs**

## **AVERTISSEMENT DE DE SÉCURITÉ**

1. Ce produit est uniquement destiné à alimenter les produits de loisirs aquatiques et ne doit être utilisé que dans l'eau. Il est interdit de l'utiliser à d'autres fins.
2. Lors de l'utilisation du produit, il faut tenir compte des précautions d'emploi des produits flottants, des règles des eaux locales et des points d'attention pour l'utilisation.
3. Lors de l'utilisation du produit, il faut s'assurer que la profondeur de l'eau est suffisante pour faire flotter les dispositifs de l'aileron d'alimentation (moteur électrique), afin que celui-ci ne soit pas endommagé.
4. Lors de l'utilisation du produit, chaque passager doit obligatoirement emporter un gilet de sauvetage approuvé par CGA (approuvé par la Garde côtière) ou un équipement de VFI similaire et des rames.
5. Lors de l'utilisation du produit, une laisse d'arrêt d'urgence convenable doit être attachée à la cheville de l'utilisateur.
6. N'utilisez pas cet aileron d'alimentation dans les rivières à courant rapide, les forts courants, en cas de tempêtes ou de marées soudaines.
7. N'utilisez pas le produit après avoir pris des pilules ou de l'alcool.
8. Cet appareil peut être utilisé par des enfants âgés de 8 ans et plus et par des personnes ayant des capacités sensorielles ou mentales physiques réduites ou manquant d'expérience et de connaissances si elles sont surveillées ou si elles ont reçu des instructions concernant l'utilisation de l'appareil de manière sûre et si elles sont conscientes des dangers impliqués. Les enfants ne doivent pas jouer avec cet appareil. Le nettoyage et la maintenance par l'utilisateur ne doivent pas être effectués par des enfants sans surveillance.
9. Ce produit ne doit pas être utilisé par les enfants de moins de 8 ans. et les enfants doivent être sous surveillance pour s'assurer qu'ils ne jouent pas avec.
10. Ne modifiez pas le produit et n'y ajoutez aucune autre pièce. Si des pièces sont endommagées, veuillez contacter le centre de service après-vente.
11. Si des algues ou des lignes de pêche se sont enchevêtrées dans l'hélice ou si elles sont emprisonnées dans la boue, veuillez éteindre immédiatement le courant et nettoyer.
12. Au cas où vous touchez des pierres ou des obstacles dans l'eau lors de l'utilisation du processus, retournez-vous à temps pour éviter de tomber dans l'eau.
13. Lavez l'aileron d'alimentation et son moteur avec de l'eau douce. et ne le mettez pas dans de l'eau de mer ou dans de l'eau salée pour éviter d'endommager le moteur.
14. Ce produit est équipé de batteries Li-ion, suivez toujours le mode d'emploi des batteries et les points nécessitant une attention particulière.
15. La batterie doit être retirée de l'appareil avant de vous débarrasser de l'appareil.
16. L'appareil doit être débranché du secteur avant de retirer la batterie.
17. La batterie doit être éliminée conformément aux réglementations locales.
18. Ne chargez pas, n'utilisez pas le produit par temps d'orage ou de foudre.
19. Il est nécessaire de vérifier si chaque connexion est bonne avant chaque utilisation.
20. Vérifiez si son électricité est suffisante avant chaque utilisation.
21. L'aileron d'alimentation ne doit être fournie qu'avec SELV (Tension de sécurité très basse), il ne peut être utilisé qu'avec des batteries spécifiées, des chargeurs spécifiés et une télécommande. Si l'utilisateur a besoin de les remplacer, veuillez contacter le centre de

- service après-vente désigné.
22. Le port de charge électrique du boîtier de commande doit être connecté à l'aileron d'alimentation ou au chargeur et recouvrir son couvercle pour éviter tout court-circuit causé par d'autres métaux ou par l'humidité.
  23. Lorsque la télécommande et le chargeur ne sont pas utilisés pendant une longue période de temps, il est nécessaire de débrancher l'alimentation.
  24. Lorsqu'il n'est pas utilisé, conservez-le à une température comprise entre  $-15^{\circ}\text{C}$  et  $45^{\circ}\text{C}$  et évitez toute exposition directe aux rayons du soleil.
  25. Si l'aileron d'alimentation est mis au rebut ou doit être remplacé par un neuf, il est nécessaire de suivre le mode de recyclage ou de le renvoyer au revendeur.
  26.  Cet appareil est un appareil de classe III, il ne doit être alimenté qu'avec une très basse tension de sécurité.
  27. L'appareil ne peut être utilisé qu'avec les chargeurs spécifiés par le fabricant d'origine.

### **Les principaux composants comprennent:**

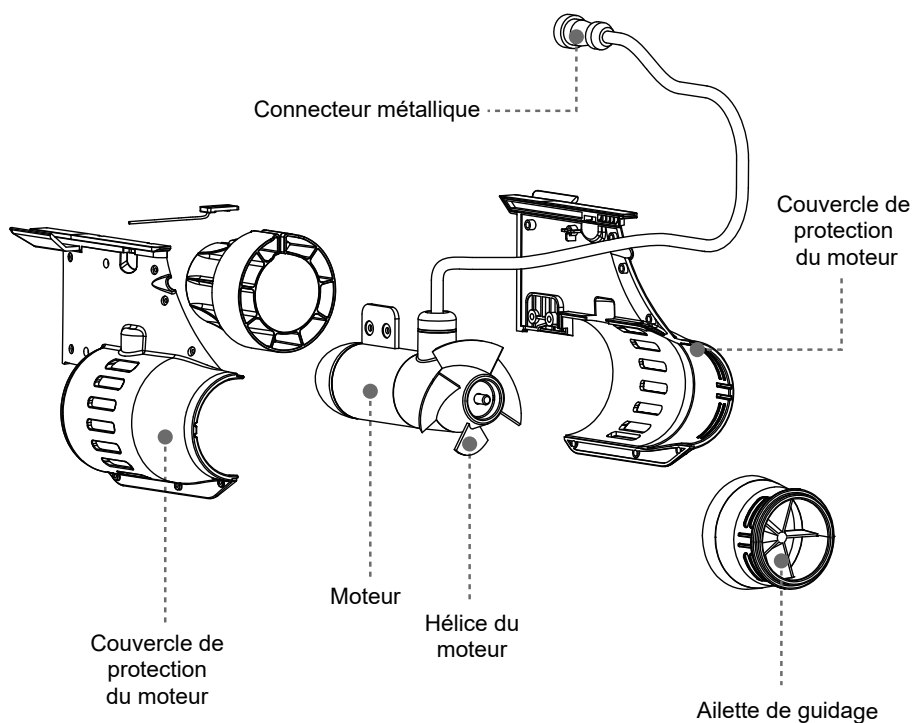






\* L'aileron d'alimentation (moteur électrique) BLUEDRIVE S est compatible avec toutes les planches et les kayaks AM iSUP avec boîtier d'aileron coulissant.

\* Avec un adaptateur aileron US (en option), l'aileron d'alimentation (moteur électrique) peut également être utilisé sur tout bateau avec une boîte US FIN

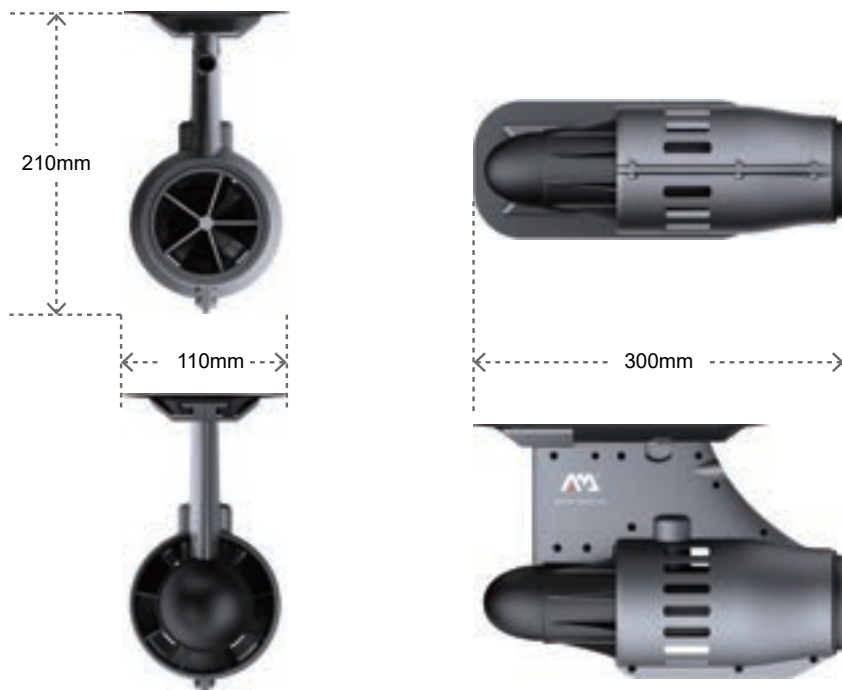
### **DÉTAIL DU PRODUIT AILERON D'ALIMENTATION:**



## PARAMÈTRES

<b>Jet sous-marin</b>	<p><b>Puissance du moteur:</b> 12V DC, 240W</p> <p><b>Vitesse de fonctionnement:</b> 4-6km/h</p> <ul style="list-style-type: none"><li>• Faible  : vitesse: Max. 4km/h</li><li>• Grande  : vitesse: Max. 6km/h</li></ul> <p><b>Durée:</b> 1h en faible vitesse, ½ h en grande vitesse</p> <p><b>Matériau de protection:</b> ABS</p> <p><b>Dimensions:</b> 300 x 210 x 110mm (11 8" x 8.3" x 4.3")</p> <p><b>Poids:</b> 2.5kg (5.5lb)</p>
<b>Boîtier de commande</b>	<p><b>Batterie rechargeable:</b> 11.1VDC, 8.8Ah/97.68Wh</p> <p>Batterie lithium-ion spéciale pour aileron d'alimentation BlueDrive S</p> <p><b>Matériau:</b> IP67, ABS ignifuge</p> <p><b>Durée de vie de la batterie:</b> ≥300 cycles</p> <p><b>Dimension:</b> 210 x 155 x 75mm (8.3" x 6.1" x 3")</p> <p><b>Poids net:</b> 1.25kg (2.8lb)</p> <p>Avec batterie rechargeable, circuit imprimé et Interrupteur magnétique 2 en 1 (servant à la fois comme interrupteur d'alimentation et comme interrupteur d'arrêt d'urgence)</p>
<b>Chargeur</b>	<p><b>Entrée:</b> 230V / 50Hz</p> <p><b>Output:</b> 12,6V CC 5A</p> <p>Pour une charge complète de la batterie, il faut 2~3 heures</p>
<b>Interface</b>	Interface métallique IP67 marine étanche pour brancher
<b>Télécommande</b>	<p><b>Gamme de fréquences de fonctionnement:</b> 2400~2483.5 MHz</p> <p><b>Puissance d'émission de radiofréquence:</b> 36 mW</p> <p><b>Puissance de sortie maximale:</b> 6.18 dBm (E.I.R.P)</p>
<b>Dimension de l'emballage</b>	62 x 29.5 x 18.5cm (24.4" x 11.6" x 7.3")
<b>Poids de l'emballage / poids net</b>	5.9 kg (13 lb) / 4.25 kg (9.4 lb)

## DIMENSIONS GÉNÉRALES:



Figures des dimensions globales de l'aileron d'alimentation,  
300 x 210x 110mm (11,8" x 8,3" x 4,3")

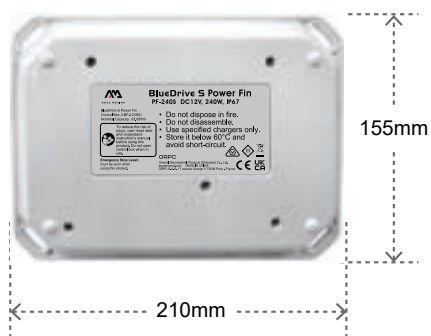


Figure des dimensions globales du boîtier  
de commande, 210 x 155 x 75mm  
(8,3" x 6,1" x 3")

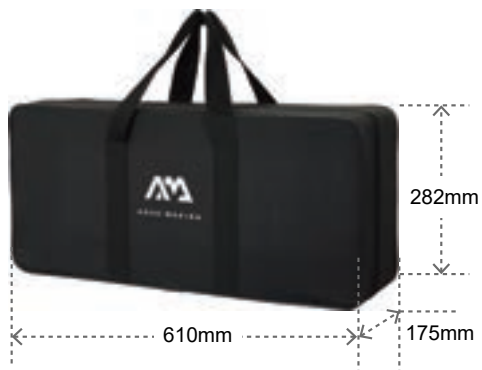


Figure des dimensions globales du sac  
à main, 610 x 282 x 175mm (24" x 11,1" x 6,9")

## **LISTE D'EMBALLAGE**

<b>N°.</b>	<b>Nom de la pièce</b>	<b>Image</b>	<b>Quantité / Unité</b>	<b>Remarque</b>
1	Jet sous-marin		1 Jeu	Avec cordon d'alimentation, fiche, base d'aileron et broche d'insertion
2	Boîtier de commande ( batterie Li-ion incluse)		1 Jeu	Avec batterie rechargeable, carte de circuit imprimé et interrupteur magnétique 2 en 1 (servant à la fois d'interrupteur d'alimentation et d'interrupteur d'arrêt d'urgence)
3	Corde élastique en boucle		1 Jeu	Avec brassard, télécommande et batterie (CR 2025/CR 2032 3V)
4	Télécommande		1 Jeu	Avec brassard, télécommande et batterie (CR 2025/CR 2032 3V)
5	Chargeur		1 Jeu	Illustration: norme européenne (* La fiche de charge réelle peut varier selon les normes régionales.)
6	Notice		1 Copie	Norme européenne



# INSTALLATION ET INSTRUCTIONS

1. Ouvrez le carton et vérifiez s'il y a tous les composants
2. Installez l'aileron d'alimentation (moteur électrique) dans l'ISUP (comme indiqué sur l'image)

2.1 Insérez le bas de l'aileron d'alimentation dans la base de l'ISUP;

2.2 Insérez la glissière dans la broche d'insertion dans la base de l'aileron;



2.1



2.2

\* Avec un adaptateur US Fin, l'aileron d'alimentation peut également être utilisé sur toutes les embarcations équipées d'un boîtier US FIN.

3. Installation du boîtier de commande

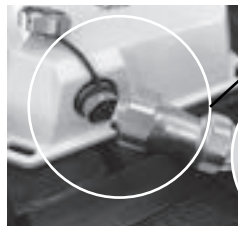
Tout d'abord, vérifiez si le boîtier de commande est alimenté en électricité (veuillez vous reporter au manuel de l'Interrupteur magnétique pour plus de détails). S'il n'est pas alimenté en électricité, chargez le boîtier de commande en procédant comme ce qui suit (comme indiqué dans les images suivantes) .



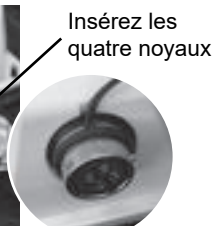
a



b



c



d



e

- a. Insérez le cordon d'alimentation du chargeur à l'emplacement correspondant sur le chargeur pour charger le boîtier de commande.
- b. Dévissez l'écrou métallique situé à l'arrière du boîtier de commande dans le sens antihoraire;
- c. Connectez la fiche métallique du chargeur au connecteur correspondant du boîtier de commande (veuillez noter le sens de la position correspondante convexe et concave) et serrez l'écrou;
- d. Branchez la fiche d'alimentation du chargeur sur l'alimentation secteur de la maison.
- e. Enclenchez l'interrupteur magnétique dans la bonne position du boîtier de commande, alors, le voyant sur le chargeur devient rouge lorsque le chargement est réussi. Remarque: le boîtier de commande ne peut PAS être chargé s'il n'est pas connecté à l'interrupteur magnétique.
- f. Le voyant du chargeur s'allumera en permanence en vert une fois que le boîtier de commande sera complètement chargé. Après le chargement, débranchez le cordon d'alimentation et le chargeur et conservez-les convenablement pour la prochaine recharge.

3.1 Placez le boîtier de commande sur l'ISUP en orientant la fiche en métal vers la poupe de l'ISUP;

3.2 Fixez la batterie en fixant les cordes élastiques au bas de la planche, respectivement et accrochez-les aux 4 coins du boîtier de commande.



Bouchon métallique vers la poupe de l'ISUP

4. Connexion entre l'aileron d'alimentation et le boîtier de commande: dévisser le cache-écrou de la fiche métallique, située sur le boîtier de commande, et insérer la fiche métallique dans l'extrémité de la ligne d'alimentation de l'aileron d'alimentation dans le trou de la douille métallique correspondant du boîtier de commande, et cela dans le bon sens et en l'insérant correctement; ensuite serrer l'écrou métallique.



## 5. Télécommande

5.1 Veuillez retirer la couche isolante (une feuille transparente) de la télécommande avant la première utilisation.

5.2 Mettez la télécommande dans le manchon étanche et placez-la sur le bras (comme indiqué dans l'image ci-dessous)

5.3 Remarque: Pour la télécommande, la distance d'utilisation est inférieure à 10 mètres.



5.1



5.2

### 5.4 Fonctions de la télécommande:

- a. : Démarrer et fonctionner à basse vitesse
- b. : Démarrer et fonctionner à grande vitesse
- c. : Stop (Note: Ceci n'est PAS un bouton "démarrer".)

L'utilisateur peut effectuer des opérations à distance sur les produits ISUP et Kayak



### 5.5 Opération d'appariement

Dans la plupart des cas, l'appariement n'est pas nécessaire.

S'il y a plus de 2 appareils, veuillez suivre l'opération d'appariement ci-dessous:

- a. Enclenchez l'interrupteur magnétique dans la bonne position du boîtier de commande;
- b. Appuyez sur simultanément, 3 touches de la télécommande, jusqu'à ce que le voyant s'allume pour passer en mode d'appariement;
- c. Lorsque l'appariement est terminé, le voyant clignotera 3 fois et la télécommande pourra alors être utilisée normalement.

## 6. Cordon du commutateur magnétique

- 6.1 Le cordon de l'interrupteur magnétique est un modèle 2 en 1, fonctionnant à la fois comme interrupteur d'alimentation et comme interrupteur d'arrêt d'urgence.
- 6.2 En mode veille, enclenchez l'interrupteur magnétique à la bonne position du boîtier de commande. Le voyant lumineux clignotera en bleu pendant 5 fois et deviendra bleu en continu pour afficher la quantité d'énergie restante de la batterie. Ce qui reste de la batterie est approximativement indiquée par le nombre de points: 4 points 100% de la batterie environ, 3 points près de 75% de batterie, etc.
- 6.3 Pour éteindre la batterie, tirez directement le commutateur magnétique.
- 6.4 Avant chaque utilisation, connectez toujours le cordon de l'interrupteur magnétique à la laisse de sécurité. Si le cordon rouge est retiré du boîtier de commande en cas d'urgence, le moteur s'arrêtera immédiatement pour éviter tout danger.



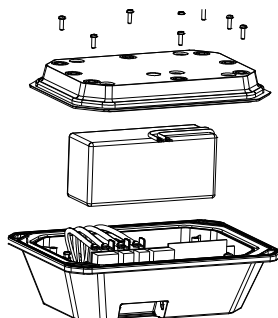
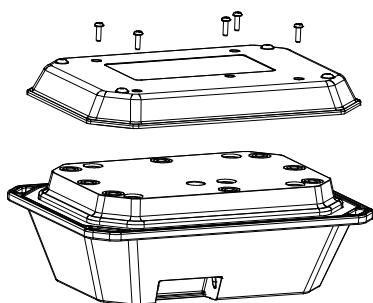
6.2



6.4

## 7. Comment retirer la batterie Li-ion

- 7.1 La batterie doit être retirée de l'appareil avant de le jeter.
- 7.2 Pour retirer la batterie Li-ion, commencez par retirer les 5 vis de la base inférieure. Retirez ensuite les 8 vis du couvercle arrière et la batterie Li-ion pourrait être facilement séparée du boîtier de commande



## 8. Directives pour le stockage du boîtier de commande

8.1 Ne pas trop décharger.

- a. Chargez la batterie après chaque utilisation.
- b. Rechargez la batterie tous les six mois, même si elle n'a pas été utilisée.
- c. Une décharge excessive pendant le stockage peut endommager la batterie et réduire sa durée de vie.

8.2 Température de stockage

La température de stockage recommandée est de 18-25 C.



**18-25°C**

8.3 Remplacement de la batterie

Il est recommandé de remplacer le boîtier de commande tous les 2 ou 3 ans pour obtenir une bonne performance de la batterie.

## MAINTENANCE

Partie maintenance	Intervalle de temps	Processus de la maintenance
Télécommande	Chaque mois	Si vous ne l'utilisez pas pendant une longue période de temps, veuillez retirer la batterie.
Jet sous-marin	Après chaque utilisation	Nettoyez les algues et les lignes de pêche et utilisez de l'eau douce pour laver le jet et sécher.
Boîtier de commande	Après chaque utilisation	Essuyez-le avec un chiffon et séchez-le
Boîtier de commande	Dans tout les cas	Il ne faut jamais ouvrir le boîtier de commande. Veuillez contacter un revendeur local ou un centre de service après-vente pour la maintenance de la batterie.
La face arrière de l'hélice	Après chaque utilisation	Démontez l'hélice pour vérifier s'il y a des lignes de pêche, des mauvaises herbes ou d'autres résidus enchevêtrés dans l'hélice ou la broche, ce qui pourrait entraîner une perte de puissance.
La section de connexion des appareils	Avant et après chaque utilisation	Vérifiez s'il y a une égratignure sur le fil. Veuillez contacter le centre de service après-vente pour le remplacer si nécessaire. S'il y a une trace d'eau ou un autre corps étranger, veuillez le nettoyer.

## ÉLIMINATION ET PROTECTION DE L'ENVIRONNEMENT



Ce marquage indique que ce produit ne doit pas être éliminé avec les autres déchets ménagers. Pour éviter tout risque d'atteinte à l'environnement ou à la santé humaine provenant d'une élimination incontrôlée des déchets, recyclez-le de manière responsable afin de promouvoir la réutilisation durable des ressources matérielles. Vous pouvez obtenir des informations sur l'élimination du produit auprès de vos autorités locales

Pour retourner votre appareil usagé, veuillez utiliser les systèmes de retour et de collecte ou contactez le revendeur chez qui vous avez acheté le produit. Ils pourront reprendre ce produit pour un recyclage sans danger pour l'environnement.

## CONSEILS CONCERNANT LES PROBLÈMES

N°	Description du problème	Solutions
1	La télécommande ne fonctionne pas	<ol style="list-style-type: none"> <li>1. Vérifiez si la batterie est bonne et si elle est chargée correctement</li> <li>2. Vérifiez si la couche d'isolation est enlevée.</li> </ol>
2	Le chargeur ne fonctionne pas	Vérifiez si la connexion de la fiche aviation est fiable.
3	Le rappel ne fonctionne pas	<ol style="list-style-type: none"> <li>1. Vérifiez que la fiche aviation située entre le moteur et le boîtier de commande est fiable.</li> <li>2. Vérifiez si l'interrupteur magnétique est assemblé.</li> </ol>
4	L'hélice s'arrête	<ol style="list-style-type: none"> <li>1. Vérifiez s'il y a des lignes de pêche, de mauvaises herbes ou d'autres résidus enchevêtrés dans l'hélice. Si oui, nettoyez-les;</li> <li>2. Vérifiez s'il y a de l'électricité dans le boîtier de commande;</li> <li>3. Vérifiez l'extrémité de la connexion du boîtier de commande pour vous assurer que la connexion est fiable et ne présente pas de débris.</li> </ol>
5	Le rappel produit beaucoup de bruit et de fortes secousses.	<ol style="list-style-type: none"> <li>1. Vérifiez s'il y a des lignes de pêche, de mauvaises herbes ou d'autres résidus enchevêtrés dans l'hélice. Si oui, nettoyez-les;</li> <li>2. Vérifiez si l'hélice est détruite. Si oui, veuillez contacter le service après-vente.</li> <li>3. Vérifiez si la vis est desserrée. Si oui, contactez le service après-vente.</li> <li>4. Débranchez l'alimentation électrique et faites bouger l'hélice pour vérifier si elle peut tourner librement et sans à-coups. Un obstacle ou un blocage signifie qu'il y a un corps étranger dans le moteur. Veuillez contacter le service après-vente.</li> </ol>

## GARANTIE ET INFORMATION DE CONTACT APRÈS SERVICE

La garantie du produit est de 1 an. Toute modification ou utilisation allant au-delà de l'utilisation du produit, ou tout dommage causé par une mauvaise opération non conforme au manuel n'entre pas dans le cadre de la garantie.



Site officiel de AM



Guide de AM HOW-TO



Liste des centres de service AM





AQUA MARINA

DE



# BLUEDRIVE S POWER FIN

## Benutzerleitfaden PF-240S



### WARNHINWEIS

Beachten Sie zu Ihrer Sicherheit und der Ihrer Ausrüstung die folgenden Vorsichtsmaßnahmen. Die Nichtbeachtung von Warnhinweisen und Anweisungen kann zu Sachschäden, schweren Verletzungen oder zum Tode führen. Bitte bewahren Sie das Handbuch auf und lesen Sie es sorgfältig durch, bevor Sie das Produkt verwenden; Falls das Handbuch abhanden kommt, wenden Sie sich bitte an unser Kundenservice-Center.


# INHALTSVERZEICHNIS

- I. SICHERHEITSHINWEISE
- II. HAUPTKOMPONENTEN, PARAMETER UND ABMESSUNGEN
- III. VERPACKUNGSINHALT
- IV. INSTALLATION UND BEDIENUNG
- V. WARTUNG
- VI. FEHLERBEHEBUNG
- VII. GARANTIE UND KONTAKTINFORMATION DES KUNDENDIENSTES

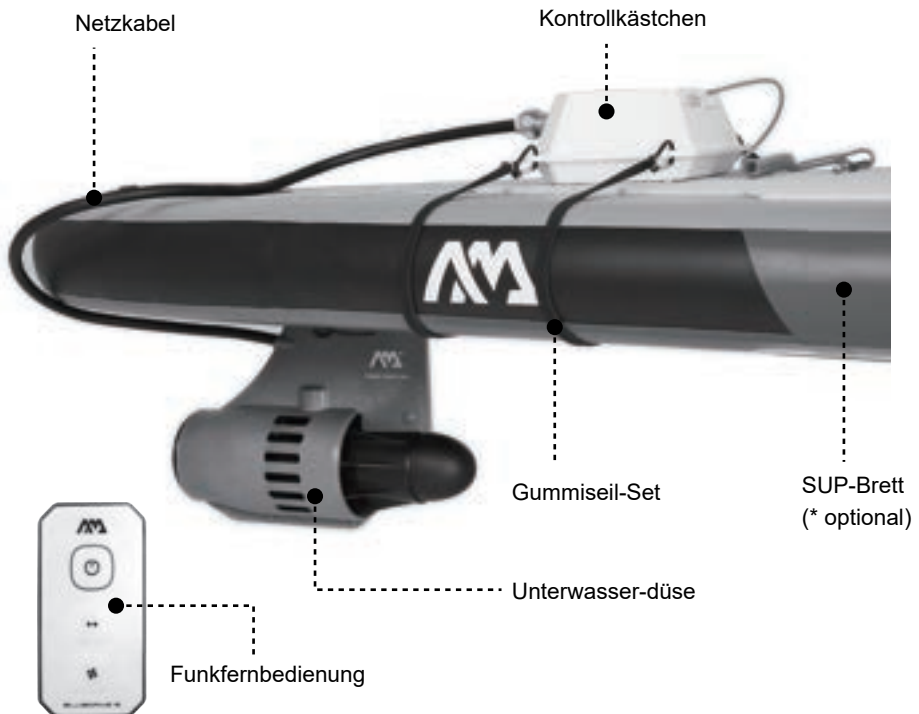
**Anwendungsbereich des Produkts: Jegliche Arten von SUP-Boards, Kajaks oder Kanus mit Einschub-Finne am Finnenkasten. Die elektrische Power Fin liefert nur Leistung für die Fahrt in eine Richtung, Richtungsänderungen erfordern das Steuern durch den Paddler.**

## **SICHERHEITSHINWEIS**

1. Dieses Produkt liefert nur Strom für Freizeitprodukte im Wasser und ist ausschließlich auf den Einsatz im Wasser begrenzt. Der Gebrauch für andere Verwendungszwecke ist verboten.
2. Bei Verwendung des Produkts, ist es erforderlich, die Vorsichtsmaßnahmen von schwimmenden Produkten zu beachten sowie die Vorschriften für örtliche Gewässer sowie die speziellen Vorsichtsmaßnahmen für die Nutzung.
3. Bei Verwendung des Produkts, muss eine ausreichende Wassertiefe für den Einsatz der schwimmenden Objekte mit Power Fin beachtet werden, so dass diese nicht beschädigt wird.
4. Bei Verwendung des Produkts, ist es erforderlich, dass jeder Passagier eine Rettungsweste trägt, genehmigt von der erforderlichen Behörde (z. B. Küstenwache) oder ähnlichen Schwimmhilfen und Rudern.
5. Bei Verwendung des Produkts, muss eine ordnungsgemäße Not-Aus-Leine am Knöchel des Benutzers befestigt werden.
6. Verwenden Sie diese Power Fin nicht in schnell fließenden Flüssen, Gewässern mit starken Strömungen oder in Gezeitenströmungen bzw. plötzlichen Sturmfluten.
7. Das Produkt nicht nach der Einnahme von Medikamenten oder Alkohol verwenden.
8. Dieses Gerät kann von Kindern ab 8 Jahren sowie von Personen mit verminderten physischen, sensorischen oder mentalen Fähigkeiten oder mangelnder Erfahrung und/oder Kenntnissen benutzt werden, wenn diese beaufsichtigt oder bezüglich des sicheren Gebrauchs des Gerätes unterwiesen wurden und die daraus resultierenden Gefahren verstanden haben. Kinder dürfen nicht mit dem Gerät spielen. Die Reinigung und Benutzerwartung darf nicht von Kindern ohne Aufsicht erfolgen.
9. Dieses Produkt kann nicht von Kindern unter 8 Jahren verwendet werden; Kinder müssen beaufsichtigt werden, um sicherzustellen, dass sie nicht mit dem Gerät spielen.
10. Das Produkt nicht modifizieren oder in irgendeiner Weise Fremtteile anbringen. Falls Teile beschädigt werden, wenden Sie sich bitte an das Kundenservice-Center.
11. Falls Algen oder Angelschnur sich im Propeller verfangen, oder dieser im Schlamm stecken bleibt, bitte das Gerät sofort ausschalten und die Blockade beseitigen.
12. Während der Benutzung und beim Kontakt mit Steinen oder Hindernissen im Wasser, führen Sie eine rechtzeitige Richtungsänderung aus, um den Fall ins Wasser zu vermeiden.
13. Waschen Sie die Power Fin und dessen Motor mit klarem Wasser; und bringen Sie ihn nicht in Kontakt mit Meerwasser oder Salzwasser, um Schäden am Motor zu vermeiden.
14. Dieses Produkt verwendet Li-Ionen-Batterien. Befolgen Sie stets die Batterieanweisungen und speziellen Anforderungen.
15. Der Akku muss aus dem Gerät entnommen werden, bevor es verschrottet werden kann.
16. Das Gerät muss vor der Entnahme des Akkus vom Versorgungsnetz abgetrennt werden.
17. Die Batterie muss entsprechend den örtlichen Bestimmungen entsorgt werden.
18. Laden oder verwenden Sie niemals den Akku während eines Gewitters und bei Blitzschlag.
19. Alle Anschlüsse müssen vor jedem Gebrauch auf ordnungsgemäßen Sitz überprüft werden.

20. Überprüfen Sie vor jedem Gebrauch, ob eine ausreichende Akkuladung vorhanden ist.
21. Die Power Fin darf nur an SELV (Sicherheitskleinspannung) angeschlossen werden und kann nur mit bestimmten Batterien, Ladegeräten und Fernbedienungen betrieben werden. Falls der Benutzer solche ersetzen muss, kontaktieren Sie bitte das ausgewiesene Kundenservice-Center.
22. Der elektrische Ladeanschluss des Kontrollkästchens sollte entweder mit der Power Fin oder einem Ladegerät verbunden sein, andernfalls decken Sie diesen ab, um Kurzschlusschäden durch andere Metalle oder Feuchtigkeit zu verhindern.
23. Wenn die Fernbedienung und das Ladegerät nicht für längere Zeit verwendet werden, ist es notwendig, die Stromversorgung zu trennen.
24. Wenn das Gerät nicht in Gebrauch ist, sollte es bei einer Temperatur von  $-15^{\circ}$  bis  $45^{\circ}$  aufbewahrt und keiner direkten Sonneneinstrahlung ausgesetzt werden.
25. Falls die Power Fin verschrottet wird oder durch eine neuen ersetzt werden muss, ist es erforderlich, die Recyclingvorschriften zu beachten oder die Power Fin an den Händler zurückzugeben.
26.  Das ist ein Gerät der Schutzklasse III, es darf nur von Sicherheitskleinspannung versorgt werden.
27. Das Gerät kann nur mit bestimmten Ladegeräten vom Originalhersteller verwendet werden.

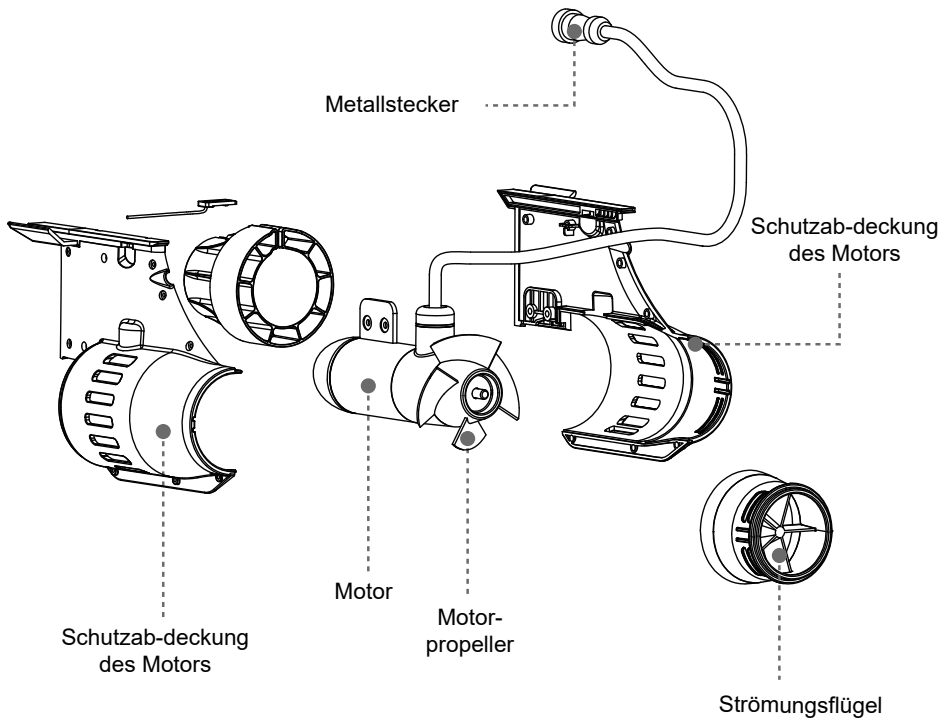
**The major components include:**







- \* BLUEDRIVE S Power Fin ist kompatibel mit allen AM iSUP Boards (aufblasbar) und Kajaks mit Finnenkasten für Einschubfinnen.
- \* Mit einem US-Box-Finnenadapter (optional) kann die Power Fin auch an allen Wasserfahrzeugen mit einem US-Box-Finnensystem verwendet werden.

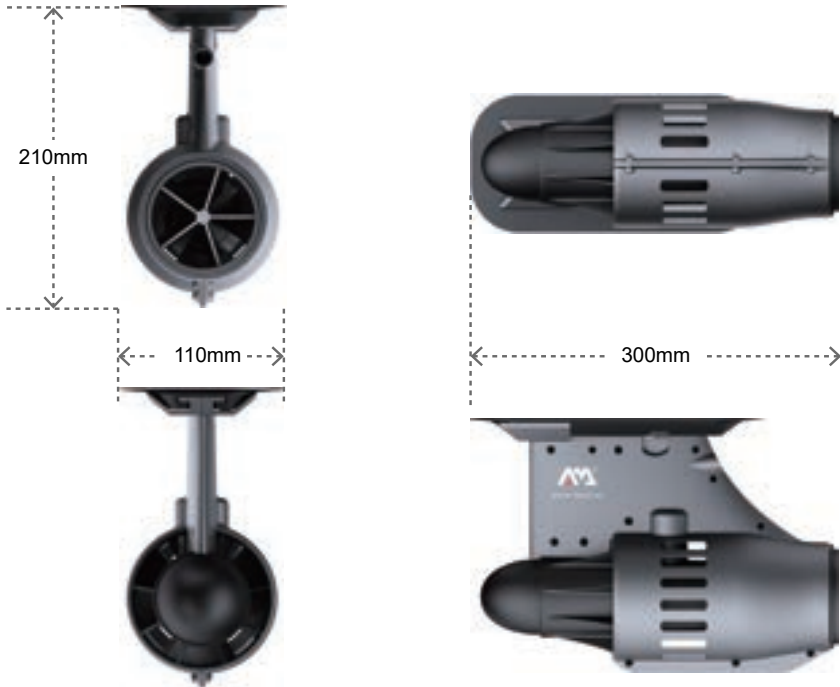
### **PRODUKTDETAILS DER POWER FIN:**



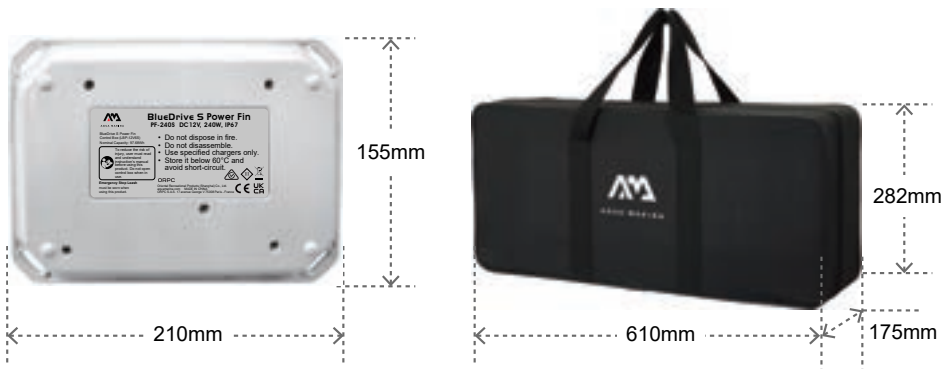
## PARAMETER

<p><b>Unterwasserdüse</b></p>	<p><b>Motorleistung:</b> 12V DC, 240W  <b>Fahrgeschwindigkeit:</b> 4-6 km/h</p> <ul style="list-style-type: none"> <li>• Niedriger Gang  : Max. Höchstgeschwindigkeit 4 km/h</li> <li>• Hoher Gang  : Max. Höchstgeschwindigkeit 6 km/h</li> </ul> <p><b>Betriebsdauer:</b> 1 Std. niedriger Gang, 0,5 Std. hoher Gang  <b>Schutzhüllenmaterial:</b> ABS  <b>Abmessungen:</b> 300 x 210 x 110 mm (11,8 x 8,3 x 4,3 Zoll)  <b>Gewicht:</b> 2,5 kg (5,5 lb)</p>
<p><b>Kontrollkästchen</b></p>	<p><b>Akkupack:</b> 11,1 V DC, 8,8 Ah / 97,68 Wh Spezieller Lithium-Ionen-Akku für Bluedrive S Power Fin  <b>Material:</b> IP67, flammhemmendes ABS  <b>Akkulebensdauer:</b> ≥ 300 Zyklen  <b>Abmessungen:</b> 210 x 155 x 75mm (8,3 x 6,1 x 3 Zoll)  <b>Nettogewicht:</b> 1,25 kg (5,5 lb)</p> <p>Mit Akku, Schaltplatte und 2-in-1-Magnetschalter (sowohl Betriebsschalter und Not-Aus-Schalter)</p>
<p><b>Ladegerät</b></p>	<p><b>Eingang:</b> 230 V / 50 Hz  <b>Ausgang:</b> 12,6 V DC, 5 A</p> <p>Die vollständige Ladezeit des Akkus beträgt 2-3 Stunden</p>
<p><b>Benutzeroberfläche</b></p>	<p>Metalloberfläche, IP67 wasserdichte Steckverbindung</p>
<p><b>Fernbedienung</b></p>	<p><b>Betriebsfrequenzbereich:</b> 2400~2483.5 MHz  <b>Hochfrequenz-Sendeleistung:</b> 36 mW  <b>Maximale Ausgangsleistung:</b> 6.18 dBm (E.I.R.P)</p>
<p><b>Abmessung (Verpackung)</b></p>	<p>62 x 29,5 x 18,5 cm (24,4 x 11,6 x 7,3 Zoll)</p>
<p><b>Verpackungsgewicht / Nettogewicht</b></p>	<p>5,9 kg (13 lb) /  4,25 kg (9,4 lb) /</p>

## **GESAMTABMESSUNGEN:**



**Abbildung der Gesamtabmessungen der Power Fin,  
300 x 210 x 110 mm (11,8 x 8,3 x 4,3 Zoll)**



**Abbildung der Gesamtabmessungen des  
Kontrollkästchen, 210 x 155 x 75 mm  
(8,3 x 6,1 x 3 Zoll)**

**Abbildung der Gesamtabmessungen der  
Tragetasche, 610 x 282 x 175 mm  
(24 x 11,1 x 6,9 Zoll)**

## Verpackungsinhalt

Nr.	Bezeichnung der Komponente	Abbildung	Menge/ Einheit	Anmerkung
1	Unterwasserdüse		1 Set	Mit Netzkabel, Stecker, Finnenbasis und Einsteck-Stift
2	Kontrollkästchen (einschließlich Li-Ionen-Akku)		1 Set	Mit Akku, Schaltplatte und 2-in-1-Magnetschalter (sowohl Leistungsschalter und Not-Aus-Schalter)
3	Schnallen am Elastikseil		1 Set	Schwarzes Elastikseil, 88 cm mit Karabiner
4	Fernbedienung		1 Set	Mit Armbindenhalterung, Fernbedienung und Batterie (CR 2025 / CR 2032, 3V)
5	Ladegerät		1 Set	Abbildung dargestellt: Europa-Standard (* Der tatsächliche Ladestecker kann je nach regionalem Standard variieren.)
6	Bedienungsanleitung		1 Kopie	Europäischer Standard



# INSTALLATION UND BEDIENUNG

1. Öffnen Sie die Verpackung und prüfen Sie, ob die Komponenten vollständig enthalten sind
2. Installieren Sie die Power Fin in das ISUP (wie in der Abb. dargestellt)
  - 2.1 Setzen Sie das Unterteil der Power Fin in den Finnenkasten des ISUP ein;
  - 2.2 Setzen Sie den Einschub des Einsteck-Stifts in den Finnenkasten;



2.1



2.2

- \* Mit einem US-Box-Finnenadapter kann die Power Fin ebenfalls an allen Wasserfahrzeugen mit einem US-Box-Finnensystem verwendet werden.

### 3. Installieren des Kontrollkästchen

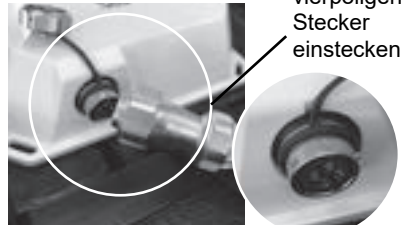
Prüfen Sie zunächst, ob der Akku des Kontrollkästchen voll ist (siehe für Einzelheiten das Handbuch für den Magnetschalter). Wenn keine Akkuladung oder ein unzureichender Ladezustand vorliegt, laden Sie bitte den Akku gemäß der folgenden Schritte am Kontrollkästchen auf (wie in den folgenden Abb. dargestellt).



a



b



c



- a. Um den Akku aufzuladen, stecken Sie zunächst das Ladegerätekabel in den Ladeanschluss am Ladegerät.
- b. Schrauben Sie die Metallmutter auf der Rückseite des Kontrollkästchen gegen den Uhrzeigersinn ab;
- c. Schließen Sie den Metallstecker des Ladegeräts am entsprechenden Anschluss am Kontrollkästchen an (bitte beachten Sie die Richtung der entsprechenden konvexen und konkaven Position) und ziehen die Mutter an;
- d. Stecken Sie den Netzstecker des Ladegeräts in die Steckdose.
- e. Setzen Sie den Magnetschalter des Kontrollkästchen in die richtige Position. Die Anzeige am Ladegerät leuchtet bei Ausführung des Ladevorgangs rot auf. Hinweis: Der Akku des Kontrollkästchen kann nicht aufgeladen werden, wenn keine Verbindung über den Magnetschalter hergestellt ist.
- f. Die Anzeige des Ladegeräts leuchtet grün, sobald der Kontrollkasten vollständig aufgeladen ist. Nach dem Ladevorgang, ziehen Sie den Netzstecker und das Ladegerät ab und bewahren Sie die Teile für die nächste Ladung ordnungsgemäß auf.

- 3.1 Setzen Sie den Kontrollkästchen am ISUP ein, mit dem Metallstecker in Richtung Heck des ISUP;
- 3.2 Befestigen Sie den Akku mit dem elastischen Seil um das Unterteil des Boards und haken diese an den 4 Ecken des Kontrollkästchen ein.



4. Anschluss zwischen dem Power Fin und dem Kontrollkästchen: Schrauben Sie den Deckel samt Mutter vom Metallsteckeranschluss am Kontrollkästchen ab und setzen Sie, ordnungsgemäß und in korrekter Ausrichtung, den Metallstecker des Kabelendes in den Metallsteckeranschluss am Kontrollkästchen; ziehen Sie die Metallmutter wieder an.



## 5. Fernbedienung

- 5.1 Ziehen Sie bitte vor dem ersten Gebrauch den Isolationsstreifen (transparente Folie) aus der Fernbedienung.
- 5.2 Einsetzen der Fernbedienung in die wasserdichte Hülle und Befestigung am Arm (wie in der folgenden Abb. dargestellt)
- 5.3 Hinweis: Für die Fernbedienung beträgt der effektive Bedienabstand unter 10 Meter.






5.1



5.2

### 5.4 Bedienung der Fernbedienung:

- a.  : Inbetriebnahme und Einstellung des niedrigen Gangs
- b.  : Inbetriebnahme und Einstellung des hohen Gangs
- c.  : Stopp (Hinweis: Das ist nicht die „Start“-Taste)




Der Benutzer kann die Fernbedienung für ISUP- & Kayak-Produkte verwenden.



### 5.5 Opération de couplage

In den meisten Fällen ist kein Pairing erforderlich.

Falls mehr als 2 Geräte vorhanden sind, folgen Sie bitte der unten stehenden Pairing-Anweisung:

- a. Setzen Sie den Magnetschalter des Kontrollkästchen in die richtige Position;
- b. Drücken Sie gleichzeitig diese    3 Tasten auf der Fernbedienung, bis die Anzeigeleuchte eingeschaltet wird und in den Kopplungsmodus eintritt;
- c. Nach erfolgreichem Pairing blinkt die Kontrollleuchte 3-mal auf und die Fernbedienung kann regulär verwendet werden.

## 6. Magnetschalter und Magnetschalterkabel

6.1 Das Magnetschalter ist ein 2-in-1-Design und fungiert sowohl als Leistungsschalter als auch als Not-Aus-Schalter.

6.2 Für den Standby-Modus, setzen Sie den Magnetschalter in die korrekte Position am Batteriekasten und die Anzeigelampe blinkt für 5-mal blau auf und wechselt zur konstanten Anzeige (blau), um den verbleibenden Akkustand anzuzeigen. Der ungefähr verbleibende Akkustand wird durch die Anzahl der Punkte angegeben: 4 Punkte: nahezu 100 %; 3 Punkte: nahezu 75 %; usw.

6.3 Zum Abschalten des Akkus, ziehen Sie den Magnetschalter direkt heraus.

6.4 Bringen Sie stets vor jedem Gebrauch die Sicherheitsleine am Magnetschalterkabel an. Falls im Notfall die rote Zugschnur aus dem Batteriekasten entfernt wird, wird der Motor zur Vermeidung jeglicher Gefahr sofort gestoppt.



6.2

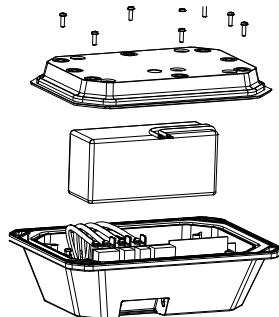
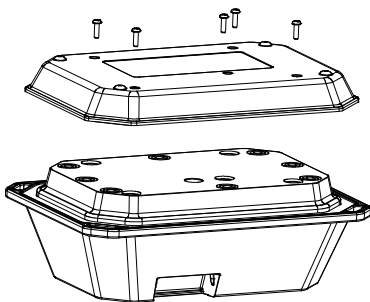


6.4

## 7. Zur Entnahme des Li-Ionen-Akkus

7.1 Der Akku muss aus dem Gerät entnommen werden, bevor es entsorgt werden kann.

7.2 Um den Lithium-Ionen-Akku zu entnehmen, entfernen Sie zunächst die 5 Schrauben vom Unterteil. Entfernen Sie dann die 8 Schrauben vom hinteren Gehäuse und der Li-Ionen-Akkupack kann leicht vom Kontrollkästchensepariert werden.



## 8. Richtlinien Für Die Lagerung Des Kontrollkästchen

8.1 Vermeiden Sie ein übermäßiges Entladen des Akkus.

- a. Laden Sie den Akku nach jeder Benutzung auf.
- b. Laden Sie den Akku alle sechs Monate auf, auch wenn er nicht verwendet wurde.
- c. Ein übermäßiges Entladen während der Lagerung kann den Akku beschädigen und seine Lebensdauer verringern.

8.2 Lagertemperatur

Die empfohlene Lagertemperatur beträgt 18 - 25 °C.



8.3 Akkuwechsel

Für eine gute Akkuleistung wird empfohlen, das Kontrollkästchen alle 2-3 Jahre zu ersetzen.

## WARTUNG

Wartungsteil	Zeitintervall	Wartungsablauf
Fernbedienung	Jeden Monat	Falls das Gerät für längere Zeit nicht benutzt wird, bitte den Akku entnehmen;
Unterwasserdüse	Nach jeder Verwendung	Entfernen Sie Algen und Angelschnüre und verwenden Sie frisches Wasser, um die Düse zu waschen und zu trocknen.
Kontrollkästchen	Nach jeder Verwendung	Mit einem Lappen abwischen und trocknen lassen
Kontrollkästchen	Immer beachten	Niemals den Kontrollkästchen öffnen. Bitte einen lokalen Händler oder ein Kundenservice-Center für die Wartung der Batterie kontaktieren.
Die Rückseite des Propellers	Nach jeder Verwendung	Propeller demontieren, um zu prüfen, ob sich Angelschnur, Algen oder andere Rückstände im Propeller oder dem Antrieb verfangen haben, was mit einem Leistungsabfall einhergeht.
Verbindungsanschlüsse von Geräten	Vor und nach dem Gebrauch	Prüfen, ob Kratzer auf dem Draht vorhanden sind, bei Bedarf bitte das Kundenservice-Center für den Austausch kontaktieren; Falls Wasser oder andere Fremdkörper vorhanden sind, diese beseitigen.

## ENTSORGUNG UND UMWELTSCHUTZ



Dieses Symbol bedeutet, dass dieses Gerät in sämtlichen Mitgliedsstaaten der EU nicht zusammen mit anderen Haushaltsabfällen entsorgt werden darf. Um mögliche Schäden für die Umwelt oder die menschliche Gesundheit durch unkontrollierte Müllbeseitigung zu verhindern, recyceln Sie es verantwortungsbewusst, um die nachhaltige Wiederverwertung von stofflichen Ressourcen zu fördern. Sie können Informationen zur Entsorgung von Ihren lokalen Behörden beziehen.

Bitte geben Sie das Altgerät bei den eingerichteten Rücknahmestellen (falls vorhanden) ab oder wenden Sie sich an den Händler, bei dem Sie das Gerät gekauft haben. Diese können das Produkt zur umweltgerechten Entsorgung entgegennehmen.

## FEHLERBEHEBUNG

Nr.	Problembeschreibung	Abhilfe
1	Die Fernbedienung funktioniert nicht	<ol style="list-style-type: none"> <li>1. Prüfen, ob der Akku ausreichend und ordnungsgemäß geladen ist</li> <li>2. Prüfen, ob der Isolationsstreifen entfernt wurde.</li> </ol>
2	Das Ladegerät funktioniert nicht	Prüfen, ob der Anschluss des Metallsteckers ordnungsgemäß sitzt.
3	Der Antrieb funktioniert nicht	<ol style="list-style-type: none"> <li>1. Prüfen, ob der Metallstecker zwischen Motor und dem Kontrollkästchen ordnungsgemäß sitzt;</li> <li>2. Prüfen, ob der Magnetschalter in Position eingesetzt ist.</li> </ol>
4	Der Propellerbetrieb ist abnormal	<ol style="list-style-type: none"> <li>1. Prüfen, ob sich Angelschnur, Algen oder andere Rückstände im Propeller verfangen haben, wenn ja, bitte reinigen;</li> <li>2. Prüfen, ob der Akku des Kontrollkästchen aufgeladen ist;</li> <li>3. Prüfen der Anschlüsse des Kontrollkästchen um sicherzustellen, dass die Verbindung ordnungsgemäß und frei von Schmutz ist;</li> </ol>
5	Der Antrieb erfolgt mit starker Geräusentwicklung und heftigen Vibrationen.	<ol style="list-style-type: none"> <li>1. Prüfen, ob sich Angelschnur, Algen oder andere Rückstände im Propeller verfangen haben, wenn ja, bitte reinigen;</li> <li>2. Prüfen, ob der Propeller beschädigt ist, wenn ja, bitte das Kundendienst-Center kontaktieren;</li> <li>3. Prüfen, ob sich die Schraube löst, wenn ja, bitte das Kundendienst-Center kontaktieren;</li> <li>4. Stromversorgung trennen und Propeller anschubsen um zu prüfen, ob der Propeller sich ungehindert dreht; Jedes Hindernis oder jede Blockierung bedeutet, dass sich ein Fremdkörper im Motor befindet, bitte das Kundendienst-Center kontaktieren;</li> </ol>

## GARANTIE UND KONTAKTINFORMATION DES KUNDENDIENSTES:

Die Produktgarantie beträgt 1 Jahr; der Umfang der Garantieleistung erstreckt sich nicht auf Modifikationen, die Verwendung des Produkts entgegen dem Verwendungszweck bzw. irgendeinen durch Fehlgebrauch verursachten Schaden, gemäß dem Handbuch.



AM Offizielle Website



AM HOW-TO Anleitung



AM Servicecenter-Liste





AQUA MARINA

ES



# BLUEDRIVE S POWER FIN

## Manual de usuario

PF-240S



### **ADVERTENCIA**

Por su propia seguridad y la de su equipo, asegúrese de tomar las siguientes precauciones. El incumplimiento con los avisos, advertencias e instrucciones puede provocar daños en propiedades, lesiones graves o incluso la muerte. Conserve el manual y léalo atentamente antes de usar el producto; si se perdiera el manual, póngase en contacto con nuestro centro de servicios posventa.


# ÍNDICE

- I. ADVERTENCIA DE SEGURIDAD
- II. COMPONENTES PRINCIPALES, PARÁMETROS Y  
DIMENSIONES GENERALES
- III. LISTA DE EMBALAJE
- IV. INSTALACIÓN E INSTRUCCIONES
- V. MANTENIMIENTO
- VI. ORIENTACIÓN EN CASO DE PROBLEMAS
- VII. GARANTÍA E INFORMACIÓN DE CONTACTO DEL SERVICIO  
DE POSVENTA

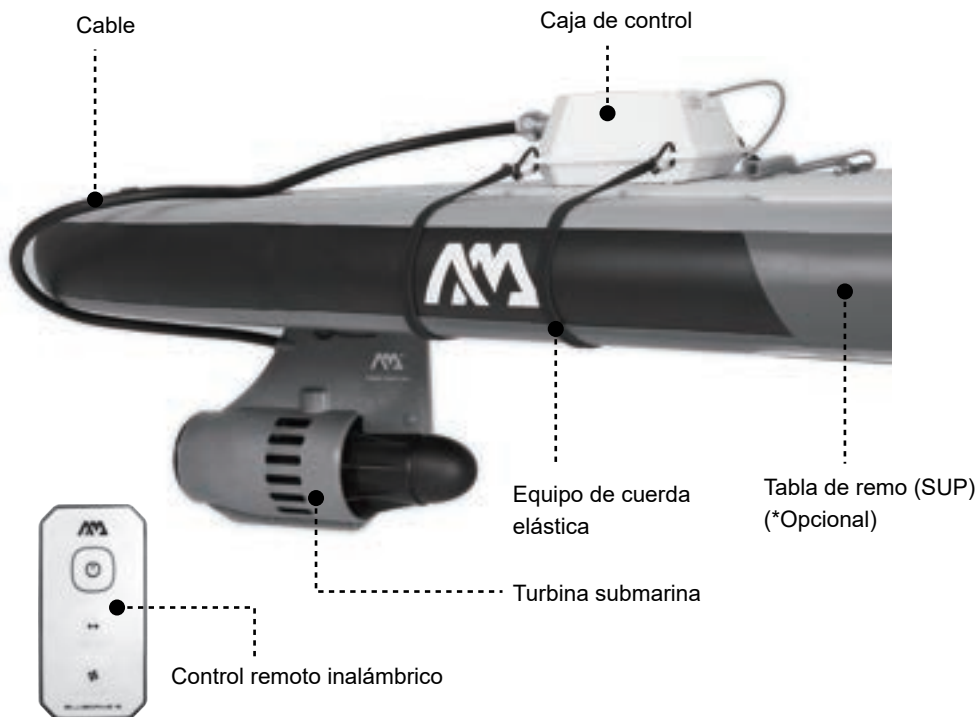
**Alcance de aplicación del producto: todo tipo de tabla de remo (SUP), kayak o canoa con base para aleta deslizable. La aleta eléctrica brinda únicamente su energía en un sentido, para que cambie de sentido es necesario que el remero la opere.**

## **ADVERTENCIA DE SEGURIDAD**

1. Este producto está pensado únicamente para brindar energía para productos acuáticos de diversión y asimismo está restringido para ser utilizado exclusivamente en el agua. Se prohíbe su uso para otros fines.
2. Al utilizar el producto, es necesario considerar ciertas precauciones, tales como el uso de flotadores, así como tener en cuenta las reglamentaciones en aguas locales y el obediencia de las señales.
3. Al usar el producto, resulta necesario considerar si la profundidad de las aguas es suficiente para que la aleta eléctrica flote, a fin de que la misma no sea dañada.
4. Al hacer uso del producto, es necesario que cada pasajero lleve puesto un salvavidas aprobado por CGA (la guardia costera) o bien un dispositivo similar además de los remos.
5. Para utilizar el producto, primero se debe atar del tobillo del usuario una correa de detención de emergencia que sea apropiada.
6. No utilice esta aleta eléctrica en rápidos, corrientes fuertes ni ante la ocurrencia repentina de una tormenta o marea.
7. No utilice el producto tras haber consumido medicamentos o alcohol.
8. Este aparato puede ser utilizado por niños de 8 años en adelante y personas con capacidades mentales, sensoriales o físicas reducidas o con falta de experiencia y conocimiento, siempre y cuando se les haya suministrado supervisión e instrucción con respecto al uso seguro del aparato y a los peligros envueltos. No se debe permitir a ningún niño que juegue con el aparato. Ningún niño deberá realizar limpieza o mantenimiento del aparato sin la debida supervisión.
9. Este producto no puede ser utilizado por niños menores de 8 años; y todo niño debe ser supervisado a fin de asegurarse de que no juegue con el mismo.
10. No modifique el producto ni añada partes de manera alguna. Si laguna parte estuviera dañada, póngase en contacto con el centro de servicios posventa.
11. Si se enredaran algas o un sedal en la hélice, o si la misma quedara atrapada en el barro, apague de inmediato y limpie.
12. Si, mientras utiliza el dispositivo, el mismo tocara con cualquier piedra u obstáculo bajo el agua, gire oportunamente a fin de evitar caer al agua.
13. Lave la aleta eléctrica y su motor con agua fresca; y no la deposite en agua de mar o agua salada a fin de evitar dañar el motor.
14. Este producto viene con baterías de litio-ion, siga siempre las principios de uso de la batería y todos los asuntos que requieran de su atención.
15. Antes de desguazar, retire la batería del equipo.
16. Antes de retirar la batería, desconecte al equipo de la red de suministro eléctrico.
17. Deberá obedecer todas las reglamentaciones locales al deshacerse de la batería.
18. No use ni cambie nunca el producto durante tormentas eléctricas o situación meteorológica con rayos.
19. Antes de usar, cada vez, es necesario comprobar que todas las conexiones estén firmes.
20. Antes de usar, cada vez, compruebe que tenga suficiente corriente.

21. Se brinda la aleta eléctrica únicamente con "separada extra-bajo voltaje" (SELV, por sus siglas en inglés), se le puede aplicar únicamente con las baterías, los cargadores y los controles remotos especificados. En caso que el usuario necesite un reemplazo, deberá ponerse en contacto con el centro de servicios posventa.
22. El puerto de carga eléctrica del caja de control debe estar conectado con la aleta eléctrica bien con el cargador, de lo contrario debe cubrir con su tapa para evitar daños debidos a cortocircuitos causados por otros metales o por la humedad.
23. Cuando no se vayan a utilizar el control remoto y el cargador por un período prolongado, es necesario desconectar la fuente de alimentación.
24. Cuando no se le esté usando, debe ser almacenado a una temperatura de  $-15^{\circ}$  ~  $45^{\circ}$  y evitar la exposición directa a la luz solar.
25. Si va a desguazar la aleta eléctrica o si necesita reemplazarla por otra nueva, será necesario que siga los principios de reciclaje o bien que la retorne al distribuidor.
26.  Este equipo es de clase III. Únicamente se le puede suministrar como "separada extra-bajo voltaje".
27. Únicamente puede usar el equipo con aquellos cargadores especificados por el fabricante original.

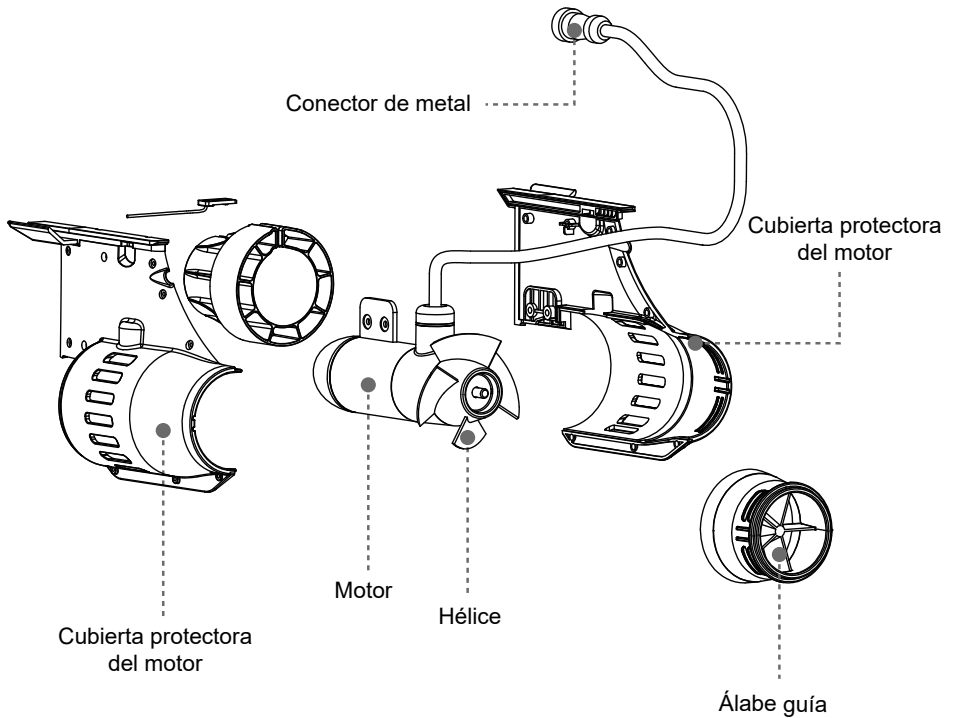
**Los componentes principales son:**







- \* La aleta eléctrica BLUEDRIVE S es compatible con todas las tablas de remo AM iSUP y los kayaks con caja para aleta deslizable.
- \* Con un adaptador para aleta US (opcional), la aleta podrá ser utilizada en cualquier vehículo acuático que tenga caja para aleta US ("US FIN box").

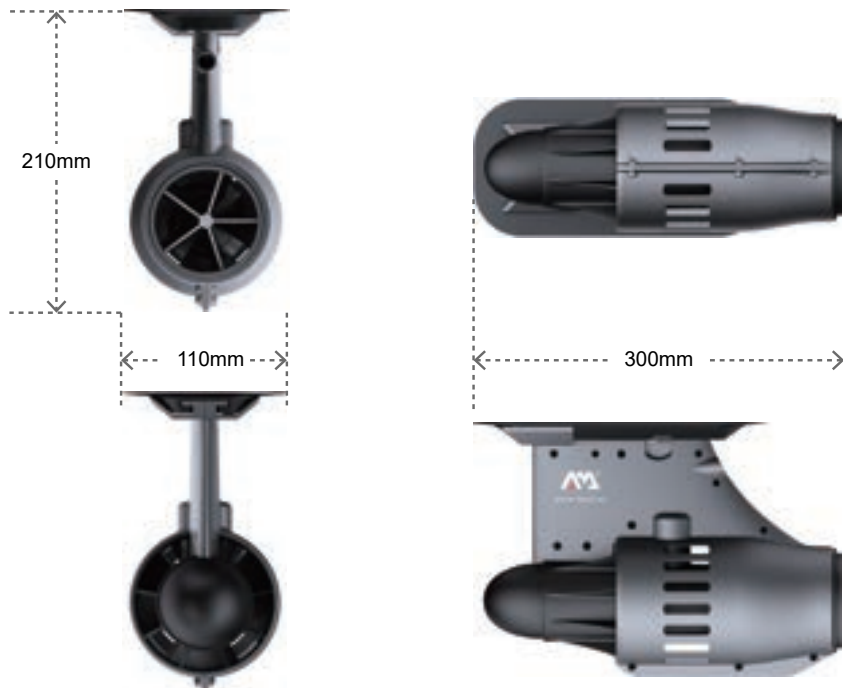
### **DETALLES DEL PRODUCTO "ALETA ELÉCTRICA":**



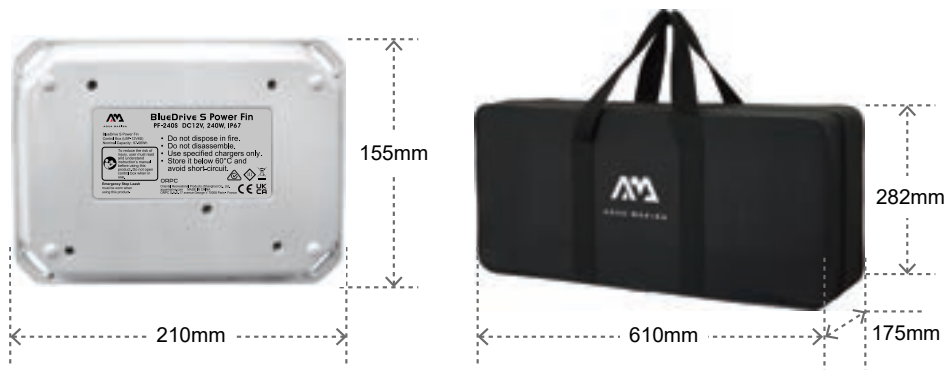
## PARÁMETROS

<p><b>Turbina submarina</b></p>	<p><b>Fuerza de motor:</b> 12V DC, 240W</p> <p><b>Velocidad de operación:</b> 4-6 km/h</p> <ul style="list-style-type: none"> <li>• Marcha baja  : velocidad máx. 4 km/h</li> <li>• Marcha alta  : velocidad máx. 6 km/h</li> </ul> <p><b>Duración:</b> 1h en marcha baja, 0,5 h en marcha alta</p> <p><b>Material de la cubierta protectora:</b> ABS</p> <p><b>Dimensiones:</b> 300 x 210 x 110 mm (11,8" x 8,3" x 4,3")</p> <p><b>Peso:</b> 2,5 kg (5,5 lbs)</p>
<p><b>Caja de control</b></p>	<p><b>Batería recargable:</b> batería litio-ion 11,1 VDC, 8,8 Ah/97,68 Wh especial para aleta eléctrica BlueDrive S</p> <p><b>Material:</b> IP67, ABS resistente al fuego</p> <p><b>Vida útil de la batería:</b> ≥300 ciclos</p> <p><b>Dimensiones:</b> 210 x 155 x 75 mm (8,3" x 6,1" x 3")</p> <p><b>Peso neto:</b> 1,25 kg (2,8 lbs)</p> <p>Con batería recargable, placa de circuitos e interruptor magnético 2 en 1 (opera como interruptor de encendido así como de interruptor de detención de emergencia)</p>
<p><b>Cargador</b></p>	<p><b>Entrada:</b> 230 V / 50 Hz</p> <p><b>Salida:</b> 12,6 V 5 A CC</p> <p>El tiempo de carga completa de la batería es de 2~3 horas</p>
<p><b>Interfaz</b></p>	<p>Interfaz de conexión metálica de IP67 marino impermeable</p>
<p><b>Control remoto</b></p>	<p><b>Rango de frecuencia de operación:</b> 2400~2483.5 MHz</p> <p><b>Potencia de transmisión de radiofrecuencia:</b> 36 mW</p> <p><b>Potencia de salida máxima:</b> 6.18 dBm (E.I.R.P)</p>
<p><b>Dimensiones del embalaje:</b></p>	<p>62 x 29,5 x 18,5 cm (24,4" x 11,6" x 7,3")</p>
<p><b>Peso de embalaje / Peso neto:</b></p>	<p>5,9 kg (13 lbs) / 4,25 kg (9,4 lbs)</p>

## DIMENSIONES GENERALES:



**Ilustración de las dimensiones de la aleta eléctrica,  
300 x 210 x 110 mm (11,8" x 8,3" x 4,3")**



**Ilustración de las dimensiones de la  
caja de control,  
210 x 155 x 75 mm (8,3" x 6,1" x 3")**

**Ilustración de las dimensiones del bolso,  
610 x 282 x 175 mm (24" x 11,1" x 6,9")**

## LISTA DE EMBALAJE

N.º	Nombre de pieza	Foto	Cantidad / Unidad	Observaciones
1	Turbina submarina		1 equipo	Con cable, enchufe, base de aleta y perno a presión
2	Caja de control (incluye batería litio-ion)		1 equipo	Con batería recargable, placa de circuitos e interruptor magnético 2 en 1 (opera como interruptor de encendido así como de interruptor de detención de emergencia)
3	Manojo de cuerda elástica		1 equipo	Cuerda elástica negra de 88 cm de longitud con mosquetón
4	Control remoto		1 equipo	Con brazalete, control remoto y batería (CR 2025/CR 2032 3 V)
5	Cargador		1 equipo	Imagen mostrada: estándar de Europa (*El enchufe de carga real puede variar según los diferentes estándares regionales.)
6	Manual		1 copia	Estándar europeo



# INSTALACIÓN E INSTRUCCIONES

1. Abra la caja del embalaje y compruebe si todos los componentes están dentro.
2. Instale la aleta eléctrica en el ISUP (tal como se muestra en la foto)
  - 2.1 Inserte el lado inferior de la aleta eléctrica en la base para aleta del ISUP;
  - 2.2 Inserte el perno a presión deslizizable en la base para la aleta;



2.1



2.2

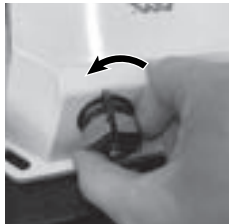
- \* Con un adaptador para aleta US, la aleta podrá ser utilizada en cualquier vehículo acuático que tenga caja para aleta US ("US FIN box").

### 3. Instale el caja de control

Primero, averigüe si la caja de control tiene electricidad (consulte el manual del interruptor magnético para obtener más detalles). Si no tiene o no tiene suficiente, cargue la batería durante los siguientes pasos (tal como se muestra en las siguientes fotos).



a



b



c

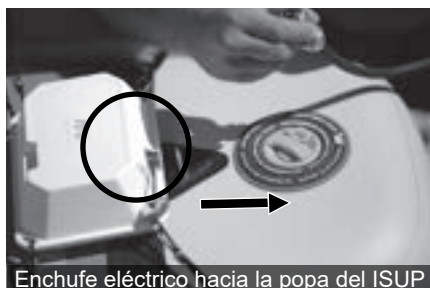
Conecte los cuatro contactos



- a. Inserte el cable de alimentación del cargador en el conector correspondiente del cargador para cargar el caja de control.
- b. Destornille la tuerca metálica de lado posterior del caja de control, girándola en sentido antihorario.
- c. Conecte el enchufe metálico del cargador en el conector correspondiente del caja de control (fíjese en la dirección convexa y cóncava de la posición correspondiente) y ajuste la tuerca;
- d. Conecte el enchufe eléctrico del cargador al suministro eléctrico de su red doméstica.
- e. Lleve el interruptor magnético a la posición correcta del caja de control. La luz indicadora del cargador se encenderá en rojo cuando esté cargando satisfactoriamente. Tenga en cuenta: NO se debe cargar el caja de control cuando el mismo no esté conectado con el interruptor magnético.
- f. Una vez la carga del caja de control se haya completado, la luz indicadora del cargador se tornará verde. Tras la carga, retire el enchufe eléctrico y consérvelo de manera adecuada para la siguiente carga.

3.1 Deposite el caja de control en el ISUP con el enchufe metálico mirando hacia la popa del ISUP;

3.2 Afirme la batería, ajustando las cuerdas elásticas a través de la parte inferior de la tabla a cada lado y engánchelas de las 4 esquinas del caja de control.



4. La conexión entre la aleta eléctrica y el caja de control: destornille la tapa de la tuerca del enchufe de metal en el caja de control e inserte el enchufe de metal en el extremo de la línea de alimentación de la aleta eléctrica dentro del conector del enchufe de metal correspondiente del caja de control en el sentido correcto y con la inserción adecuada; y luego ajuste la tuerca metálica.



## 5. Control remoto

5.1 Antes de utilizar por primera vez, retire la capa aislante (una lámina transparente) del control remoto.

5.2 Sujete el control remoto de la vestimenta impermeable y colóquelo en el brazo (tal como se muestra en la siguiente foto).

5.3 Nota: el rango de operación del control remoto es de unos 10 metros.






5.1



5.2

### 5.4 Funciones del control remoto:

-  : Encender y operar en marcha baja
-  : Encender y operar en marcha alta
-  : Detener (Nota: este no es un botón de "encendido".)




El usuario puede operar los productos tales como ISUP y kayaks de manera remota



### 5.5 Operación de emparejamiento

En la mayoría de los casos, el emparejamiento no es necesario.

Cuando hay más de 2 dispositivos, siga las instrucciones de emparejamiento indicadas a continuación:

- Lleve el interruptor magnético a la posición correcta del caja de control;
- Presione simultáneamente    estos 3 botones en el control remoto hasta que la luz indicadora se encienda para acceder al modo de emparejamiento;
- Una vez el emparejamiento se haya completado, la luz indicadora parpadeará 3 veces, tras lo cual se podrá usar el control remoto normalmente.

## 6. Cable del interruptor magnético

6.1 El cable del interruptor magnético consiste en un diseño 2 en 1, funcionando como interruptor de encendido y también como interruptor de detención de emergencia.

6.2 Para acceder al modo de espera, lleve el interruptor magnético a la posición correcta del caja de control, tras lo cual la luz indicadora parpadeará en color azul 5 veces y luego quedará fija en azul para mostrar la batería restante. Se muestra la batería restante aproximada por medio de la cantidad de puntos: 4 puntos si queda alrededor de 100 %, 3 puntos para cerca de 75 %, y así sucesivamente.

6.3 Para apagar la batería, directamente retire el interruptor magnético.

6.4 Antes de usar, cada vez, recuerde siempre conectar el cable del interruptor magnético con la correa de seguridad. Si el cable rojo se saliera del caja de control en una emergencia, el motor se detendrá de inmediato a fin de evitar cualquier peligro.



6.2

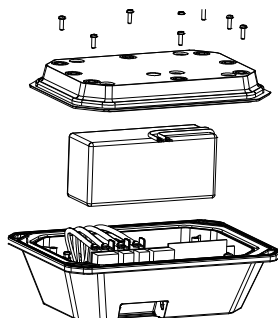
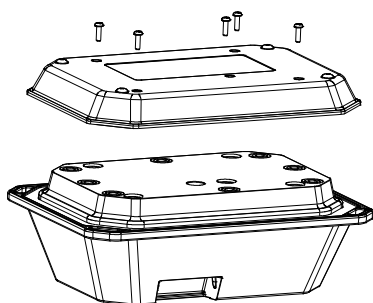


6.4

## 7. Cómo retirar la batería litio-ion

7.1 Antes de deshacerse de la batería, debe retirarla del equipo.

7.2 Para retirar la batería litio-ion, retire primero los 5 tornillos de la base. A continuación, retire 8 los tornillos de la tapa posterior, tras lo cual debería poder retirar la batería de litio-ion con facilidad del compartimiento respectivo.



## 8. Instrucciones de almacenamiento del caja de control

8.1 No descargar en exceso.

- a. Cargue la batería después de cada uso.
- b. Recargue la batería cada seis meses, incluso si no ha sido utilizada.
- c. La descarga excesiva durante el almacenamiento puede dañar la batería y acortar su vida útil.

8.2 Temperatura de almacenamiento

La temperatura de almacenamiento recomendada es de 18-25 C.



**18-25°C**

8.3 Reemplazo de la batería

Se recomienda reemplazar el caja de control cada 2-3 años para obtener un buen rendimiento de la batería.

## MANTENIMIENTO

Pieza	Intervalo	Proceso de mantenimiento
Control remoto	Todos los meses	Si no lo va a usar por un período prolongado, retire la pila;
Turbina submarina	Tras cada uso	Limpie las algas y las líneas de pesca, y use agua dulce para lavar el chorro y secar.
Caja de control	Tras cada uso	Limpie con un paño y seque
Caja de control	En cualquier caso	No abra el caja de control bajo ninguna circunstancia. Para realizar el mantenimiento de la batería, póngase en contacto con un distribuidor local o un centro de servicios posventa.
Lado posterior de la hélice	Tras cada uso	Desarme la hélice para comprobar si hay sedales, algas u otros residuos enredados en la hélice o el eje, con lo cual el funcionamiento del equipo se vería reducido.
Sección de conexiones del equipo	Antes y después de cada uso	Compruebe si hay algún corte en el cable, de ser así, póngase en contacto con el centro de servicios posventa para solicitar un reemplazo; Si hubiera alguna marca u otro cuerpo extraño adquirido bajo el agua, limpie.

## DESECHO Y PROTECCIÓN DEL MEDIO AMBIENTE



Esta marca indica que no debe desecharse este producto junto con otros residuos domésticos. A fin de prevenir posibles daños al medioambiente o a la salud humana debido al desecho indiscriminado de residuos, recicle de manera responsable para promover la reutilización de recursos materiales. Puede obtener información sobre el desecho con sus autoridades locales.

Para retornar su dispositivo usado, utilice el sistema local de recolección y retorno o bien póngase en contacto con la tienda local en la que adquirió el producto. En la misma, se encargarán de llevar este producto al lugar adecuado para que sea reciclado de manera que no dañe al medioambiente.

## ORIENTACIÓN EN CASO DE PROBLEMAS

N.º	Descripción del problema	Soluciones
1	El control remoto no funciona	<ol style="list-style-type: none"> <li>1. Compruebe que la batería esté en buen estado y tenga la carga adecuada</li> <li>2. Compruebe que se haya retirado la capa aislante.</li> </ol>
2	El cargador no funciona	Compruebe que la conexión del enchufe de aviación sea confiable.
3	El intensificador no funciona	<ol style="list-style-type: none"> <li>1. Compruebe que el enchufe de aviación entre el motor y el caja de control sea confiable;</li> <li>2. Compruebe que el interruptor magnético esté colocado.</li> </ol>
4	El funcionamiento de la hélice se interrumpe	<ol style="list-style-type: none"> <li>1. Compruebe si hay sedales, algas u otros residuos enredados en la hélice, de ser así, retírelos;</li> <li>2. Compruebe que el caja de control tenga electricidad;</li> <li>3. Inspeccione la conexión en el extremo del caja de control para asegurarse de que la conexión sea confiable y esté libre de restos;</li> </ol>
5	El intensificador produce un ruido fuerte y se sacude violentamente.	<ol style="list-style-type: none"> <li>1. Compruebe si hay sedales, algas u otros residuos enredados en la hélice, de ser así, retírelos;</li> <li>2. Compruebe el estado de la hélice, si se ve dañado, póngase en contacto con el centro de servicios posventa.</li> <li>3. Compruebe si se afloja algún tornillo, de ser así, póngase en contacto con el centro de servicios posventa;</li> <li>4. Desconecte la fuente de alimentación y agite la hélice a fin de comprobar si la misma puede girar libremente y sin problemas; cualquier obstáculo o bloqueo significa que hay un cuerpo extraño en el motor, en tal caso, póngase en contacto con el centro de servicios posventa;</li> </ol>

## GARANTÍA E INFORMACIÓN DE CONTACTO DEL SERVICIO DE POSVENTA

La garantía del producto es de 1 año; la garantía no cubre ninguna modificación o uso más allá del alcance del uso indicado del producto ni, asimismo, ningún daño causado por la operación incorrecta que no siga las instrucciones del presente manual.



Sitio oficial AM



Guía HOW-TO AM



Lista de centros de servicios AM