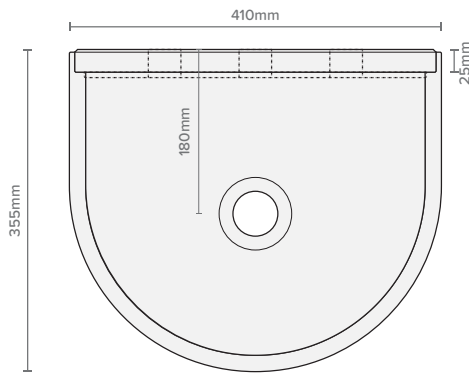




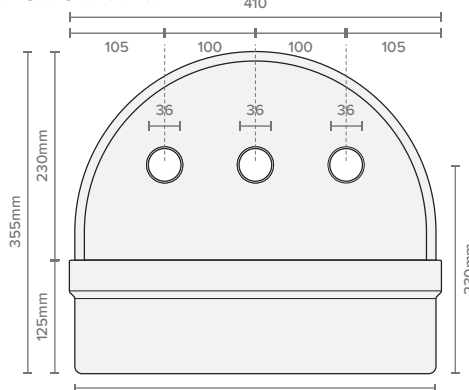
Betty

Our reimagining of the past. Betty is a curved, contemporary rethink of a mid century classic. Enjoy surface and wall mount options in 21 bespoke colours.

PLAN VIEW



SECTION VIEW



SPECIFICATIONS

MATERIAL	UHP Concrete
FINISH	Matte / Low Sheen
WEIGHT	15kg (33lbs)
DIMENSIONS	355mmL x 410mmW x 355mmH (14Lin x 16.14Win x 14Hin)
BOWL CAPACITY	9.5L (2.5gal)
TAP HOLE	Only available as pictured
OVERFLOW AVAILABLE	N/A
WASTE RQD	Suits a standard 32mm (1.25in) or 42mm (1.65in) waste. Waste not supplied by Nood Co.
WARRANTY	24 months
WASTE HOLE SIZE	46mm (1.8in)
WALL THICKNESS	20mm (0.8in)
OPTIONS	Surface Mount / Wall Hung
WALL HANG RQD	Mount after tiling - to timber frame or masonry wall.

All dimensions are estimate. We suggest waiting until receiving Nood basins before cutting holes in cabinetry items. Colours of concrete may vary slightly.

WALL HUNG BRACKET



8mm aluminium powdercoated. Bracket, fixings, adhesive provided with each wall hung basin purchased.

L297mm x W305mm x H122mm
(L11.6in x W12.0in x H4.8in)

THICKNESS

Wall Hang Bracket: 8mm (0.3in)
L Bracket: 3mm (0.1in)

WEIGHT

Wall Hang Bracket: 2.0kg (4.40lbs)
L Bracket: <250g (0.5lbs)

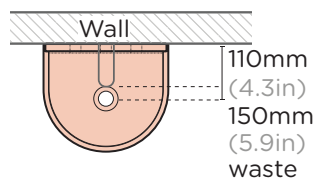
INSTALLATION

Timber Wall: tiny.cc/udkhlz
Masonry Wall: tiny.cc/Ogkhlz

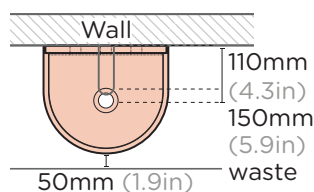
Basin to be mounted after tiling.

SUGGESTED TAP / FAUCET POSITION & LENGTH

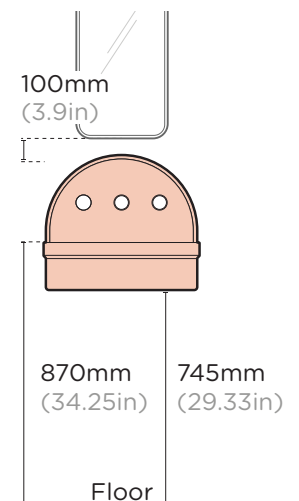
WALL HUNG BASIN



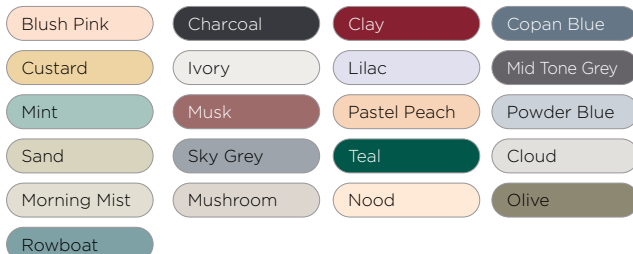
SURFACE MOUNTED BASIN



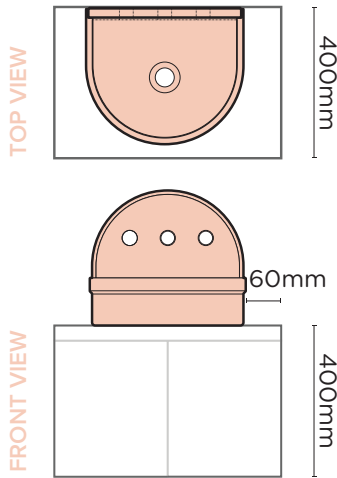
INSTALL HEIGHT



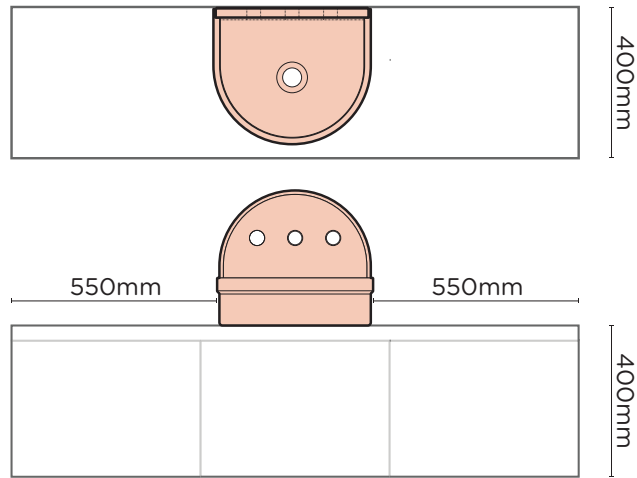
AVAILABLE COLOURS



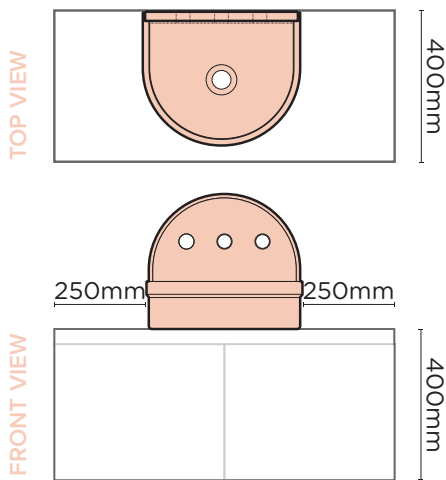
600 VANITY



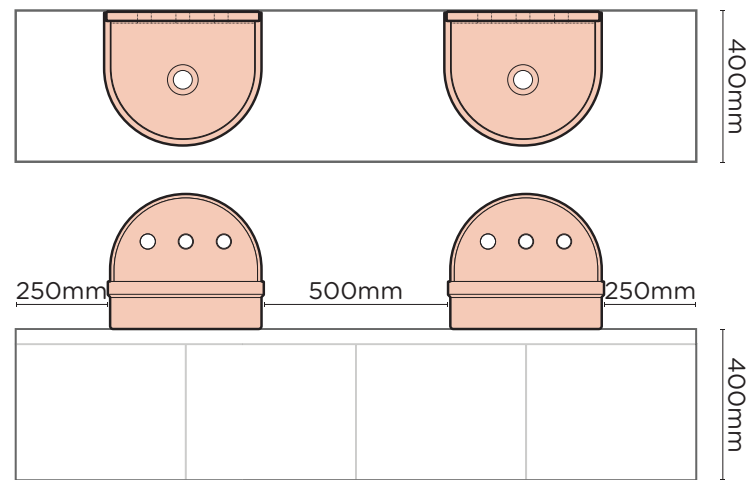
1500 VANITY



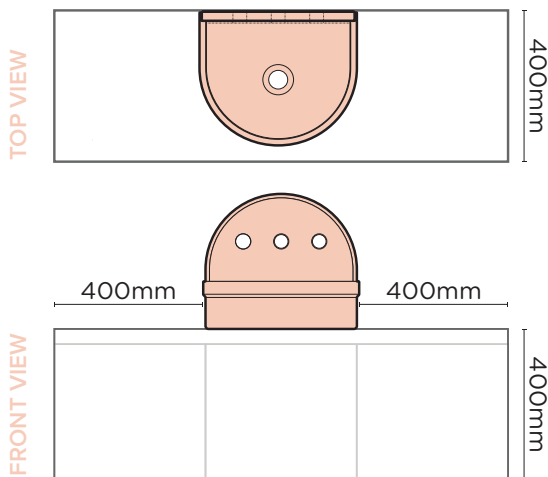
900 VANITY



1800 VANITY



1200 VANITY



2100 VANITY

