



The LifeSpan Standard

The Gold Standard in Office Safety.

Workplace active workstations include industry-exclusive technologies and design elements to promote the safest, most-effective work experiences available.

“All reports have been outstanding. Employees love to work and move as their bodies were designed to. We have an injury and illness rate that is 1/3 the national average and continues to drop year-over-year.”

Carlos Ramirez, Vice President of Safety & Health, Tesla

Participants exhibited greater energy, better sleep, less spine and joint pain, and improved balance and core strength.

Proven Safety

CDC & NOISH Determine Activity Workstations Safe

The CDC and National Institute for Occupation Safety and Health evaluated active workstations, specifically treadmill desks, approving them for safety, ergonomics, and potential hazards including noise, impact to surrounding work areas, and electrical requirements.

“We have not had any injuries related to the use of the walking workstations.”

CDC Office of Safety, Health, and Environment & National Institute for Occupational Safety and Health

“Look for a treadmill desk that offers a commercial grade treadmill that has a maximum speed of approximately 2mph with no incline adjustability and is quiet with a safety clip. The table should have an adjustable height...There should be an ability to accommodate adjustable monitor arms and work tools.”

Ebi Awoski, MD, MPH, Director, Veteran’s Health Administration

Cifuentes M, Qin J, Fulmer S, Bello A. Facilitators and Barriers to Using Treadmill Workstations Under Real Working Conditions: A Qualitative Study in Female Office Workers. Am J Health Promot. 2015.



Intelli-Guard

The Gold Standard in Office Safety.

By detecting each step taken on the walking surface, this patented technology automatically pauses the treadmill should a user step away without pressing Stop, ensuring both safety and energy efficiency.



Safe Speed

Preset Maximum Speed

A premier feature, LifeSpan treadmill desks can be set with maximum speeds of 2.0 MPH, assuring simple, distraction-free activity.

Slow Startup Speed

Motion begins at a gentle 0.4 mph, guaranteeing balance and control from the very first step.

Step Up Height

Workplace treadmills feature industry-best 4.6" step-up heights, eliminating trip hazards.

Side Rails

LifeSpan treadmills include enlarged side rails raised alongside the walking surface, letting users step safely on and off the moving belt.



Belt Marking

With Workplace motors operating at nearly-silent decibel levels, all walking surfaces include high-contrast markings to safely indicate belt movement.

Conservative Dimensions

Unobtrusive, low-profile hoods and smallest-available footprints reduce required floor space and obstacles.



Safety Key

Workplace treadmill desks are equipped with clothespin-modeled safety keys, capable of instantly cutting power to the walking surface at a moment's notice.



Zero Incline

Fixed, level walking surfaces ensure sound ergonomics and professional activity, elevating safety and efficiency.



Countdown and Safe Start

The Safety Start button must be held for a few seconds to activate. There is also a 3-second countdown alerting users to the start of motion.



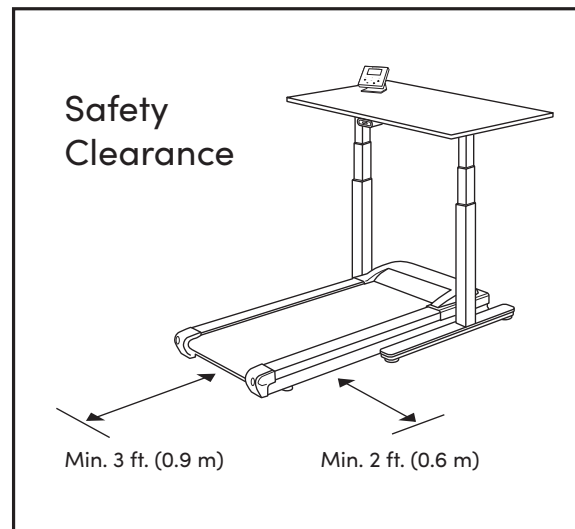
Internal Wiring

LifeSpan's internal cable management system directs cords down to the floor through the frame, reducing clutter and promoting safety.

Proper Usage

Personnel education and training

LifeSpan ensures that all LifeSpan Products are equipped with the highest level of safety features, but we go beyond that. First we work with your facilitators to ensure that our active workstations are installed correctly with proper safe distances around equipment and power requirements are met. Then we consult and train your HR representatives to ensure that your employees understand their personal safety responsibility with tips in usage, proper clothing, health and fitness levels.



In addition to this onboarding, we also have a detailed section in each of our owner's manuals to educate and inform. All of our owner's manuals in the packaging of each product.

These tips can also be found online at www.lifespanfitness.com/pages/owners-manuals

Our post-purchase onboarding, along with the built-in safety features, will ensure years of enjoyment, health, and productivity for you and your team.