

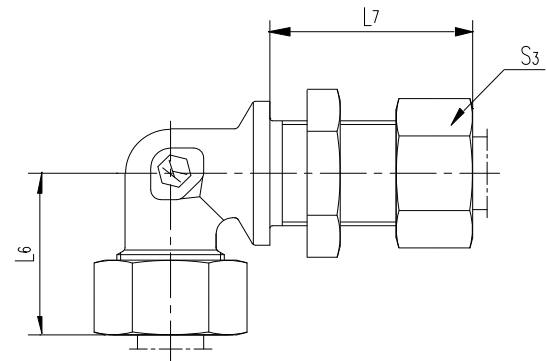
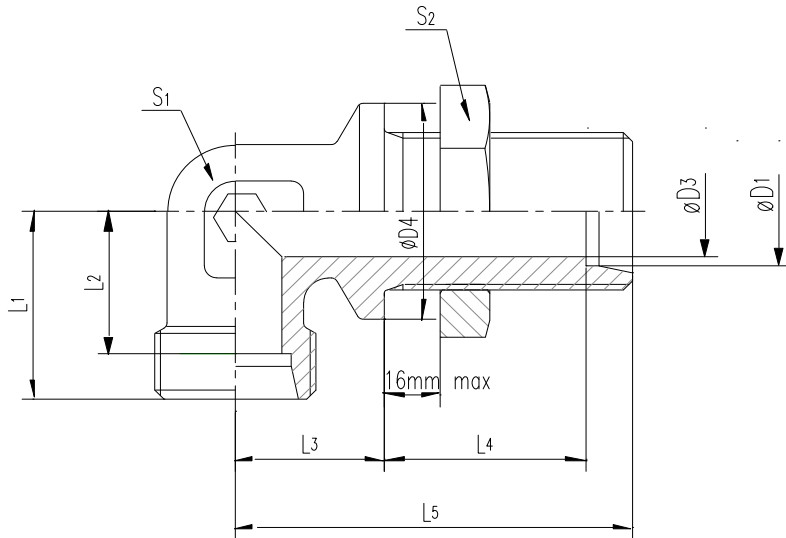
WSV Bulkhead elbow - 24° cone end

WSV Winkelschottstutzen - 24°-Anschluss

PREMOEM
PREMIUM HYDRAULIC SOLUTIONS - GERMANY

Order code without nut and cutting ring
XPGD....(X183...)

Order code with nut and cutting ring
PGD....(183...)



Series	Tube ØD1	D3	D4	L1	L2	L3	L4	L5	L6	L7	S1	S2	S3	Weight g/1 piece	ITEM CODE	ITEM NAME	PN (bar)
L NB	6	4.0	17	19	12.0	14	27.0	48	27	42	12	17	14	51	183200606	PGD6NB	315
	8	6.0	19	21	14.0	17	27.0	51	29	42	12	19	17	61	183200808	PGD8NB	315
	10	8.0	22	22	15.0	18	28.0	53	30	43	14	22	19	95	183201010	PGD10NB	315
	12	10.0	24	24	17.0	20	29.0	56	32	44	17	24	22	99	183201212	PGD12NB	315
	15	12.0	27	28	21.0	23	31.0	61	36	46	19	30	27	161	183201515	PGD15NB	315
	18	15.0	32	31	23.5	24	32.5	64	40	49	24	36	32	237	183201818	PGD18NB	315
	22	19.0	36	35	27.5	30	34.5	72	44	51	27	41	36	303	183202222	PGD22NB	160
	28	24.0	42	38	30.5	34	35.5	77	47	52	36	46	41	467	183202828	PGD28NB	160
	35	30.0	50	45	34.5	39	36.5	86	56	58	41	55	50	709	183203535	PGD35NB	160
	42	36.0	60	51	40.0	43	36.0	90	63	59	50	65	60	1035	183204242	PGD42NB	160
S YB	6	4.0	19	23	16.0	17	29.0	53	31	44	12	19	17	72	183300606	PGD6YB	630
	8	5.0	22	24	17.0	18	29.0	54	32	44	14	22	19	106	183300808	PGD8YB	630
	10	7.0	24	25	17.5	20	29.5	57	34	46	17	24	22	123	183301010	PGD10YB	630
	12	8.0	27	29	21.5	21	30.5	59	38	47	17	27	24	173	183301212	PGD12YB	630
	14	10.0	27	30	22.0	23	32.0	63	40	50	19	30	27	187	183301414	PGD14YB	630
	16	12.0	30	33	24.5	24	31.5	64	43	50	24	32	30	239	183301616	PGD16YB	400
	20	16.0	36	37	26.5	30	33.5	74	48	55	27	41	36	387	183302020	PGD20YB	400
	25	20.0	42	42	30.0	34	35.0	81	54	59	36	46	46	616	183302525	PGD25YB	400
	30	25.0	50	49	35.5	39	37.5	90	62	64	41	50	50	863	183303030	PGD30YB	400
	38	32.0	60	57	41.0	43	37.0	96	72	68	50	65	60	1396	183303838	PGD38YB	315

L= light series
S= heavy series

$\frac{\text{PN (bar)}}{10} = \text{PN (MPa)}$

Zinc plated=Cr(VI)-free