

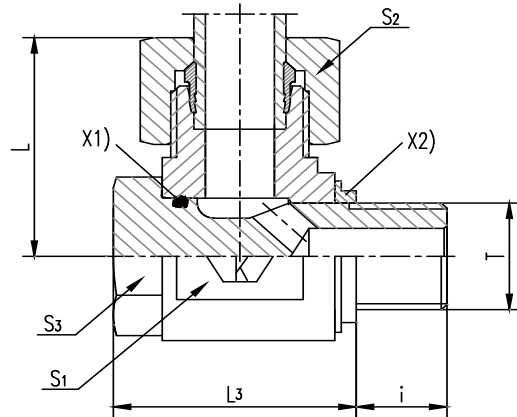
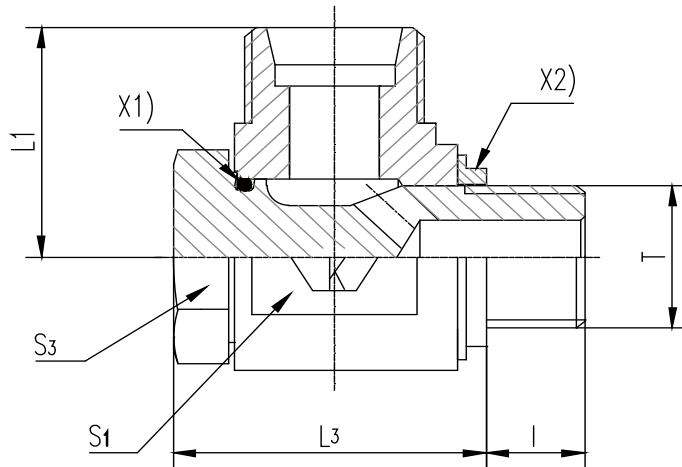
WH BSPP male stud banjo elbow
 WH-R-KDS / 24° cone end

WH-R Zöll. Schwenkverschraubung - 24°-Anschluss/Zöll. Einschraubzapfen metall.D.

PREMOEM
 PREMIUM HYDRAULIC SOLUTIONS - GERMANY

**Order code without nut and cutting ring
 XDD....(X206...)**

**Order code with nut and cutting ring
 DD....(206...)**



X1) O-ring OR
 X2) Soft seal ring KDS

Series	Tube ØD1	T	i	L1	L	L3	S1	S2	S3	O-RING	ITEM CODE	ITEM NAME	PN (bar)
	6	G 1/8A	8	21	27.5	26.5	23	12	14	OR 8.5x1.5	206110602	DD6DBR02CP	100
	8	G 1/8A	8	22	28.5	26.5	23	14	14	OR 8.5x1.5	206110802	DD8DBR02CP	100
L NB	6	G 1/8A	8	23	30.5	26.5	23	14	14	OR 8.5x1.5	206210602	DD6NBR02CP	250
	6	G 1/4A	12	23	30.5	28	23	14	19	OR 11x2	206210604	DD6NBR04CP	250
	8	G 1/4A	12	23	31	28	23	17	19	OR 11x2	206210804	DD8NBR04CP	250
	10	G 1/4A	12	23	31	28	23	19	19	OR 11x2	206211004	DD10NBR04CP	250
	10	G 3/8A	12	26.5	34	33.5	28	19	22	OR 14.5x2	206211006	DD10NBR06CP	250
	12	G 3/8A	12	26.5	34	33.5	28	22	22	OR 14.5x2	206211206	DD12NBR06CP	250
	15	G 1/2A	14	33	41	44	36	27	27	OR 19.5x2	206211508	DD15NBR08CP	250
	18	G 1/2A	14	33	42.5	44	36	32	27	OR 19.5x2	206211808	DD18NBR08CP	160
	22	G 3/4A	16	41	50	48	45	36	32	OR 26x1.5	206212212	DD22NBR12CP	160
	28	G 1A	18	44	53	59	50	41	41	OR 31x2	206212816	DD28NBR16CP	160
	35	G 1 1/4A	20	50	61	70	60	50	50	OR 40x2	206213520	DD35NBR20CP	160
42	G 1 1/2A	22	53.5	65.5	80	70	60	55	OR 46x2	206214224	DD42NBR24CP	160	
S YB	6	G 1/4A	12	23	31	26.5	23	17	19	OR 11x2	206310604	DD6YBR04CP	250
	8	G 1/4A	12	23	31	26.5	23	19	19	OR 11x2	206310804	DD8YBR04CP	250
	10	G 3/8A	12	26.5	35	33.5	28	22	22	OR 14.5x2	206311006	DD10YBR06CP	250
	12	G 3/8A	12	26.5	35	33.5	28	24	22	OR 14.5x2	206311206	DD12YBR06CP	250
	14	G 1/2A	14	33	43	44	36	27	27	OR 19.5x2	206311408	DD14YBR08CP	250
	16	G 1/2A	14	33	43	44	36	30	27	OR 19.5x2	206311608	DD16YBR08CP	160
	20	G 3/4A	16	42	53	48	45	36	32	OR 26x1.5	206312012	DD20YBR12CP	160
	25	G 1A	18	47	59	59	50	46	41	OR 31x2	206312516	DD25YBR16CP	160
	30	G 1 1/4A	20	50	63	70	60	50	50	OR 40x2	206313020	DD30YBR20CP	160
	38	G 1 1/2A	22	53.5	68.5	80	70	60	55	OR 46x2	206313824	DD38YBR24CP	160

LL= very light series

L= light series

S= heavy series

$\frac{PN \text{ (bar)}}{10} = PN \text{ (MPa)}$

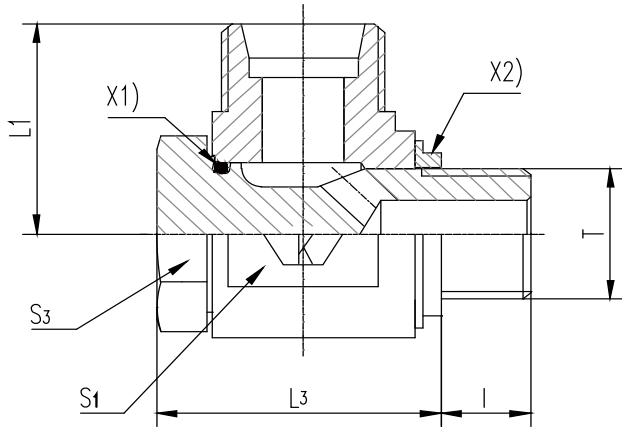
Zinc plated=Cr(VI)-free

WH Metric male stud banjo elbow
 WH-M-KDS / 24° cone end

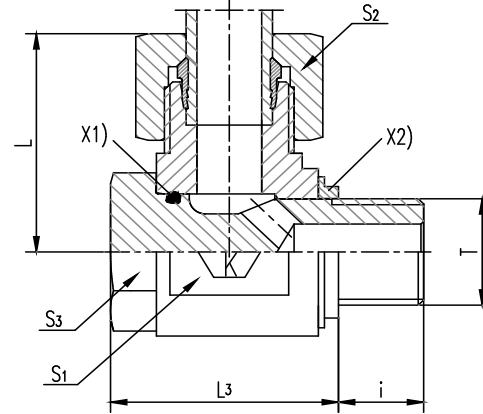
WH-M Metr. Schwenkverschraubung - 24°-Anschluss/Metr. Einschraubzapfen metall.D.

PREMOEM
 PREMIUM HYDRAULIC SOLUTIONS - GERMANY

**Order code without nut and cutting ring
 XDD....(X207...)**



**Order code with nut and cutting ring
 DD....(207...)**



X1) O-ring OR
 X2) Soft seal ring KDS

Series	Tube ØD1	T	i	L1	L	L3	S1	S2	S3	O-RING	ITEM CODE	ITEM NAME	PN (bar)
LL DB	6	M 10x1	8	21	27.5	26.5	23	12	14	OR 8.5x1.5	207120610	DD6DBM10CP	100
	8	M 10x1	8	22	28.5	26.5	23	14	14	OR 8.5x1.5	207120810	DD8DBM10CP	100
L NB	6	M 10x1	8	23	30.5	26.5	23	14	14	OR 8.5x1.5	207220610	DD6NBM10CP	250
	8	M 12x1.5	12	23	31	28	23	17	19	-	207220812	DD8NBM12CP	250
	10	M 14x1.5	12	23	31	28	23	19	19	OR 11x2	207221014	DD10NBM14CP	250
	12	M 16x1.5	12	26.5	34	33.5	28	22	22	OR 14.5x2	207221216	DD12NBM16CP	250
	15	M 18x1.5	14	33	41	44	36	27	22	OR 14.5x2	207221518	DD15NBM18CP	250
	18	M 22x1.5	14	33	42.5	44	36	32	27	OR 19.5x2	207221822	DD18NBM22CP	160
	22	M 26x1.5	16	41	50	48	45	36	32	OR 26x1.5	207222226	DD22NBM26CP	160
	28	M 33x2	18	44	53	59	50	41	41	OR 31x2	207222833	DD28NBM33CP	160
	35	M 42x2	20	50	61	70	60	50	50	OR 40x2	207223542	DD35NBM42CP	160
S YB	42	M 48x2	22	53.5	65.5	80	70	60	55	OR 46X2	207224248	DD42NBM48CP	160
	6	M 12x1.5	12	23	31	26.5	23	17	19	-	207320612	DD6YBM12CP	250
	8	M 14x1.5	12	23	31	26.5	23	19	19	OR 11x2	207320814	DD8YBM14CP	250
	10	M 16x1.5	12	26.5	35	33.5	28	22	22	OR 14.5x2	207321016	DD10YBM16CP	250
	12	M 18x1.5	12	26.5	35	33.5	28	24	22	OR 14.5x2	207321218	DD12YBM18CP	250
	14	M 20x1.5	14	33	43	44	36	27	27	-	207321420	DD14YBM20CP	250
	16	M 22x1.5	14	33	43	44	36	30	27	OR 19.5x2	207321622	DD16YBM22CP	160
	20	M 27x2	16	42	53	48	45	36	32	OR 26x1.5	207322027	DD20YBM27CP	160
	25	M 33x2	18	44	59	59	50	46	41	OR 31x2	207322533	DD25YBM33CP	160
30	M 42x2	20	50	63	70	60	50	50	OR 40x2	207323042	DD30YBM42CP	160	
38	M 48x2	22	53.5	68.5	80	70	60	55	OR 46X2	207323848	DD38YBM48CP	160	

LL= very light series

L= light series

S= heavy series

$\frac{PN \text{ (bar)}}{10} = PN \text{ (MPa)}$

10

Zinc plated=Cr(VI)-free