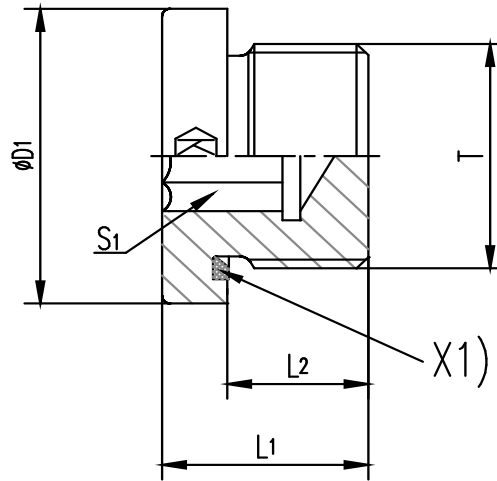


VSTI M/R-ED Blanking plug for ports
 Male metric thread-ED-seal (ISO 9974)
 Male BSPP thread-ED-seal (ISO 1179)

VSTI M/R-ED Verschluss-Stopfen für Einschraublöcher - Metr./Zöll. Einschraubzapfen

PREMOEM
 PREMIUM HYDRAULIC SOLUTIONS - GERMANY

Order code
 ALKT (R)....(510...)
 ALKT (M)....(511...)



X1) Elastic-sealing ED

T	ØD1	L1	L2	S1	Weight g/1 piece	ITEM CODE	ITEM NAME	PN (bar)
G 1/8" A	14	12	8	5	6,5	510010202	ALKT1/8"PLX	400
G 1/4" A	19	17	12	6	17	510010404	ALKT1/4"PLX	400
G 3/8" A	22	17	12	8	25	510010606	ALKT3/8"PLX	400
G 1/2" A	27	19	14	10	41	510010808	ALKT1/2"PLX	400
G 3/4" A	32	21	16	12	93	510011212	ALKT3/4"PLX	400
G 1" A	40	22.5	16	17	118	510011616	ALKT1"PLX	400
G 1 1/4" A	50	22.5	16	22	192	510012020	ALKT1 1/4"PLX	315
G 1 1/2" A	55	22.5	16	24	253	510012424	ALKT1 1/2"PLX	315
M10x1	14	12	8	5	7	511021010	ALKTM10PLX	400
M12x1.5	17	17	12	6	12	511021212	ALKTM12PLX	400
M14x1.5	19	17	12	6	18	511021414	ALKTM14PLX	400
M16x1.5	22	17	12	8	23	511021616	ALKTM16PLX	400
M18x1.5	24	17	12	8	30	511021818	ALKTM18PLX	400
M20x1.5	26	19	14	10	37	511022020	ALKTM20PLX	400
M22x1.5	27	19	14	10	46	511022222	ALKTM22PLX	400
M26x1.5	32	21	16	12	71	511022626	ALKTM26PLX	400
M27x2	32	21	16	12	79	511022727	ALKTM27PLX	400
M33x2	40	22.5	16	17	130	511023333	ALKTM33PLX	400
M42x2	50	22.5	16	22	195	511024242	ALKTM42PLX	315
M48x2	55	22.5	16	24	263	511024848	ALKTM48PLX	315

Pressure shown= item deliverable

$$\frac{\text{PN (bar)}}{10} = \text{PN (MPa)}$$

Zinc plated=Cr(VI)-free