

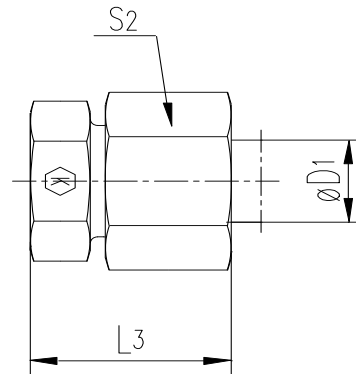
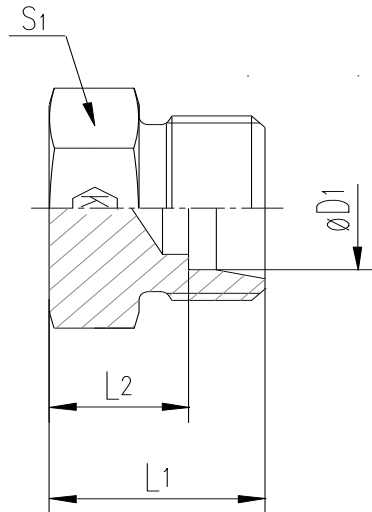
ROV Blanking plug for tube ends
24° cone end

ROV Verschluss-Stutzen für Rohrenden-24° Anschluss

PREMOEM
PREMIUM HYDRAULIC SOLUTIONS - GERMANY

Order code without nut and cutting ring
XBTAP....(X320...)

Order code with nut and cutting ring
BTAP....(320...)



Series	Tube ØD1	L1	L2	L3	S1	S2	Weight g/1 piece	ITEM CODE	ITEM NAME	PN (bar)
L NB	6	14	7.0	22	12	14	8	320200606	BTAP6NB	315
	8	15	8.0	23	14	17	13	320200808	BTAP8NB	315
	10	16	9.0	24	17	19	17	320201010	BTAP10NB	315
	12	17	10.0	25	19	22	24	320201212	BTAP12NB	315
	15	18	11.0	26	24	27	41	320201515	BTAP15NB	315
	18	19	11.5	28	27	32	56	320201818	BTAP18NB	315
	22	21	13.5	30	32	36	84	320202222	BTAP22NB	160
	28	22	14.5	31	41	41	138	320202828	BTAP28NB	160
	35	25	14.5	36	46	50	203	320203535	BTAP35NB	160
	42	27	16.0	39	55	60	318	320204242	BTAP42NB	160
S YB	6	18	11.0	26	14	17	17	320300606	BTAP6YB	630
	8	20	13.0	28	17	19	28	320300808	BTAP8YB	630
	10	20	12.5	29	19	22	33	320301010	BTAP10YB	630
	12	22	14.5	31	22	24	50	320301212	BTAP12YB	630
	14	24	16.0	34	24	27	62	320301414	BTAP14YB	630
	16	24	15.5	34	27	30	75	320301616	BTAP16YB	400
	20	28	17.5	39	32	36	125	320302020	BTAP20YB	400
	25	32	20.0	44	41	46	229	320302525	BTAP25YB	400
	30	34	20.5	47	46	50	310	320303030	BTAP30YB	400
	38	39	23.0	54	55	60	508	320303838	BTAP38YB	315

L= light series

S= heavy series

$\frac{\text{PN (bar)}}{10} = \text{PN (MPa)}$

Zinc plated=Cr(VI)-free